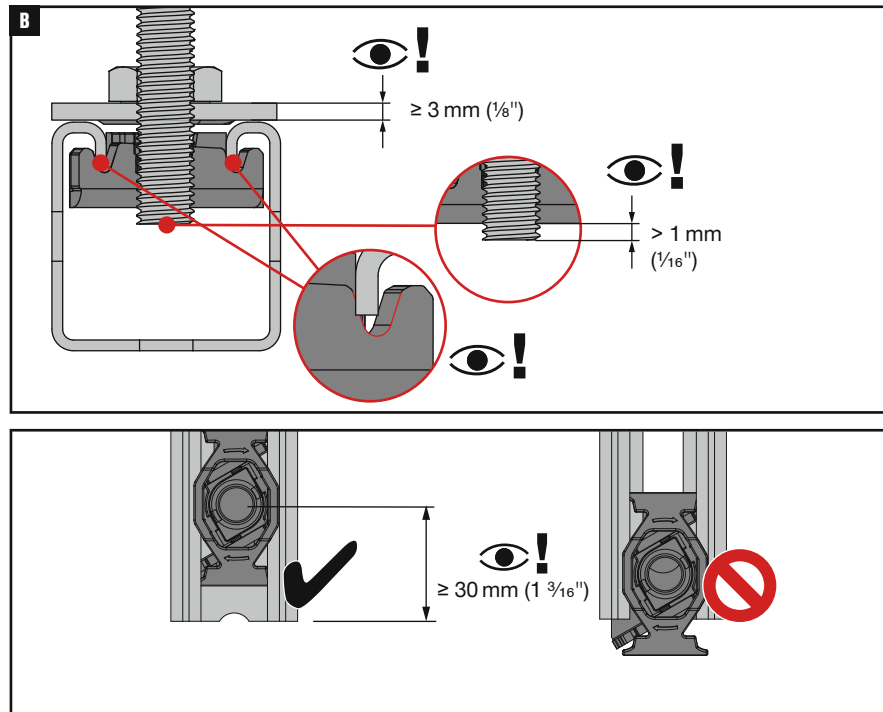
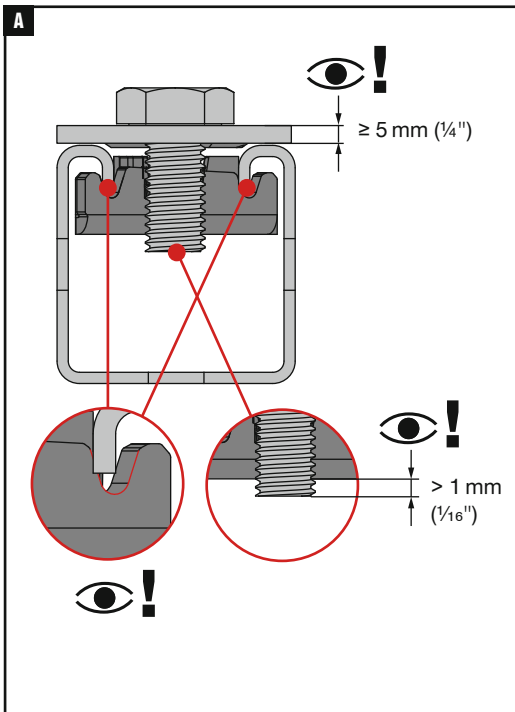
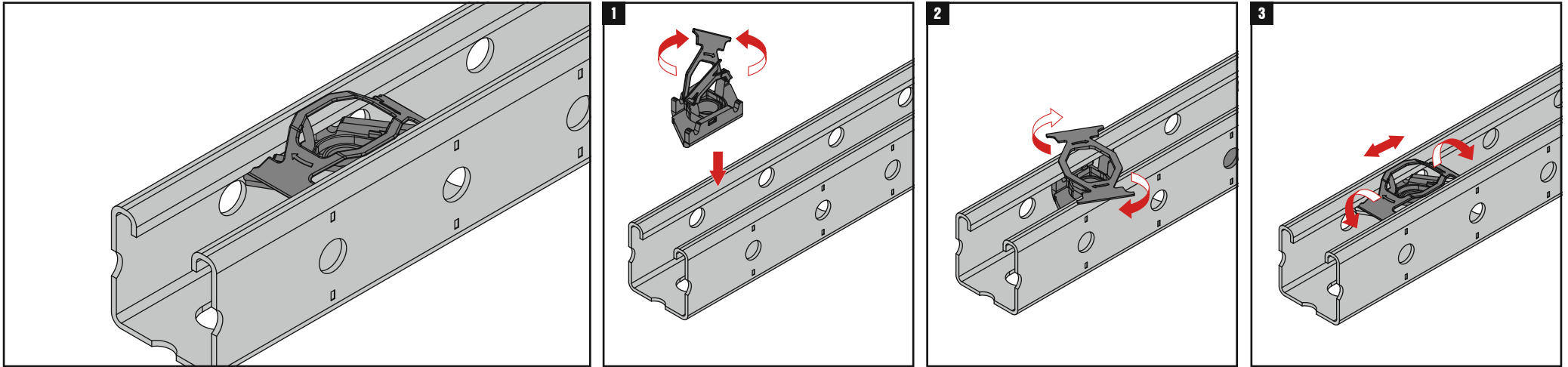

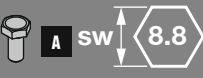





MT-TL M12 / MT-TL M16 / MT-TL 1/2" / MT-TL 5/8" / MT-TL M12 OC / MT-TL M16 OC / MT-TL 1/2" OC / MT-TL 5/8" OC

2435612-03.2025



	 	
MT-TL M12		
MT-TL 1/2"	60 Nm (44 ft-lb)	30 Nm (22 ft-lb)
MT-TL M12 OC		
MT-TL 1/2" OC		
MT-TL M16		
MT-TL 5/8"	60 Nm (44 ft-lb)	40 Nm (30 ft-lb)
MT-TL M16 OC		
MT-TL 5/8" OC		