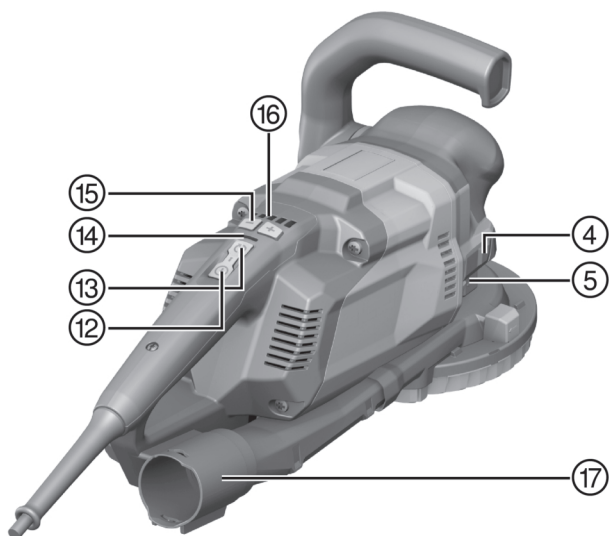
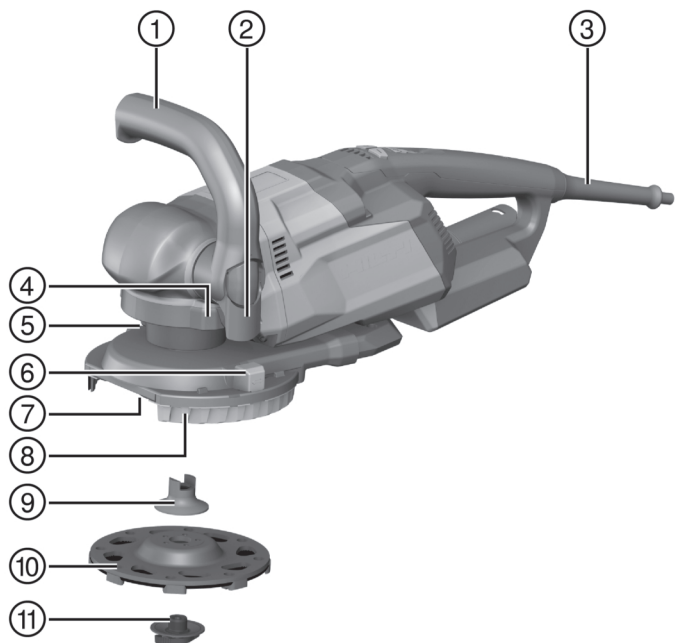


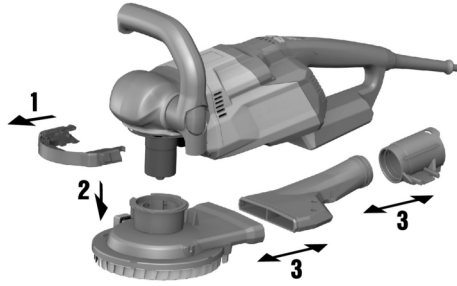


DGH 150

English	1
Français	11
Español	23
Português	35



2



DGH 150

en	English	1
fr	Français	11
es	Español	23
pt	Português	35

English

1 Information about the operating instructions

1.1 About these operating instructions

- **Warning!** Read and understand all accompanying documentation, including but not limited to instructions, safety warnings, illustrations, and specifications provided with this product. Familiarize yourself with all the instructions, safety warnings, illustrations, specifications, components, and functions of the product before use. Failure to do so may result in electric shock, fire, and/or serious injury. Save all warnings and instructions for future reference.
- products are designed for professional users and only trained, authorized personnel are permitted to operate, service and maintain the products. This personnel must be specifically informed about the possible hazards. The product and its ancillary equipment can present hazards if used incorrectly by untrained personnel or if used not in accordance with the intended use.
- The accompanying documentation corresponds to the current state of the art at the time of printing. Please always check for the latest version on the product's page on Hilti's website. To do this, follow the link or scan the QR code in this documentation, marked with the symbol .
- Ensure that these operating instructions are with the product when it is given to other persons.

1.2 Explanation of symbols used

1.2.1 Warnings

Warnings alert persons to hazards that occur when handling or using the product. The following signal words are used:

DANGER

DANGER !

- ▶ Draws attention to imminent danger that will lead to serious personal injury or fatality.

WARNING

WARNING !

- ▶ Draws attention to a potential threat of danger that can lead to serious injury or fatality.

CAUTION

CAUTION !

- ▶ Draws attention to a potentially dangerous situation that could lead to personal injury or damage to the equipment or other property.

1.2.2 Symbols in the operating instructions

The following symbols are used in these operating instructions:

	Comply with the operating instructions
	Instructions for use and other useful information
	Dealing with recyclable materials
	Do not dispose of electric equipment and batteries as household waste

1.2.3 Symbols in illustrations

The following symbols are used in illustrations:

	These numbers refer to the illustrations at the beginning of these operating instructions.
	The numbering reflects the sequence of operations shown in the illustrations and may deviate from the steps described in the text.



	Item reference numbers are used in the overview illustration and refer to the numbers used in the key in the product overview section.
	These characters are intended to specifically draw your attention to certain points when handling the product.

1.3 Product-dependent symbols

1.3.1 Symbols on the product

The following symbols can be used on the product:

	Wear eye protection
	Wear a hard hat
	Wear ear protection
	Wear protective gloves
	Wear light respiratory protection
	Wear protective clothing
	Risk of electric shock.
	Risk of crushing parts of the body.
	Warning: Hot surface
RPM	Revolutions per minute
n_0	Rated speed under no load
\varnothing	Diameter
	Alternating current
	Protection class II (double-insulated)
	The power tool supports near-field communication (NFC) technology, which is compatible with iOS and Android platforms.
	Use the side handle
	If applied on the product, the product has been certified by this certification body for the US and Canadian markets according to the applicable standards.

1.4 Product information

products are designed for professional users and only trained, authorized personnel are permitted to operate, service and maintain the products. This personnel must be specifically informed about the possible hazards. The product and its ancillary equipment can present hazards if used incorrectly by untrained personnel or if used not in accordance with the intended use.

The type designation and serial number are printed on the rating plate.

- ▶ Write down the serial number in the table below. You will be required to state the product details when contacting Hilti Service or your local Hilti organization to inquire about the product.

Product information

Type:	DGH 150
Generation:	01
Serial no.:	



2 Safety

2.1 General power tool safety warnings

⚠ WARNING Read all safety warnings, instructions, illustrations and specifications provided with this power tool. Failure to follow all instructions listed below may result in electric shock, fire and/or serious injury. **Save all warnings and instructions for future reference.**

The term "power tool" in the warnings refers to your mains-operated (corded) power tool or battery-operated (cordless) power tool.

Work area safety

- ▶ **Keep work area clean and well lit.** Cluttered or dark areas invite accidents.
- ▶ **Do not operate power tools in explosive atmospheres, such as in the presence of flammable liquids, gases or dust.** Power tools create sparks which may ignite the dust or fumes.
- ▶ **Keep children and bystanders away while operating a power tool.** Distractions can cause you to lose control.

Electrical safety

- ▶ **Power tool plugs must match the outlet. Never modify the plug in any way. Do not use any adapter plugs with earthed (grounded) power tools.** Unmodified plugs and matching outlets will reduce risk of electric shock.
- ▶ **Avoid body contact with earthed or grounded surfaces, such as pipes, radiators, ranges and refrigerators.** There is an increased risk of electric shock if your body is earthed or grounded.
- ▶ **Do not expose power tools to rain or wet conditions.** Water entering a power tool will increase the risk of electric shock.
- ▶ **Do not abuse the cord. Never use the cord for carrying, pulling or unplugging the power tool. Keep cord away from heat, oil, sharp edges or moving parts.** Damaged or entangled cords increase the risk of electric shock.
- ▶ **When operating a power tool outdoors, use an extension cord suitable for outdoor use.** Use of a cord suitable for outdoor use reduces the risk of electric shock.
- ▶ **If operating a power tool in a damp location is unavoidable, use a residual current device (RCD) protected supply.** Use of an RCD reduces the risk of electric shock.

Personal safety

- ▶ **Stay alert, watch what you are doing and use common sense when operating a power tool. Do not use a power tool while you are tired or under the influence of drugs, alcohol or medication.** A moment of inattention while operating power tools may result in serious personal injury.
- ▶ **Use personal protective equipment. Always wear eye protection.** Protective equipment such as a dust mask, non-skid safety shoes, hard hat or hearing protection used for appropriate conditions will reduce personal injuries.
- ▶ **Prevent unintentional starting. Ensure the switch is in the off-position before connecting to power source and/or battery pack, picking up or carrying the tool.** Carrying power tools with your finger on the switch or energising power tools that have the switch on invites accidents.
- ▶ **Remove any adjusting key or wrench before turning the power tool on.** A wrench or a key left attached to a rotating part of the power tool may result in personal injury.
- ▶ **Do not overreach. Keep proper footing and balance at all times.** This enables better control of the power tool in unexpected situations.
- ▶ **Dress properly. Do not wear loose clothing or jewellery. Keep your hair and clothing away from moving parts.** Loose clothes, jewellery or long hair can be caught in moving parts.
- ▶ **If devices are provided for the connection of dust extraction and collection facilities, ensure these are connected and properly used.** Use of dust collection can reduce dust-related hazards.
- ▶ **Do not let familiarity gained from frequent use of tools allow you to become complacent and ignore tool safety principles.** A careless action can cause severe injury within a fraction of a second.

Power tool use and care

- ▶ **Do not force the power tool. Use the correct power tool for your application.** The correct power tool will do the job better and safer at the rate for which it was designed.
- ▶ **Do not use the power tool if the switch does not turn it on and off.** Any power tool that cannot be controlled with the switch is dangerous and must be repaired.
- ▶ **Disconnect the plug from the power source and/or remove the battery pack, if detachable, from the power tool before making any adjustments, changing accessories, or storing power tools.** Such preventive safety measures reduce the risk of starting the power tool accidentally.



- ▶ **Store idle power tools out of the reach of children and do not allow persons unfamiliar with the power tool or these instructions to operate the power tool.** Power tools are dangerous in the hands of untrained users.
- ▶ **Maintain power tools and accessories. Check for misalignment or binding of moving parts, breakage of parts and any other condition that may affect the power tool's operation. If damaged, have the power tool repaired before use.** Many accidents are caused by poorly maintained power tools.
- ▶ **Keep cutting tools sharp and clean.** Properly maintained cutting tools with sharp cutting edges are less likely to bind and are easier to control.
- ▶ **Use the power tool, accessories and tool bits etc. in accordance with these instructions, taking into account the working conditions and the work to be performed.** Use of the power tool for operations different from those intended could result in a hazardous situation.
- ▶ **Keep handles and grasping surfaces dry, clean and free from oil and grease.** Slippery handles and grasping surfaces do not allow for safe handling and control of the tool in unexpected situations.

Service

- ▶ **Have your power tool serviced by a qualified repair person using only identical replacement parts.** This will ensure that the safety of the power tool is maintained.

2.2 Safety instructions for all operations

Safety warnings common for grinding or sanding operations:

- ▶ **This power tool is intended to function as a grinder or sander. Read all safety warnings, instructions, illustrations and specifications provided with this power tool.** Failure to follow all instructions listed below may result in electric shock, fire and/or serious injury.
- ▶ **Operations such as wire brushing, polishing, hole cutting or cutting-off are not to be performed with this power tool.** Operations for which the power tool was not designed may create a hazard and cause personal injury.
- ▶ **Do not convert this power tool to operate in a way which is not specifically designed and specified by the tool manufacturer.** Such a conversion may result in a loss of control and cause serious personal injury.
- ▶ **Do not use accessories which are not specifically designed and specified by the tool manufacturer.** Just because the accessory can be attached to your power tool, it does not assure safe operation.
- ▶ **The rated speed of the accessory must be at least equal to the maximum speed marked on the power tool.** Accessories running faster than their rated speed can break and fly apart.
- ▶ **The outside diameter and the thickness of your accessory must be within the capacity rating of your power tool.** Incorrectly sized accessories cannot be adequately guarded or controlled.
- ▶ **The dimensions of the accessory mounting must fit the dimensions of the mounting hardware of the power tool.** Accessories that do not match the mounting hardware of the power tool will run out of balance, vibrate excessively and may cause loss of control.
- ▶ **Do not use a damaged accessory. Before each use inspect the accessory such as abrasive wheels for chips and cracks, backing pad for cracks, tear or excess wear, wire brush for loose or cracked wires. If power tool or accessory is dropped, inspect for damage or install an undamaged accessory. After inspecting and installing an accessory, position yourself and bystanders away from the plane of the rotating accessory and run the power tool at maximum no-load speed for one minute.** Damaged accessories will normally break apart during this test time.
- ▶ **Wear personal protective equipment. Depending on application, use face shield, safety goggles or safety glasses. As appropriate, wear dust mask, hearing protectors, gloves and workshop apron capable of stopping small abrasive or workpiece fragments.** The eye protection must be capable of stopping flying debris generated by various applications. The dust mask or respirator must be capable of filtering particles generated by the particular application. Prolonged exposure to high intensity noise may cause hearing loss.
- ▶ **Keep bystanders a safe distance away from work area. Anyone entering the work area must wear personal protective equipment.** Fragments of workpiece or of a broken accessory may fly away and cause injury beyond immediate area of operation.
- ▶ **Hold the power tool by insulated gripping surfaces only, when performing an operation where the cutting accessory may contact hidden wiring or its own cord.** Cutting accessory contacting a "live" wire may make exposed metal parts of the power tool "live" and could give the operator an electric shock.
- ▶ **Position the cord clear of the spinning accessory.** If you lose control, the cord may be cut or snagged and your hand or arm may be pulled into the spinning accessory.



- ▶ **Never lay the power tool down until the accessory has come to a complete stop.** The spinning accessory may grab the surface and pull the power tool out of your control.
- ▶ **Do not run the power tool while carrying it at your side.** Accidental contact with the spinning accessory could snag your clothing, pulling the accessory into your body.
- ▶ **Regularly clean the power tool's air vents.** The motor's fan will draw the dust inside the housing and excessive accumulation of powdered metal may cause electrical hazards.
- ▶ **Do not operate the power tool near flammable materials.** Sparks could ignite these materials.
- ▶ **Do not use accessories that require liquid coolants.** Using water or other liquid coolants may result in electrocution or shock.

Kickback and related warnings

Kickback is a sudden reaction to a pinched or snagged rotating wheel, backing pad, brush or any other accessory. Pinching or snagging causes rapid stalling of the rotating accessory which in turn causes the uncontrolled power tool to be forced in the direction opposite of the accessory's rotation at the point of the binding.

For example, if an abrasive wheel is snagged or pinched by the workpiece, the edge of the wheel that is entering into the pinch point can dig into the surface of the material causing the wheel to climb out or kick out. The wheel may either jump toward or away from the operator, depending on direction of the wheel's movement at the point of pinching. Abrasive wheels may also break under these conditions.

Kickback is the result of power tool misuse and / or incorrect operating procedures or conditions and can be avoided by taking proper precautions as given below.

- ▶ **Maintain a firm grip with both hands on the power tool and position your body and arms to allow you to resist kickback forces. Always use auxiliary handle, if provided, for maximum control over kickback or torque reaction during start-up.** The operator can control torque reactions or kickback forces, if proper precautions are taken.
- ▶ **Never place your hand near the rotating accessory.** Accessory may kickback over your hand.
- ▶ **Do not position your body in the area where power tool will move if kickback occurs.** Kickback will propel the tool in direction opposite to the wheel's movement at the point of snagging.
- ▶ **Use special care when working corners, sharp edges etc. Avoid bouncing and snagging the accessory.** Corners, sharp edges or bouncing have a tendency to snag the rotating accessory and cause loss of control or kickback.
- ▶ **Do not attach a saw chain woodcarving blade, segmented diamond wheel with a peripheral gap greater than 10 mm or toothed saw blade.** Such blades create frequent kickback and loss of control.

Safety warnings specific for sanding operations:

- ▶ **Use proper sized sanding disc paper. Follow manufacturers recommendations, when selecting sanding paper.** Larger sanding paper extending too far beyond the sanding pad presents a laceration hazard and may cause snagging, tearing of the disc or kickback.

2.3 Additional safety instructions

Personal safety

- ▶ Do not tamper with or attempt to make alterations to the device.
- ▶ Keep the grips dry, clean and free from oil and grease.
- ▶ Make sure that the side handle is fitted correctly and tightened securely. Always hold the tool firmly with both hands on the grips provided.
- ▶ Take breaks between working and do relaxation and finger exercises to improve the blood circulation in your fingers.
- ▶ The power tool is not intended for use by debilitated persons who have received no special training.
- ▶ Keep the power tool out of reach of children.
- ▶ Do not touch rotating parts. Switch the power tool on only after it is in position at the workpiece. Touching rotating parts, especially rotating accessory tools, can result in injury.
- ▶ Grinding can produce hazardous grinding dust. Before starting work, check the hazard class of the dust that will be produced by grinding operations. When working with the power tool, whenever possible use a dust extractor with an officially approved protection class in compliance with the locally applicable dust protection regulations.
- ▶ Dust from materials such as lead-based paint, certain types of wood and concrete/masonry/stone containing quartz, minerals or metal can be harmful to health. Contact with or inhalation of the dust can cause allergic reactions and/or respiratory or other diseases among operators or bystanders. Certain kinds of dust such as oakwood and beechwood dust are classified as carcinogenic, especially in conjunction with additives for wood conditioning (chromate, wood preservative). Only specialists are permitted to handle material containing asbestos. **Use a dust extractor whenever possible. To**



achieve a high level of dust collection, use a suitable dust extractor. If necessary, wear a respirator appropriate for the type of dust generated. Make sure that the workplace is well ventilated. Comply with national regulations applicable to the materials you will be working with.

- ▶ Before starting grinding work, carefully remove all protruding parts such as nails, screws, etc.
- ▶ Grinding can produce flying sparks. Make sure that no-one is endangered.
- ▶ Grinding wheels must be stored and handled carefully in accordance with the manufacturer's instructions.
- ▶ Secure the workpiece. Use clamps or a bench vise to hold the workpiece in position. The workpiece is thus held more securely than by hand and both hands remain free to operate the product.

Power tool use and care

- ▶ Always before starting work, and this also applies after each break, check that the accessory tool is secure.

Electrical safety

- ▶ Before beginning work, check the working area (e.g. using a metal detector) to ensure that no concealed electric cables or gas and water pipes are present. External metal parts on the power tool can become live, for example if you inadvertently damage electric wiring. This presents a serious risk of electric shock.
- ▶ Check the machine's supply cord at regular intervals and have it replaced by a qualified specialist if found to be damaged. If the machine's supply cord is damaged it must be replaced with a specially prepared and approved supply cord available from Hilti Customer Service. Check extension cords at regular intervals and replace them if found to be damaged. Do not touch the supply cord or extension cord if it is damaged while working. Disconnect the supply cord plug from the power outlet. Damaged supply cords or extension cords present a risk of electric shock.
- ▶ Have dirtied or dusty power tools that are used frequently for working on conductive materials checked at regular intervals by Hilti Service. Dust (especially dust from conductive materials) or dampness on the surface of the power tool can, under unfavorable conditions, lead to electric shock.

Personal safety

- ▶ Make sure that the workplace is well ventilated. It is advisable to wear a filter class P2 dust mask.
- ▶ The diamond cup wheel, parts of the guard or the power tool (gear head) can become hot in use. To avoid burns, do not touch these parts unless you are wearing gloves.

Additional notes on the use of the guards

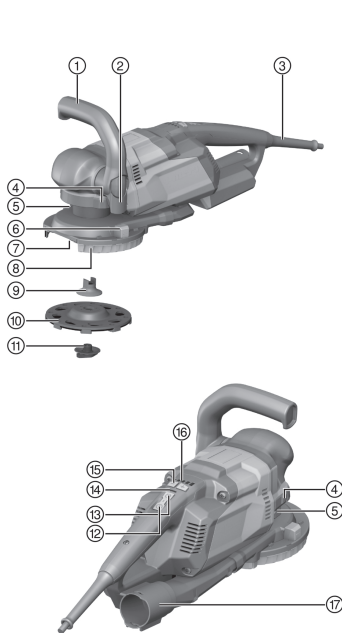
To avoid the risks below, always use the correct guard.

- ▶ If the standard guard is used for surface grinding, the guard can touch the workpiece and thus lead to loss of control.
- ▶ If the standard guard is used with or without front cover for grinding concrete or masonry, there is a higher dust load and an increased risk of losing control of the product, which can lead to kickbacks.



3 Description

3.1 Product overview



- ① Side handle
- ② Clamping lever, side handle
- ③ Supply cord
- ④ Release buttons, bow grip
- ⑤ Height adjustment of the guard
- ⑥ Adjusting lever for segment opening
- ⑦ Segment opening
- ⑧ Guard with lamellar seal
- ⑨ Mounting flange
- ⑩ Diamond cup wheel
- ⑪ **Keyless** quick-action clamping screw
- ⑫ On/off button
- ⑬ Locking button for continuous operation
- ⑭ LED status indicator
- ⑮ Buttons for gear selection
- ⑯ Gear indicator
- ⑰ Connector for dust extraction

3.2 Intended use

The product described is an electrically powered diamond grinder for dry-grinding and fine-grinding mineral materials. Use the diamond grinder only in combination with a dust extractor.

The grinder is designed exclusively for dry abrasive removal of uncoated mineral materials and thin coatings on concrete and similar mineral materials, with a maximum layer thickness of 3 mm (0.12 in).

3.3 Inadmissible misuse

Do not use accessory tools that are not approved for this product. This includes cut-off wheels, diamond cut-off wheels and rotary wire brushes.

Do not use the product for wet grinding, do not grind projecting objects such as nails or screws.

Do not use the product with if slats on the dust hood are worn; never use the product without a dust extractor. Never use the grinding pad at a speed for which it is not approved.

Static electricity can disable the product's electronics. Use an anti-static suction hose in order to avoid electrostatic effects.

3.4 Items supplied

Grinder, operating instructions, mounting flange, **Keyless** quick-action clamping screw.

Other system products approved for use with this product can be found at your local **Hilti Store** or at: www.hilti.group

4 Technical data



For rated voltage, rated current, frequency and/or input power, refer to the country-specific type identification plate.



If the device is powered by a generator or transformer, the generator or transformer's power output must be at least twice the rated input power shown on the rating plate of the device. The operating voltage of the transformer or generator must always be within +5 % and -15 % of the rated voltage of the device.

Revolutions per minute (stage 1)	3,300 /min
Revolutions per minute (stage 2)	4,125 /min
Revolutions per minute (stage 3)	4,950 /min
Revolutions per minute (stage 4)	5,775 /min
Revolutions per minute (stage 5)	6,600 /min
Rated speed under no load	7,000 /min
Disc diameter	6 in
Disc thickness	4 mm ... 4.5 mm (0.2 in ... 0.18 in)
Thread diameter	M6

5 Preparations at the workplace

CAUTION

Risk of injury! Inadvertent starting of the product.

- ▶ Unplug the supply cord before making adjustments to the power tool or before changing accessories.

Observe the safety instructions and warnings in this documentation and on the product.

5.1 Installing an accessory tool

CAUTION

Risk of damage and risk of injury due to damaged Keyless quick-action clamping screw. The **Keyless** quick-action clamping screw can snap off if it is overtightened.

- ▶ Never use a tool to tighten the **Keyless** quick-action clamping screw. Tighten it by hand only.

1. Clean the tool holder.
2. Slip the mounting flange on to the arbor and turn the mounting flange until it engages.
3. Position the accessory tool on the centering collar of the mounting flange.
4. Screw the quick-action clamping screw into the arbor and tighten the screw by hand.

5.2 Removing the accessory tool

1. Slacken the clamping nut.
2. Remove the accessory tool.

5.3 Adjusting the side handle

1. To release the side handle, open the clamping lever.
2. Adjust the side handle to the desired position.
3. Close the clamping lever.

5.4 Adjusting the guard

Situation: The grinder is switched off.

1. Set the grinder on the grinding wheel.
2. Use the height adjuster to adjust the height.
 - ▶ **Optimum height:** approximately 1 mm clearance between slats and surface.
3. If you are working along a corner, turn the segment opening of the guard to the desired position.
4. Be sure to close the segment opening when you finish working along the corner.



5.5 Selecting the gear

1. Use the gear selector switch to select a gear to suit the accessory tool you are going to use and the hardness of the material to be worked.



You can select a gear only when the power tool is connected to the electricity supply.

2. Use 1st gear for better dust control when grinding off soft mineral materials, such as paint from cement rendering, and to make the power tool easier to guide when grinding off coatings from soft materials.
3. Use 5th gear to apply the full power of the tools when grinding hard mineral materials such as concrete, floor screeding or natural stone.

6 Types of work

6.1 Operation



WARNING

Damaged power cords are a safety hazard! If the supply cord or extension cord is damaged while work is in progress, immediately disconnect the device and the cord from the electricity supply. Do not touch the damaged part of the cord.

- ▶ Regularly check all supply cords. Replace defective extension cords. Have damaged power cords replaced by a qualified specialist.

Use of a ground fault circuit interrupter (residual current device, RCD) with a maximum tripping current of 30 mA is recommended.

6.2 Switching on



CAUTION

Risk of injury. Inadequately secured accessory tools can work loose.

- ▶ Before each use, always check that the accessory tool is secure.

1. Connect the grinder to an industrial vacuum cleaner.
2. Lift the power tool clear of the work surface.
3. Press and hold down the on / off switch.
 - ▶ The status LED of the locking button flashes.
4. Press the locking button to switch on the grinder in continuous-operation mode.



The locking button has to be pressed within one second.

6.3 Trying out after fitting a new diamond cup wheel



CAUTION

Risk of injury! Damaged grinding wheels can work loose.

- ▶ Protect the grinding wheels from blows, impacts and grease.
- ▶ Do not use vibrating grinding wheels.
- ▶ Allow the grinder to run for at least 1 minute without load.

6.4 Sanding

1. Select a gear. 9
2. Switch the grinder on. 9
3. Bring the power tool with the accessory tool into contact with the work surface and keep the tool moving with a steady back-and-forth action.
4. Apply moderate pressure and do not dig the tool into the material.
5. The diamond cup wheel can overheat and suffer damage when used to grind very hard mineral materials such as concrete with a high gravel content. Under these circumstances take frequent breaks from grinding and, with the power tool idling, allow the diamond cup wheel to cool down briefly.



6.5 Switching off

- ▶ To switch off the power tool, press the locking button or the on/off switch.

7 Care and maintenance

WARNING

Electric shock hazard! Attempting care and maintenance with the supply cord connected to a power outlet can lead to severe injury and burns.

- ▶ Always unplug the supply cord before carrying out care and maintenance tasks.

Care

- Carefully remove stubborn dirt from the tool.
- Clean the air vents carefully with a dry brush.
- Use only a slightly damp cloth to clean the casing. Do not use cleaning agents containing silicone as they can attack the plastic parts.

Maintenance

WARNING



Danger of electric shock! Improper repairs to electrical components may lead to serious injuries including burns.

- ▶ Repairs to the electrical section of the tool or appliance may be carried out only by trained electrical specialists.
- Check all visible parts and controls for signs of damage at regular intervals and make sure that they all function correctly.
- Do not operate the product if signs of damage are found or if parts malfunction. Have it repaired immediately by Hilti Service.
- After cleaning and maintenance, fit all guards or protective devices and check that they function correctly.



To help ensure safe and reliable operation, use only genuine Hilti spare parts and consumables. Spare parts, consumables and accessories approved by Hilti for use with the product can be found at your local **Hilti Store** or online at: www.hilti.group.



7.1 Cleaning the guard and the suction channel

1. Remove the accessory tool.  8
2. Remove the mounting flange from the arbor.
3. Set the lever for height adjustment to the midway position.
4. Press both release buttons and work the bow-shaped retainer forward to remove.
5. Pull the guard down and clear of the power tool.
6. Remove the suction channel from the connector.
7. Clean the guard, the suction channel and the connector.
8. Connect the suction channel to the connector. Make sure that the O-ring is correctly seated.
9. Connect the guard to the suction channel. Make sure that the O-ring is correctly seated. Slip the guard over the arbor and into the power tool.
10. Secure the guard with the bow-shaped retainer. Make sure that the bow-shaped retainer engages correctly.
11. Install the accessory tool.  8

7.2 Changing the grinding slats



Change the grinding slats when they are worn.

1. Remove the accessory tool.  8
2. Pull the grinding slats out of the guard. Use pliers if necessary.
3. Press the new grinding slats into the groove in the guard until they engage.
4. Install the accessory tool.  8



8 Transport and storage

Transport

- ▶ Do not transport this product with an accessory tool installed.
- ▶ Make sure that the equipment is held securely throughout all transport operations.
- ▶ After transporting, always check all visible parts and controls for signs of damage and make sure that they all function correctly.

Storage

- ▶ Always store this product with the electric supply cable unplugged from the electricity supply.
- ▶ Store this product in a dry place, where it cannot be accessed by children or unauthorized persons.
- ▶ After a long period of storage, always check all visible parts and controls for signs of damage and make sure that they all function correctly.

9 Further information

For more information on operation, technology, environment and recycling, follow this link: qr.hilti.com/manual/?id=2240962

This link is also to be found at the end of the documentation, in the form of a QR code.

10 Disposal

Most of the materials from which **Hilti** tools and appliances are manufactured can be recycled. The materials must be correctly separated before they can be recycled. In many countries, your old tools, machines or appliances can be returned to **Hilti** for recycling. Ask **Hilti** Service or your Hilti representative for further information.



- ▶ Do not dispose of power tools, electronic equipment or batteries as household waste!

11 Manufacturer's warranty

- ▶ Please contact your local **Hilti** representative if you have questions about the warranty conditions.

Français

1 Indications relatives au mode d'emploi

1.1 À propos de ce mode d'emploi

- **Avertissement !** Il convient de lire et comprendre toute la documentation jointe, y compris, sans s'y limiter, les instructions, avertissements de sécurité, illustration et spécifications fournies avec le présent produit. Prenez connaissance de toutes les instructions, avertissements de sécurité, illustrations, spécifications et fonctions du produit avant de l'utiliser. Tout manquement à cette obligation peut entraîner un choc électrique, un incendie, et/ou des blessures graves. Conservez l'ensemble des avertissements et instructions pour consultation ultérieure.
- Les produits sont destinés aux professionnels et ne doivent être utilisés, entretenus et réparés que par un personnel autorisé et formé. Ce personnel doit être spécialement instruit quant aux dangers inhérents à l'utilisation de l'appareil. Le produit et ses accessoires peuvent s'avérer dangereux s'ils sont utilisés de manière incorrecte par un personnel non qualifié ou de manière non conforme à l'usage prévu.
- La documentation ci-jointe correspond à l'état actuel de la technique à la date d'impression. Veuillez toujours consulter la dernière version sur la page du produit sur le site Internet de Hilti. Pour ce faire, suivez le lien ou scannez le code QR dans la documentation, indiqué par le symbole
- Ne pas prêter ou céder le produit à un autre utilisateur sans lui fournir le présent mode d'emploi.

1.2 Explication des symboles

1.2.1 Avertissements

Les avertissements attirent l'attention sur des dangers liés à l'utilisation du produit. Les termes de signalisation suivants sont utilisés :



2240962

Français

11

⚠ DANGER

DANGER !

- Pour un danger imminent qui peut entraîner de graves blessures corporelles ou la mort.

⚠ AVERTISSEMENT

AVERTISSEMENT !

- Pour un danger potentiel qui peut entraîner de graves blessures corporelles ou la mort.

⚠ ATTENTION

ATTENTION !

- Pour une situation potentiellement dangereuse pouvant entraîner des blessures corporelles ou des dégâts matériels.

1.2.2 Symboles dans le manuel d'utilisation

Les symboles suivants sont utilisés dans le présent manuel d'utilisation :

	Respecter le manuel d'utilisation
	Pour des conseils d'utilisation et autres informations utiles
	Maniement des matériaux recyclables
	Ne pas jeter les appareils électriques et les accus dans les ordures ménagères

1.2.3 Symboles dans les illustrations

Les symboles suivants sont utilisés dans les illustrations :

2	Ces chiffres renvoient à l'illustration correspondante au début du présent manuel d'utilisation.
3	La numérotation détermine la séquence des étapes de travail dans l'image et peut se différencier de celles des étapes de travail dans le texte.
11	Les numéros de position sont utilisés dans l'illustration Vue d'ensemble et renvoient aux numéros des légendes dans la section Vue d'ensemble du produit .
	Ce signe doit inviter à manier le produit en faisant particulièrement attention.

1.3 Symboles spécifiques au produit

1.3.1 Symboles sur le produit

Les symboles suivants peuvent être utilisés sur le produit :

	Porter des lunettes de protection
	Porter un casque de protection
	Porter un casque antibruit
	Porter des gants de protection
	Porter un masque respiratoire léger
	Porter des vêtements de protection
	Danger de choc électrique.
	Risque d'écrasement de parties du corps.



	Avertissement, risque de surfaces chaudes
RPM	Tours par minute
n_0	Vitesse nominale à vide
\varnothing	Diamètre
	Courant alternatif
	Classe de protection II (double isolation)
	L'appareil prend en charge la technologie NFC qui est compatible avec les plates-formes iOS et Android.
	Utiliser la poignée latérale
	Si présent sur le produit, c'est que le produit a été certifié conformément aux normes en vigueur par cet organisme de certification pour le marché nord-américain et canadien.

1.4 Informations produit

Les produits sont destinés aux professionnels et ne doivent être utilisés, entretenus et réparés que par un personnel autorisé et formé. Ce personnel doit être spécialement instruit quant aux dangers inhérents à l'utilisation de l'appareil. Le produit et ses accessoires peuvent s'avérer dangereux s'ils sont utilisés de manière incorrecte par un personnel non qualifié ou de manière non conforme à l'usage prévu.

La désignation du modèle et le numéro de série figurent sur sa plaque signalétique.

- ▶ Inscrivez le numéro de série dans le tableau suivant. Les informations produit vous seront demandées lorsque vous contactez nos revendeurs ou services après-vente.

Caractéristiques produit

Type :	DGH 150
Génération :	01
N° de série :	

2 Sécurité

2.1 Indications générales de sécurité pour les appareils électriques

⚠ AVERTISSEMENT Lire toutes les consignes de sécurité et instructions, illustrations et caractéristiques techniques, qui accompagnent cet outil électroportatif. Tout manquement à l'observation des instructions suivantes risque de provoquer une électrocution, un incendie et/ou de graves blessures.

Les consignes de sécurité et instructions doivent être intégralement conservées pour les utilisations futures.

La notion d'« outil électroportatif » mentionnée dans les consignes de sécurité se rapporte à des outils électriques raccordés au secteur (avec câble d'alimentation) et à des outils électriques sur accu (sans câble d'alimentation).

Sécurité sur le lieu de travail

- ▶ **Conserver la zone de travail propre et bien éclairée.** Un lieu de travail en désordre ou mal éclairé augmente le risque d'accidents.
- ▶ **Ne pas faire fonctionner les outils électriques en atmosphère explosive et où se trouvent des liquides, des gaz ou poussières inflammables.** Les outils électriques produisent des étincelles qui peuvent enflammer les poussières ou les fumées.
- ▶ **Maintenir les enfants et les personnes présentes à l'écart pendant l'utilisation de l'outil électroportatif.** En cas d'inattention il y a risque de perdre le contrôle de l'appareil.

Sécurité relative au système électrique

- ▶ **La fiche de secteur de l'outil électroportatif doit être adaptée à la prise de courant. Ne jamais modifier la fiche de quelque façon que ce soit. Ne pas utiliser d'adaptateurs avec des outils électriques à branchement de terre.** Des fiches non modifiées et des prises de courant adaptées réduiront le risque de choc électrique.



- ▶ **Éviter le contact physique avec des surfaces mises à la terre tels que tuyaux, radiateurs, cuisinières et réfrigérateurs.** Il y a un risque élevé de choc électrique au cas où votre corps serait relié à la terre.
- ▶ **Ne pas exposer les outils électroportatifs à la pluie ou à l'humidité.** La pénétration d'eau à l'intérieur d'un outil électroportatif augmentera le risque d'un choc électrique.
- ▶ **Ne jamais utiliser le câble de raccordement à d'autres fins que celles prévues, telles que pour porter, accrocher ou débrancher l'outil électroportatif de la prise de courant. Maintenir le câble de raccordement à l'écart de la chaleur, des parties grasses, des bords tranchants ou des parties en mouvement.** Des câbles de raccordement endommagés ou emmêlés augmentent le risque de choc électrique.
- ▶ **Si l'outil électroportatif est utilisé à l'extérieur, utiliser uniquement des câbles de rallonge homologués pour les applications extérieures.** L'utilisation d'un câble de rallonge homologué pour les applications extérieures réduit le risque d'un choc électrique.
- ▶ **Si l'utilisation de l'outil électrique dans un environnement humide ne peut pas être évitée, utiliser un interrupteur de protection contre les courants de court-circuit.** L'utilisation d'un tel interrupteur de protection réduit le risque d'une décharge électrique.

Sécurité des personnes

- ▶ **Rester vigilant, surveiller ce que l'on fait. Faire preuve de bon sens en utilisant l'outil électroportatif. Ne pas utiliser l'outil électroportatif en étant fatigué ou sous l'emprise de l'alcool, de drogues ou de médicaments.** Un moment d'inattention lors de l'utilisation de l'outil électroportatif peut entraîner des blessures graves.
- ▶ **Utiliser un équipement de protection personnel et toujours porter une protection pour les yeux.** Les équipements de protection personnels tels que masque antipoussière, chaussures de sécurité antidérapantes, casque de protection ou protection acoustique suivant l'utilisation de l'outil électroportatif, réduiront le risque de blessures des personnes.
- ▶ **Éviter une mise en service par mégarde. S'assurer que l'outil électroportatif est arrêté avant de le brancher à la source de courant et/ou à l'accu, de le prendre ou de le porter.** Le fait de porter l'outil électroportatif avec le doigt sur l'interrupteur ou de brancher l'appareil sur la source de courant lorsque l'interrupteur est en position de fonctionnement peut entraîner des accidents.
- ▶ **Retirer tout outil de réglage ou toute clé avant de mettre l'outil électroportatif en fonctionnement.** Une clé ou un outil se trouvant sur une partie en rotation peut causer des blessures.
- ▶ **Adopter une bonne posture. Veiller à toujours garder une position stable et équilibrée.** Cela permet un meilleur contrôle de l'outil électroportatif dans des situations inattendues.
- ▶ **S'habiller de manière adaptée. Ne pas porter de vêtements amples ni de bijoux. Garder les cheveux, les vêtements et les gants à distance des parties en mouvement.** Des vêtements amples, des bijoux ou des cheveux longs peuvent être happés par des parties en mouvement.
- ▶ **Si des dispositifs servant à aspirer ou à recueillir les poussières doivent être utilisés, s'assurer qu'ils sont effectivement raccordés et correctement utilisés.** L'utilisation d'un dispositif d'aspiration de la poussière peut réduire les risques dus aux poussières.
- ▶ **Ne pas sous-estimer les mesures de sécurité à prendre et ne pas ignorer sciemment les règles de sécurité applicables aux outils électriques, même si l'on est utilisateur chevronné après de fréquentes utilisations de l'outil électroportatif.** Un manque d'attention peut conduire à de graves blessures en quelques fractions de seconde.

Utilisation et maniement de l'outil électroportatif

- ▶ **Ne pas forcer l'appareil. Utiliser l'outil électroportatif adapté au travail à effectuer.** Un outil électroportatif approprié réalisera mieux le travail et de manière plus sûre au régime pour lequel il a été conçu.
- ▶ **Ne pas utiliser d'outil électroportatif dont l'interrupteur est défectueux.** Tout outil électroportatif qui ne peut plus être mis en ou hors fonctionnement est dangereux et doit être réparé.
- ▶ **Débrancher la fiche de la prise de courant et/ou l'accu amovible avant d'effectuer des réglages sur l'appareil, de changer les accessoires, ou de ranger l'appareil.** Cette mesure de précaution empêche une mise en fonctionnement par mégarde de l'outil électroportatif.
- ▶ **Conserver les outils électroportatifs non utilisés hors de portée des enfants. Ne permettre l'utilisation de l'appareil à aucune personne qui ne soit pas familiarisée avec celui-ci ou qui n'a pas lu ces instructions.** Les outils électroportatifs sont dangereux lorsqu'ils sont entre les mains de personnes non initiées.
- ▶ **Prendre soin des outils électroportatifs et des accessoires. Vérifier que les parties en mouvement fonctionnent correctement et qu'elles ne sont pas coincées, et contrôler si des parties sont cassées ou endommagées de sorte que le bon fonctionnement de l'outil électroportatif s'en trouve entravé. Faire réparer les parties endommagées avant d'utiliser l'appareil.** De nombreux accidents sont dus à des outils électroportatifs mal entretenus.



- ▶ **Garder les outils de coupe affûtés et propres.** Des outils destinés à couper correctement entretenus avec des arêtes de coupe tranchantes sont moins susceptibles de bloquer et sont plus faciles à contrôler.
- ▶ **L'outil électroportatif, les accessoires, les outils amovibles, etc. doivent être utilisés conformément à ces instructions.** Tenir également compte des conditions de travail et du travail à réaliser. L'utilisation des outils électroportatifs à d'autres fins que celles prévues peut entraîner des situations dangereuses.
- ▶ **Veiller à ce que les poignées et surfaces de préhension soient toujours être sèches, propres et exemptes de traces de graisse ou d'huile.** Avec des poignées et surfaces de préhension glissantes, la sécurité et le contrôle de l'outil électroportatif ne peuvent être assurés dans des situations inopinées.

Service

- ▶ **L'outil électroportatif doit uniquement être réparé par un personnel qualifié, utilisant exclusivement des pièces de rechange d'origine.** Ceci permet d'assurer la sécurité de l'outil électroportatif.

2.2 Consignes de sécurité pour tous les travaux

Consignes de sécurité générales pour le meulage et le meulage au papier abrasif :

- ▶ **Cet outil électroportatif doit être utilisé comme meuleuse et ponceuse avec papier abrasif. Tenir compte de toutes les consignes de sécurité, instructions, illustrations et données qui accompagnent l'appareil.** Le non-respect des instructions suivantes peut entraîner un choc électrique, un incendie et/ou de graves blessures sur les personnes.
- ▶ **Cet outil électroportatif ne doit pas être utilisé pour travailler avec des brosses métalliques, polir, découper des trous ou tronçonner.** Les applications pour lesquelles l'outil électroportatif n'est pas prévu peuvent présenter un danger et provoquer des blessures.
- ▶ **Ne pas modifier l'outil électroportatif pour qu'il fonctionne d'une manière non spécialement conçue et spécifiée par le fabricant de l'outil.** Une telle modification peut entraîner une perte de contrôle et causer des blessures graves.
- ▶ **N'utiliser aucun accessoire qui n'a pas été spécifiquement développé et homologué par le fabricant pour cet outil électroportatif.** Le simple fait de pouvoir fixer l'accessoire sur l'outil électroportatif ne garantit pas une utilisation sûre.
- ▶ **La vitesse admissible de l'outil amovible doit au moins être égale à la vitesse supérieure indiquée sur l'outil électroportatif.** Les accessoires dont la vitesse de rotation est supérieure à celle admissible risquent de se briser ou de voltiger.
- ▶ **Le diamètre extérieur et l'épaisseur de l'outil amovible doivent correspondre aux cotes de l'outil électroportatif.** Des outils amovibles mal dimensionnés peuvent ne pas être suffisamment protégés ou contrôlés.
- ▶ **Les outils amovibles munis d'un filetage doivent correspondre exactement au filetage de la broche de meulage.** Dans le cas d'outils amovibles qui sont montés au moyen d'une bride, le diamètre du trou de l'outil amovible doit coïncider avec le diamètre de préhension de la bride. Les outils amovibles qui ne s'adaptent pas exactement à l'outil électroportatif ne tournent pas de manière uniforme, vibrent fortement et risquent d'entraîner une perte de contrôle.
- ▶ **Ne pas utiliser d'outils amovibles endommagés.** Avant chaque utilisation, vérifier que les outils amovibles tels que les disques à meuler ne sont ni écaillés ni fendus, que les plateaux ne sont pas fendus, usés ou fortement détériorés, et que les brosses métalliques n'ont pas de fils manquants ou cassés. En cas de chute de l'outil électroportatif ou de l'outil amovible, contrôler s'il est endommagé et, le cas échéant, utiliser un outil amovible non endommagé. Une fois l'outil amovible contrôlé et monté, l'utilisateur ainsi que les personnes se trouvant à proximité doivent se tenir en dehors du plan de l'outil amovible rotatif et veiller à laisser tourner l'appareil pendant une minute à la vitesse de rotation maximale. Les outils amovibles endommagés se cassent le plus souvent lors de cette période de test.
- ▶ **Porter des équipements de protection individuelle.** Utiliser, selon l'application, une protection du visage, une protection des yeux ou des lunettes de protection. Dans la mesure où ces équipements sont appropriés, porter un masque anti-poussière, un casque antibruit, des gants de protection ou un tablier spécial qui permettent de maintenir à distance les petites particules de matériau et de meulage. Les yeux devraient être protégés contre les corps étrangers projetés en l'air, produits par diverses applications. Les masques anti-poussière ou respiratoire doivent filtrer la poussière résultant de l'utilisation. En cas d'exposition prolongée à un bruit important, il y a risque de perte d'audition.
- ▶ **Veiller à ce que les autres personnes se tiennent à une distance de sécurité de l'espace de travail. Toute personne accédant à l'espace de travail doit porter des équipements de protection individuelle.** Des éclats de la pièce travaillée ou des outils amovibles cassés risquent d'être projetés en l'air et de provoquer des blessures même à l'extérieur de l'espace de travail direct.



- ▶ **Tenir l'outil électroportatif uniquement par les surfaces isolées des poignées lors des travaux pendant lesquels l'outil amovible risque de toucher des câbles électriques cachés ou son propre câble d'alimentation réseau.** Le contact avec un câble sous tension risque aussi de mettre les parties métalliques de l'appareil sous tension et de provoquer une décharge électrique.
- ▶ **Tenir le câble d'alimentation réseau éloigné des outils amovibles rotatifs.** En cas de perte de contrôle de l'appareil, le câble d'alimentation réseau peut être sectionné ou intercepté, et la main ou le bras de l'utilisateur risque de toucher l'outil amovible rotatif.
- ▶ **Ne jamais poser l'outil électroportatif avant que l'outil amovible soit complètement arrêté.** L'outil amovible rotatif peut entrer en contact avec la surface sur laquelle l'outil électroportatif est posé, risquant d'entraîner ainsi une perte de contrôle de l'outil électroportatif.
- ▶ **Ne pas laisser l'outil électroportatif tourner en le portant.** Les vêtements risquent d'être happés par un contact accidentel avec l'outil amovible rotatif et l'outil amovible risque de perforer le corps de l'utilisateur.
- ▶ **Nettoyer régulièrement les fentes de ventilation de l'outil électroportatif.** Le ventilateur du moteur attire la poussière dans le carter, et une forte accumulation de poussière métallique peut représenter des dangers électriques.
- ▶ **Ne pas utiliser l'outil électroportatif à proximité de matériaux inflammables.** Des étincelles risquent d'enflammer ces matériaux.
- ▶ **Ne pas utiliser d'outils amovibles qui requièrent l'utilisation de réfrigérants liquides.** L'utilisation d'eau ou d'autres réfrigérants liquides risque de provoquer une décharge électrique.

Contrecoup et indications de sécurité correspondantes

Un contrecoup est une réaction soudaine d'un outil amovible rotatif qui est resté accroché ou bloqué, comme un disque à meuler, un plateau de ponçage, une brosse métallique, etc. L'accrochage ou le blocage entraîne un arrêt brutal de l'outil amovible rotatif. De ce fait, un outil électroportatif incontrôlé est accéléré, à l'endroit du blocage, dans le sens de rotation opposé à celui de l'outil amovible.

Si par ex. un disque à meuler reste accroché ou se bloque dans la pièce travaillée, l'arête du disque à meuler plongée dans la pièce peut rester accrochée et provoquer l'éclatement du disque à meuler ou un contrecoup. Le disque à meuler se déplace ensuite vers l'utilisateur ou s'éloigne de lui, selon le sens de rotation du disque à l'endroit du blocage. Ici aussi les disques à meuler risquent de se casser.

Un contrecoup est la conséquence d'une mauvaise utilisation ou d'une utilisation incorrecte de l'outil électroportatif. Il peut être évité en prenant les mesures de précaution adaptées telles que décrites ci-dessous.

- ▶ **Tenir l'outil électroportatif bien fermement des deux mains et maintenir le corps et les bras dans une position permettant d'amortir la force de contrecoup. Toujours utiliser la poignée supplémentaire, si celle-ci est présente, afin d'avoir le meilleur contrôle possible sur les forces de contrecoup ou les couples antagonistes lors de l'accélération à pleine vitesse.** L'utilisateur peut maîtriser les forces de contrecoup et antagonistes en prenant les précautions appropriées.
- ▶ **Ne jamais approcher la main des outils amovibles rotatifs.** En cas de contrecoup, l'outil amovible risque d'aller sur la main de l'utilisateur.
- ▶ **Éviter de se tenir dans l'espace dans lequel l'outil électroportatif serait en mouvement en cas de contrecoup.** Le contrecoup entraîne l'outil électroportatif dans le sens opposé au déplacement du disque à l'endroit du blocage.
- ▶ **Travailler avec une extrême prudence dans les coins, arêtes vives, etc. Éviter que les outils amovibles rebondissent sur la pièce à travailler et se coincent.** L'outil amovible rotatif a tendance à se coincer dans les coins, sur les arêtes vives ou lorsqu'il rebondit. Ceci entraîne une perte de contrôle ou un contrecoup.
- ▶ **Ne pas utiliser de lames de scie à chaîne ou dentées, tout comme ne pas utiliser de disques amovibles segmentés présentant des fentes supérieures à 10 mm.** De tels outils amovibles entraînent souvent un contrecoup ou la perte de contrôle de l'outil électroportatif.

Consignes de sécurité particulières pour le meulage et le tronçonnage

- ▶ **Utiliser exclusivement les disques autorisés pour l'outil électroportatif concerné et les carters de protection prévus pour ces disques.** Les disques qui ne sont pas conçus pour l'outil électroportatif peuvent ne pas être suffisamment protégés et ne sont pas sûrs.
- ▶ **Les disques à meuler coudés doivent être montés de sorte que leur surface de meulage ne dépasse pas le bord du carter de protection.** Un disque à meuler monté de manière inappropriée, c.-à-d. dont la surface de meulage dépasse le bord du carter de protection, ne peut pas être suffisamment protégé.
- ▶ **Le carter de protection doit être solidement fixé sur l'outil électroportatif et réglé de manière à atteindre la sécurité maximale, c.-à-d. que la plus petite partie possible du disque doit être ouverte en direction de l'utilisateur.** Le carter de protection doit protéger l'utilisateur des éclats et d'un contact accidentel avec le disque, ainsi que des étincelles qui risquent d'enflammer les vêtements.



- ▶ **Les disques doivent uniquement être utilisés pour les possibilités d'applications homologuées. Par exemple : Ne jamais meuler avec la surface latérale d'un disque à tronçonner.** Les disques à tronçonner sont prévus pour attaquer le matériau avec l'arête du disque. Une action latérale sur ces disques risque de les casser.
- ▶ **Toujours utiliser des brides de serrage en parfait état, de dimensions et de forme adaptées au disque à meuler choisi.** Des brides adaptées soutiennent le disque et réduisent le risque de cassure du disque à meuler. Les brides de serrage destinées aux disques à tronçonner peuvent être différentes des brides pour d'autres disques à meuler.
- ▶ **Ne pas utiliser de disques à meuler usés provenant d'outils électroportatifs plus grands.** Les disques à meuler destinés aux outils électroportatifs plus grands ne sont pas dimensionnés pour les vitesses supérieures des outils électroportatifs plus petits et risquent de se casser.
- ▶ **Avec des disques à double usage, toujours utiliser le carter de protection prévu pour l'application correspondante.** L'utilisation d'un mauvais carter de protection n'offre qu'une protection insuffisante et peut entraîner de graves blessures.

Consignes de sécurité particulières pour le meulage au papier abrasif :

- ▶ **Utiliser uniquement des feuilles abrasives de taille appropriée. Respecter les instructions du fabricant concernant la taille de la feuille abrasive.** Les feuilles abrasives qui dépassent trop du plateau de ponçage peuvent provoquer des blessures et entraîner le blocage, des déchirures des feuilles ou un contrecoup.

2.3 Consignes de sécurité supplémentaires

Sécurité des personnes

- ▶ Toute manipulation ou modification de l'appareil est interdite.
- ▶ Veiller à ce que les poignées soient toujours sèches, propres et exemptes de traces de graisse et d'huile.
- ▶ S'assurer que la poignée latérale est bien montée et correctement serrée. Toujours tenir l'appareil des deux mains par les poignées prévues à cet effet.
- ▶ Faire régulièrement des pauses et des exercices de relaxation et de massage des doigts pour favoriser l'irrigation sanguine dans les doigts.
- ▶ L'appareil n'est pas destiné à être utilisé par des personnes affaiblies sans encadrement.
- ▶ L'appareil doit être tenu à l'écart des enfants.
- ▶ Éviter de toucher des pièces en rotation. Brancher l'appareil seulement une fois arrivé sur le lieu d'intervention. Le fait de toucher des pièces en rotation, en particulier des outils en rotation, risque d'entraîner des blessures.
- ▶ Le ponçage peut générer des poussières dangereuses. Avant le début du travail, prendre connaissance de la classe de risque de la poussière générée lors du ponçage. Pour travailler avec l'appareil, utiliser si possible un aspirateur à poussières avec une classification de sécurité autorisée officiellement et conforme aux dispositions locales concernant les poussières.
- ▶ Les poussières de matériaux telles que des peintures contenant du plomb, certains types de bois, du béton / de la maçonnerie / des pierres naturelles qui contiennent du quartz ainsi que des minéraux et des métaux peuvent être nuisibles à la santé. Le contact ou l'aspiration de poussière peut provoquer des réactions allergiques et/ou des maladies respiratoires de l'utilisateur ou de toute personne se trouvant à proximité. Certaines poussières, telles que des poussières de chêne ou de hêtre, sont réputées être cancérigènes, en particulier lorsqu'elles sont combinées à des additifs destinés au traitement du bois (chromate, produit de protection du bois). Les matériaux contenant de l'amiante doivent seulement être manipulés par un personnel spécialisé. **Utiliser si possible un dispositif d'aspiration de poussière. Pour une aspiration de poussière efficace, il convient d'utiliser un dépoussiéreur mobile adéquat. Le cas échéant, porter un masque antipoussière adapté au type de poussière considérée. Veiller à ce que la place de travail soit bien ventilée. Respecter les prescriptions locales en vigueur qui s'appliquent aux matériaux travaillés.**
- ▶ Avant de commencer le ponçage, enlever soigneusement les éléments saillants tels que par ex. des clous, des vis, etc.
- ▶ Il y a risque d'émission d'étincelles pendant le travail. Veiller à ce que personne ne soit mis en danger.
- ▶ Stocker et manipuler les disques conformément aux instructions du fabricant.
- ▶ Bien fixer la pièce. Utiliser des dispositifs de serrage ou un étau pour fixer la pièce. Elle sera ainsi mieux tenue qu'à la main, et en outre, les deux mains restent libres pour commander le produit.

Utilisation et emploi soigneux de l'outil électroportatif

- ▶ Avant toute mise à service, mais aussi après les interruptions de travail, vérifier que l'outil est bien en place.



Sécurité relative au système électrique

- ▶ Avant d'entamer le travail, vérifier, par exemple à l'aide d'un détecteur de métaux, qu'il n'y a pas de câbles ou gaines électriques, tuyaux de gaz ou d'eau cachés dans la zone d'intervention. Toutes pièces métalliques extérieures de l'appareil peuvent devenir conductrices, par exemple, lorsqu'un câble électrique est endommagé par inadvertance. Cela peut entraîner un grave danger d'électrocution.
- ▶ Contrôler régulièrement les câbles de raccordement de l'appareil et les faire remplacer par un spécialiste s'ils sont endommagés. Si le câble de raccordement de l'appareil électrique est endommagé, il doit être remplacé par un câble de raccordement spécialement préparé et autorisé, disponible auprès du service après-vente. Contrôler régulièrement les câbles de rallonge et les remplacer s'ils sont endommagés. Si le câble d'alimentation réseau ou de rallonge est endommagé pendant le travail, ne pas le toucher. Débrancher la fiche de la prise. Les cordons d'alimentation et câbles de rallonge endommagés représentent un danger d'électrocution.
- ▶ Si le travail s'effectue souvent sur des matériaux conducteurs, faire réviser les appareils encrassés par le S.A.V. Hilti à intervalles réguliers. Dans de mauvaises conditions d'utilisation, la poussière collée à la surface de l'appareil, surtout la poussière de matériaux conducteurs, ou l'humidité, peut entraîner une électrocution.

Sécurité des personnes

- ▶ Veiller à ce que le poste de travail soit bien ventilé. Il est recommandé de porter un masque antipoussière de la classe de filtre P2.
- ▶ La meule assiette diamant, des parties du carter de protection ou de l'appareil (moteur) peuvent devenir très chaudes en cours d'utilisation. Porter impérativement des gants de protection pour toucher ces parties afin d'éviter de se brûler.

Remarques supplémentaires sur l'utilisation des carters de protection

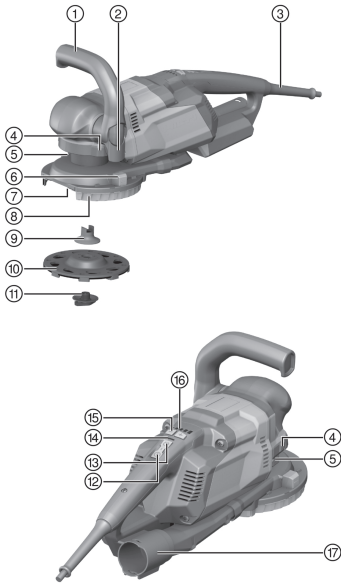
Pour éviter les risques suivants, toujours utiliser le carter de protection approprié.

- ▶ En cas d'utilisation du carter de protection standard pour la rectification plane, le carter de protection peut entrer en contact avec la pièce à travailler et entraîner ainsi une perte de contrôle.
- ▶ L'utilisation du carter de protection standard, avec ou sans cache avant, pour le meulage du béton ou d'ouvrages de maçonnerie entraîne une exposition accrue à la poussière et un risque accru de perte de contrôle du produit, ce qui peut provoquer des contrecoups.



3 Description

3.1 Vue d'ensemble du produit



- ① Poignée latérale
- ② Levier de blocage poignée latérale
- ③ Cordon d'alimentation secteur
- ④ Touches de déverrouillage de l'étrier de maintien
- ⑤ Réglage en hauteur du carter de protection
- ⑥ Levier de réglage pour ouverture de segment
- ⑦ Ouverture du segment
- ⑧ Carter de protection avec joint à lamelles
- ⑨ Flasque support
- ⑩ Meule assiette diamant
- ⑪ Vis à serrage rapide **Keyless**
- ⑫ Touche Marche / Arrêt
- ⑬ Touche de blocage en marche continue
- ⑭ Témoin de fonctionnement à DEL
- ⑮ Touches de sélection de la vitesse
- ⑯ Indication de la vitesse
- ⑰ Raccord pour dispositif d'aspiration de poussières

3.2 Utilisation conforme à l'usage prévu

Le produit décrit est une ponceuse diamant électrique destinée au ponçage à sec et au ponçage fin de matériaux d'origine minérale. Utiliser la ponceuse diamant uniquement en combinaison avec un système d'aspiration.

La ponceuse est exclusivement conçue pour l'enlèvement à sec de matériaux minéraux bruts ainsi que de fines couches de revêtement sur béton ou matériaux minéraux analogues avec une épaisseur de couche maximale de 3 mm (0,12 in).

3.3 Usage non autorisé

N'utiliser aucun accessoire qui n'est pas autorisé pour le produit. Il peut s'agir, entre autres, de disques à tronçonner, de disques diamant et de brosses métalliques.

Ne pas utiliser le produit pour le meulage humide, ne pas meuler d'objets saillants tels que les pointes ou les vis.

Ne pas utiliser le produit avec des lamelles usées sur le capot dépoussiéreur et ne jamais l'utiliser sans dépoussiéreur.

Ne jamais utiliser le bloc de polissage à une vitesse de rotation inadmissible.

La charge électrostatique peut mettre l'électronique du produit hors fonction. Pour éviter tout effet électrostatique, utiliser un flexible d'aspiration antistatique.

3.4 Éléments livrés

Ponceuse, mode d'emploi, flasque support, vis à serrage rapide **Keyless**.

D'autres produits système pour votre produit peuvent être trouvés dans votre **Hilti Store** ou à l'adresse : www.hilti.group



4 Caractéristiques techniques



Les données de tension nominale, courant nominal, fréquence et / ou consommation nominale figurent sur la plaque signalétique spécifique au pays.

En cas d'utilisation avec un groupe électrogène ou un transformateur, leur puissance d'alimentation doit être au moins égale au double de la puissance indiquée sur la plaque signalétique de l'appareil. La tension de service du groupe électrogène ou du transformateur doit être toujours comprise entre +5 % et -15 % par rapport à la tension nominale de l'appareil.

Rotations par minute (niveau 1)	3.300 tr/min
Rotations par minute (niveau 2)	4.125 tr/min
Rotations par minute (niveau 3)	4.950 tr/min
Rotations par minute (niveau 4)	5.775 tr/min
Rotations par minute (niveau 5)	6.600 tr/min
Vitesse de rotation à vide de référence	7.000 tr/min
Diamètre de disque	6 in
Épaisseur du disque	4 mm ... 4,5 mm (0,2 in ... 0,18 in)
Diamètre du filetage	M6

5 Préparatifs

ATTENTION

Risque de blessures ! Mise en marche inopinée du produit.

- ▶ Retirer la fiche de la prise avant d'effectuer des réglages sur l'appareil ou de changer les accessoires.

Bien respecter les consignes de sécurité et les avertissements de la présente documentation ainsi que celles figurant sur le produit.

5.1 Montage de l'outil amovible

ATTENTION

Risque d'endommagement et de blessure dû à une vis à serrage rapide endommagée Keyless. La vis à serrage rapide **Keyless** peut se rompre si elle est serrée trop fort.

- ▶ Ne jamais utiliser un outil pour serrer la vis à serrage rapide **Keyless**. Toujours la serrer à la main uniquement.

1. Nettoyer le porte-outil.
2. Emmancher le flasque support sur la broche et l'enclencher.
3. Mettre l'outil amovible en place sur la nervure de centrage du flasque support.
4. Visser la vis à serrage rapide dans la broche d'entraînement et la serrer à fond à la main.

5.2 Démontage de l'outil amovible

1. Desserrer l'écrou de serrage.
2. Retirer l'outil amovible.

5.3 Réglage de la poignée latérale

1. Pour desserrer la poignée latérale, ouvrir le levier de blocage.
2. Placer la poignée latérale dans la position souhaitée.
3. Fermer le levier de blocage.

5.4 Mise en place du carter de protection

Condition préalable : La ponceuse est mise sur arrêt.

1. Installer la ponceuse sur le disque à meuler.



2. Régler la hauteur à l'aide de la touche de réglage de la hauteur.
 - ▶ **Hauteur optimale** : écart d'environ 1 mm entre les lamelles et la surface.
3. Pour travailler dans un angle, tourner l'ouverture de segment du carter de protection dans la position souhaitée.
4. Refermer l'ouverture de segment une fois le travail dans un angle terminé.

5.5 Sélection de vitesse

1. Avec le sélecteur de vitesse, sélectionner une vitesse adaptée à l'accessoire et à la dureté du matériau.



La sélection de la vitesse est uniquement possible lorsque l'appareil est branché sur le réseau électrique.

2. Utiliser la 1^{ère} vitesse pour poncer des matériaux minéraux tendres tels que de la peinture sur un enduit au ciment, pour une aspiration améliorée des poussières et le retrait des revêtements sur des supports tendres afin de faciliter le passage de l'outil.
3. Utiliser la 5^e vitesse pour poncer des matériaux minéraux durs tels que du béton, une chape coulée ou de la pierre, afin d'exploiter la pleine puissance des outils.

6 Travail

6.1 Utilisation



AVERTISSEMENT

Danger engendré par un câble endommagé ! Si le câble d'alimentation ou de rallonge est endommagé en cours de travail, débrancher immédiatement l'appareil et le câble du réseau. Ne pas toucher aux pièces défectueuses !

- ▶ Contrôler régulièrement les câbles de branchement. Remplacer les câbles de rallonge défectueux. Les câbles d'alimentation défectueux doivent être remplacés par un professionnel agréé.

Par principe, il est recommandé d'utiliser un interrupteur de protection contre les courants de court-circuit (RCD) avec un courant de déclenchement maximal de 30 mA.

6.2 Mise en marche



ATTENTION

Risque de blessures. Des outils amovibles mal fixés risquent de se détacher.

- ▶ Vérifier avant chaque utilisation que l'outil amovible est bien fixé.

1. Raccorder la ponceuse à l'aspirateur de poussières de chantier.
2. Lever l'appareil de la surface de travail.
3. Appuyer longuement sur la touche Marche/Arrêt.
 - ▶ La LED de contrôle de la touche de blocage clignote.
4. Appuyer sur la touche de blocage pour activer la marche continue de la ponceuse.



L'actionnement de la touche de blocage doit avoir lieu en l'espace d'une seconde.

6.3 Marche d'essai dans le cas d'une nouvelle meule assiette diamant



ATTENTION

Risque de blessures ! Les disques à meuler endommagés peuvent se détacher.

- ▶ Protéger les disques à meuler contre les coups, les chocs et la graisse.
- ▶ Ne pas utiliser de disques à meuler vibrants.
- ▶ Laisser la ponceuse tourner pendant 1 minute au moins sans charge.

6.4 Ponçage

1. Sélectionner une vitesse. 21
2. Mettre la ponceuse en marche. 21



3. Poser l'appareil avec l'outil amovible et le déplacer en avant et en arrière.
4. Travailler avec une pression régulière et ne pas presser l'appareil dans le matériel.
5. Lors du traitement de matériaux d'origine minérale particulièrement durs, par ex. du béton à forte teneur en graviers, le disque à tronçonner diamanté risque de surchauffer et d'être ainsi endommagé. Dans ce cas, interrompre le processus et laisser le disque diamanté refroidir un court moment sans charge au ralenti.

6.5 Arrêt

- ▶ Pour arrêter l'appareil, appuyer sur la touche de blocage ou sur le bouton marche/arrêt.

7 Nettoyage et entretien

AVERTISSEMENT

Danger d'électrocution ! Les travaux de nettoyage et d'entretien effectués avec fiche branchée à la prise peuvent entraîner de graves blessures ou brûlures.

- ▶ Toujours retirer la fiche de la prise avant tous travaux de nettoyage et d'entretien !

Nettoyage

- Éliminer prudemment les saletés récalcitrantes.
- Nettoyer les ouïes d'aération avec précaution au moyen d'une brosse sèche.
- Nettoyer le boîtier uniquement avec un chiffon légèrement humidifié. Ne pas utiliser de nettoyeurs à base de silicone, ceci pourrait attaquer les pièces en plastique.

Entretien

AVERTISSEMENT



Risque d'électrocution ! Des réparations inappropriées sur des composants électriques peuvent entraîner de graves blessures corporelles et brûlures.

- ▶ Toute réparation des pièces électriques ne doit être effectuée que par un électricien qualifié.
- Vérifier régulièrement qu'aucune pièce visible n'est endommagée et que les organes de commande sont parfaitement opérationnels.
- En cas d'endommagements et/ou de dysfonctionnements, ne pas utiliser le produit. Le faire immédiatement réparer par le S.A.V. **Hilti**.
- Après des travaux de nettoyage et d'entretien, vérifier si tous les équipements de protection sont bien en place et fonctionnent parfaitement.



Pour une utilisation en toute sécurité, utiliser uniquement des pièces de rechange et consommables d'origine. Vous trouverez les pièces de rechange, consommables et accessoires autorisés convenant pour votre produit dans le centre **Hilti Store** ou sous : www.hilti.group.

7.1 Nettoyer le carter de protection et le canal d'aspiration

1. Démontez l'outil amovible.  20
2. Retirez le flasque support de la broche.
3. Placez le levier de réglage de la hauteur au centre.
4. Appuyez sur les deux touches de déverrouillage et tirez l'étrier de maintien vers l'avant.
5. Retirez le carter de protection de l'appareil vers le bas.
6. Déposez le canal d'aspiration du raccord.
7. Nettoyez le carter de protection, le canal d'aspiration et le raccord.
8. Reliez le canal d'aspiration et le raccord. Ce faisant, veillez à la bonne position du joint torique.
9. Reliez le carter de protection et le canal d'aspiration. Ce faisant, veillez à la bonne position du joint torique. Poussez ensuite le carter de protection dans l'appareil sur la broche.
10. Fixez le carter de protection avec l'étrier de maintien. Veillez à ce que l'étrier de maintien s'emboîte correctement.
11. Montez l'outil amovible.  20



7.2 Remplacement de lamelles



Remplacer les lamelles lorsqu'elles sont usées.

1. Démontez l'outil amovible. 20
2. Tirer les lamelles hors du carter de protection. Si nécessaire, utiliser une tenaille.
3. Appuyer les nouvelles lamelles dans la rainure du carter de protection jusqu'à ce qu'elles s'encliquettent.
4. Monter l'outil amovible. 20

8 Transport et entreposage

Transport

- ▶ Ne jamais transporter ce produit avec outil monté.
- ▶ Veiller à le tenir fermement pendant le transport.
- ▶ Vérifier après chaque transport qu'aucune pièce visible n'est endommagée et que les organes de commande sont parfaitement opérationnels.

Stockage

- ▶ Toujours stocker l'appareil avec la fiche secteur débranchée.
- ▶ Stocker cet appareil à l'état sec hors de portée des enfants et des personnes non autorisées.
- ▶ Vérifier après un stockage prolongé qu'aucune pièce visible n'est endommagée et que les organes de commande sont parfaitement opérationnels.

9 Informations complémentaires

Des informations complémentaires concernant l'utilisation, la technique, l'environnement et le recyclage sont disponibles sous le lien ci-dessous : qr.hilti.com/manual/?id=2240962

Ce lien figure également à la fin de la documentation sous forme de code QR.

10 Recyclage

Les appareils **Hilti** sont fabriqués pour une grande partie en matériaux recyclables. Le recyclage pré suppose un tri adéquat des matériaux. **Hilti** reprend les appareils usagés dans de nombreux pays en vue de leur recyclage. Consulter le service clients **Hilti** ou un conseiller commercial.



- ▶ Ne pas jeter les appareils électriques, électroniques et accus dans les ordures ménagères !

11 Garantie constructeur

- ▶ En cas de questions sur les conditions de garantie, veuillez vous adresser à votre partenaire **Hilti** local.

Español

1 Información sobre el manual de instrucciones

1.1 Acerca de este manual de instrucciones

- **¡Atención!** Asegúrese de haber leído y entendido toda la documentación adjunta, incluidas, entre otras, las instrucciones, advertencias de seguridad, ilustraciones y especificaciones que se proporcionan con este producto. Familiarícese con todas las instrucciones, advertencias de seguridad, ilustraciones, especificaciones, componentes y funciones del producto antes de utilizarlo. De lo contrario, existe peligro de descarga eléctrica, incendio y/o lesiones graves. Conserve todas las advertencias e instrucciones para futuras consultas.
- Los productos **HILTI** han sido diseñados para usuarios profesionales y solo personal autorizado y debidamente formado puede utilizarlos y llevar a cabo su mantenimiento y conservación. Este personal debe estar especialmente instruido en lo referente a los riesgos de uso. La utilización del producto



y sus dispositivos auxiliares puede conllevar riesgos para el usuario en caso de manejarse de forma inadecuada por personal no cualificado o utilizarse para usos diferentes a los que están destinados.

- La documentación adjunta corresponde al estado actual de la técnica en el momento de la impresión. Compruebe siempre la última versión en la página del producto de la página web de Hilti. Para ello siga el enlace o escanee el código QR que figura en esta documentación y que se indica con el símbolo
- No entregue nunca el producto a otras personas sin este manual de instrucciones.

1.2 Explicación de símbolos

1.2.1 Avisos

Las advertencias de seguridad advierten de peligros derivados del manejo del producto. Se utilizan las siguientes palabras de peligro:

PELIGRO

PELIGRO !

- ▶ Término utilizado para un peligro inminente que puede ocasionar lesiones graves o incluso la muerte.

ADVERTENCIA

ADVERTENCIA !

- ▶ Término utilizado para un posible peligro que puede ocasionar lesiones graves o incluso la muerte.

PRECAUCIÓN

PRECAUCIÓN !

- ▶ Término utilizado para una posible situación peligrosa que puede ocasionar lesiones o daños materiales.

1.2.2 Símbolos en el manual de instrucciones

En este manual de instrucciones se utilizan los siguientes símbolos:

	Consulte el manual de instrucciones
	Indicaciones de uso y demás información de interés
	Manejo con materiales reutilizables
	No tirar las herramientas eléctricas y las baterías junto con los desperdicios domésticos

1.2.3 Símbolos en las figuras

En las figuras se utilizan los siguientes símbolos:

	Estos números hacen referencia a la figura correspondiente incluida al principio de este manual de instrucciones.
	La numeración describe el orden de los pasos de trabajo en la imagen y puede ser diferente de los pasos descritos en el texto.
	En la figura Vista general se utilizan números de posición y los números de la leyenda están explicados en el apartado Vista general del producto .
	Preste especial atención a este símbolo cuando utilice el producto.

1.3 Símbolos de productos

1.3.1 Símbolos en el producto

En el producto se pueden utilizar los siguientes símbolos:

	Utilizar protección para los ojos
	Utilizar casco de protección



	Utilizar protección para los oídos
	Utilizar guantes de protección
	Utilizar mascarilla ligera
	Utilizar prendas protectoras
	Peligro de descarga eléctrica.
	Riesgo de sufrir lesiones por aplastamiento.
	Advertencia ante superficie caliente
RPM	Revoluciones por minuto
n_0	Número de referencia de revoluciones en vacío
\emptyset	Diámetro
	Corriente alterna
	Clase de protección II (aislamiento doble)
	La herramienta admite la tecnología NFC, compatible con plataformas iOS y Android.
	Utilizar la empuñadura lateral
	Si está en el producto, significa que el organismo de certificación lo ha certificado para el mercado estadounidense y canadiense según las normas vigentes.

1.4 Información del producto

Los productos han sido diseñados para usuarios profesionales y solo personal autorizado y debidamente formado puede utilizarlos y llevar a cabo su mantenimiento y conservación. Este personal debe estar especialmente instruido en lo referente a los riesgos de uso. La utilización del producto y sus dispositivos auxiliares puede conllevar riesgos para el usuario en caso de manejarse de forma inadecuada por personal no cualificado o utilizarse para usos diferentes a los que están destinados.

La denominación del modelo y el número de serie están indicados en la placa de identificación.

- ▶ Escriba el número de serie en la siguiente tabla. Necesitará los datos del producto para realizar consultas a nuestros representantes o al Departamento de Servicio Técnico.

Datos del producto

Modelo:	DGH 150
Generación:	01
N.º de serie:	

2 Seguridad

2.1 Indicaciones generales de seguridad para herramientas eléctricas

ADVERTENCIA Lea con atención todas las indicaciones de seguridad, instrucciones, ilustraciones y datos técnicos correspondientes a esta herramienta eléctrica. La negligencia en el cumplimiento de las instrucciones que se describen a continuación podría provocar descargas eléctricas, incendios o lesiones graves.

Conservar todas las instrucciones e indicaciones de seguridad para futuras consultas.

El término «herramienta eléctrica» empleado en las indicaciones de seguridad se refiere a herramientas eléctricas portátiles, ya sea con cable de red o sin cable, en caso de ser accionadas por batería.



Seguridad en el puesto de trabajo

- ▶ **Mantenga su área de trabajo limpia y bien iluminada.** El desorden o una iluminación deficiente de las zonas de trabajo pueden provocar accidentes.
- ▶ **No utilice la herramienta eléctrica en un entorno con peligro de explosión en el que se encuentren líquidos, gases o polvos inflamables.** Las herramientas eléctricas producen chispas que pueden llegar a inflamar los materiales en polvo o vapores.
- ▶ **Mantenga alejados a los niños y otras personas de su puesto de trabajo al emplear la herramienta eléctrica.** Una distracción le puede hacer perder el control sobre la herramienta.

Seguridad eléctrica

- ▶ **El enchufe de la herramienta eléctrica debe corresponder a la toma de corriente utilizada. No se deberá modificar el enchufe en forma alguna. No utilice enchufes adaptadores para las herramientas eléctricas con puesta a tierra.** Los enchufes sin modificar adecuados a las respectivas tomas de corriente reducen el riesgo de descarga eléctrica.
- ▶ **Evite el contacto corporal con superficies que tengan puesta a tierra, como pueden ser tubos, calefacciones, cocinas y frigoríficos.** El riesgo a quedar expuesto a una sacudida eléctrica es mayor si su cuerpo tiene contacto con tierra.
- ▶ **No exponga las herramientas eléctricas a la lluvia y evite que penetren líquidos en su interior.** El riesgo de recibir descargas eléctricas aumenta si penetra agua en la herramienta eléctrica.
- ▶ **No utilice el cable de conexión para transportar o colgar la herramienta eléctrica ni tire de él para extraer el enchufe de la toma de corriente. Mantenga el cable de conexión alejado de fuentes de calor, aceite, aristas afiladas o piezas móviles.** Los cables de conexión dañados o enredados pueden provocar descargas eléctricas.
- ▶ **Cuando trabaje al aire libre con una herramienta eléctrica, utilice exclusivamente un alargador adecuado para exteriores.** La utilización de un alargador adecuado para su uso en exteriores evita el riesgo de una descarga eléctrica.
- ▶ **Cuando no pueda evitarse el uso de la herramienta eléctrica en un entorno húmedo, utilice un interruptor de corriente de defecto.** La utilización de un interruptor de corriente de defecto evita el riesgo de una descarga eléctrica.

Seguridad de las personas

- ▶ **Permanezca atento, preste atención durante el trabajo y utilice la herramienta eléctrica con prudencia. No utilice una herramienta eléctrica si está cansado, ni tampoco después de haber consumido alcohol, drogas o medicamentos.** Un momento de descuido al utilizar la herramienta eléctrica podría producir graves lesiones.
- ▶ **Utilice el equipo de seguridad personal adecuado y lleve siempre gafas protectoras.** El riesgo de lesiones se reduce considerablemente si, según el tipo y la aplicación de la herramienta eléctrica empleada, se utiliza un equipo de seguridad personal adecuado como una mascarilla antipolvo, zapatos de seguridad con suela antideslizante, casco de protección o protección para los oídos.
- ▶ **Evite una puesta en servicio fortuita de la herramienta. Asegúrese de que la herramienta eléctrica está apagada antes de alzarla, transportarla, conectarla a la toma de corriente o insertar la batería.** Si transporta la herramienta eléctrica sujetándola por el interruptor de conexión/desconexión o si introduce el enchufe en la toma de corriente con la herramienta conectada, podría producirse un accidente.
- ▶ **Retire las herramientas de ajuste o llaves fijas antes de conectar la herramienta eléctrica.** Una herramienta o llave colocada en una pieza giratoria puede producir lesiones al ponerse en funcionamiento.
- ▶ **Evite adoptar posturas forzadas. Procure que la postura sea estable y manténgase siempre en equilibrio.** De esta forma podrá controlar mejor la herramienta eléctrica en caso de presentarse una situación inesperada.
- ▶ **Utilice ropa adecuada. No utilice vestimenta amplia ni joyas. Mantenga su pelo, vestimenta y guantes alejados de las piezas móviles.** La vestimenta suelta, las joyas y el pelo largo se pueden enganchar con las piezas en movimiento.
- ▶ **Siempre que sea posible montar equipos de aspiración o captación de polvo, asegúrese de que están conectados y de que se utilizan correctamente.** El uso de un sistema de aspiración de polvo reduce los riesgos derivados del polvo.
- ▶ **No se crea a salvo de cualquier riesgo ni pase por alto ninguna de las normas de seguridad relativas a las herramientas eléctricas, aun cuando esté familiarizado con la herramienta eléctrica y tenga larga experiencia en su uso.** Una actuación negligente puede provocar lesiones graves en cuestión de segundos.



Uso y manejo de la herramienta eléctrica

- ▶ **No sobrecargue la herramienta. Utilice la herramienta eléctrica adecuada para el trabajo que se dispone a realizar.** Con la herramienta eléctrica apropiada podrá trabajar mejor y de modo más seguro dentro del margen de potencia indicado.
- ▶ **No utilice herramientas eléctricas con el interruptor defectuoso.** Las herramientas eléctricas que no se puedan conectar o desconectar son peligrosas y deben repararse.
- ▶ **Extraiga el enchufe de la toma de corriente o retire la batería extraíble antes de efectuar cualquier ajuste en la herramienta, cambiar accesorios o en caso de no utilizar la herramienta durante un tiempo prolongado.** Esta medida preventiva evita el riesgo de arranque accidental de la herramienta eléctrica.
- ▶ **Guarde las herramientas eléctricas que no utilice fuera del alcance de los niños. No permita utilizar la herramienta a ninguna persona que no esté familiarizada con ella o que no haya leído este manual de instrucciones.** Las herramientas eléctricas utilizadas por personas inexpertas son peligrosas.
- ▶ **Cuide su herramienta eléctrica y los accesorios adecuadamente. Compruebe si las piezas móviles de la herramienta funcionan correctamente y sin atascarse, y si existen piezas rotas o deterioradas que pudieran afectar al funcionamiento de la herramienta eléctrica. Encargue la reparación de las piezas defectuosas antes de usar la herramienta eléctrica.** Muchos accidentes son consecuencia de un mantenimiento inadecuado de la herramienta eléctrica.
- ▶ **Mantenga los útiles limpios y afilados.** Las herramientas de corte bien cuidadas y con aristas afiladas se atascan menos y se guían con más facilidad.
- ▶ **Utilice la herramienta eléctrica, los accesorios, útiles de inserción, etc., de acuerdo con estas instrucciones. Para ello, tenga en cuenta las condiciones de trabajo y la tarea que se va a realizar.** El uso de herramientas eléctricas para trabajos diferentes de aquellos para los que han sido concebidas puede resultar peligroso.
- ▶ **Mantenga las empuñaduras y las superficies de contacto secas, limpias y sin residuos de aceite o grasa.** Las empuñaduras y superficies de contacto resbaladizas impiden manejar y controlar la herramienta eléctrica con seguridad en situaciones imprevistas.

Servicio Técnico

- ▶ **Solicite que un profesional lleve a cabo la reparación de su herramienta eléctrica y que utilice exclusivamente piezas de repuesto originales.** Solamente así se garantiza la seguridad de la herramienta eléctrica.

2.2 Indicaciones de seguridad para todos los trabajos

Indicaciones de seguridad generales para las aplicaciones de lijado y lijado con papel de lija:

- ▶ **Esta herramienta eléctrica debe utilizarse como lijadora y amoladora con papel de lija. Tenga en cuenta las indicaciones de seguridad, las representaciones y los datos que se adjuntan con la herramienta.** El incumplimiento de las siguientes indicaciones podría conllevar descargas eléctricas, incendios o lesiones graves.
- ▶ **Esta herramienta eléctrica no debe utilizarse para trabajos con cepillos de alambre, pulir, cortar orificios ni tronzar.** El uso de la herramienta eléctrica para fines no previstos puede provocar descargas eléctricas o lesiones.
- ▶ **No modifique esta herramienta eléctrica de manera que funcione de un modo que no esté especialmente diseñado o especificado por el fabricante de la herramienta.** Una modificación de este tipo puede provocar una pérdida del control y causar daños personales graves.
- ▶ **No utilice accesorios que el fabricante no haya desarrollado ni autorizado especialmente para esta herramienta eléctrica.** El simple hecho de que el accesorio encaje en su herramienta eléctrica no garantiza un uso seguro.
- ▶ **La velocidad admisible del útil de inserción debe alcanzar, como mínimo, el valor máximo indicado en la herramienta eléctrica.** Los accesorios que giren a una velocidad superior a la autorizada pueden romperse o salir despedidos.
- ▶ **El diámetro exterior y el espesor del útil de inserción deben corresponderse con las indicaciones de su herramienta eléctrica.** Los útiles de inserción de dimensiones incorrectas no pueden controlarse ni protegerse de forma adecuada.
- ▶ **Los útiles con inserción roscada deben adaptarse perfectamente a la rosca del husillo de lijado. En el caso de útiles de inserción montados mediante bridas, el diámetro del orificio del útil de inserción debe adaptarse perfectamente al diámetro del alojamiento de la brida.** Los útiles de inserción que no queden perfectamente fijados a la herramienta eléctrica pueden provocar giros irregulares, fuertes vibraciones e incluso la pérdida de control.



- ▶ **No utilice útiles de inserción dañados.** Antes de utilizar el útil de inserción, compruebe si hay indicios de desgaste en los discos lijadores o de agrietamiento y desgaste en los discos abrasivos, así como si hay alambres rotos o sueltos en los cepillos de alambre. En caso de caída, compruebe si la herramienta eléctrica o el útil de inserción ha resultado dañado y utilice en tal caso un útil de inserción no dañado. Después de comprobar e insertar el útil de inserción, tanto el usuario como las personas que se encuentren a su alrededor deben mantenerse alejadas del útil de inserción en movimiento y dejar que la herramienta funcione a máxima velocidad durante un minuto. Generalmente, los útiles de inserción se dañan en el período de prueba.
- ▶ **Utilice el equipo de seguridad personal. Utilice protección completa para la cara, protección para los ojos o gafas protectoras, dependiendo de la aplicación. Cuando la aplicación lo requiera, utilice mascarilla antipolvo, protección para los oídos, guantes de protección o un delantal especial que le sirva de pantalla frente a pequeñas partículas que puedan desprenderse en los trabajos de lijado.** Utilice protección para los ojos para evitar que penetren materiales extraños que puedan desprenderse en las diferentes aplicaciones. Tanto la mascarilla antipolvo como la mascarilla ligera filtran el polvo que se produce en determinadas aplicaciones. La exposición prolongada a fuertes ruidos puede ocasionar una pérdida de audición.
- ▶ **Controle que terceras personas mantengan una distancia de seguridad respecto a su zona de trabajo. Todas las personas que se encuentren en la zona de trabajo deben llevar el equipo de seguridad personal.** Los fragmentos que pueden desprenderse de la pieza de trabajo o los útiles de inserción rotos pueden salir despedidos y provocar lesiones incluso fuera de la zona de trabajo.
- ▶ **Sujete la herramienta eléctrica por las empuñaduras aisladas cuando realice trabajos en los que el útil puede entrar en contacto con cables eléctricos ocultos o con el propio cable de red de la herramienta.** El contacto con los cables conductores puede traspasar la conductividad a las partes metálicas y producir descargas eléctricas.
- ▶ **Mantenga el cable de red alejado de los útiles en movimiento.** Si pierde el control sobre la herramienta, el cable de red puede desconectarse o engancharse y el útil de inserción en movimiento podría ocasionarle lesiones en las manos o brazos.
- ▶ **No deposite nunca la herramienta eléctrica hasta que el útil no se haya detenido por completo.** El útil en movimiento puede entrar en contacto con la superficie de trabajo haciéndole perder el control sobre la herramienta eléctrica.
- ▶ **No transporte la herramienta eléctrica en funcionamiento.** Su ropa puede entrar accidentalmente en contacto con el útil en movimiento quedando enganchada y el útil puede ocasionarle lesiones.
- ▶ **Limpie las rejillas de ventilación de su herramienta eléctrica con regularidad.** El ventilador del motor conduce el polvo aspirado al interior de la carcasa, de modo que una concentración elevada de polvo de metal puede dar lugar a averías eléctricas.
- ▶ **No utilice la herramienta eléctrica cerca de materiales inflamables.** Las chispas podrían inflamar dichos materiales.
- ▶ **No utilice útiles de inserción que requieran refrigerante líquido.** El uso de agua u otros refrigerantes líquidos puede producir descargas eléctricas.

Descripción del rebote e indicaciones de seguridad correspondientes

El rebote es la reacción repentina causada por un útil de inserción atascado o bloqueado en movimiento, del tipo, por ejemplo, de discos lijadores, discos abrasivos, cepillos de alambre, etc. El atascamiento o el bloqueo origina una parada brusca del útil de inserción en movimiento. Por ello, una herramienta eléctrica incontrolada se acelera en la dirección de giro opuesta del útil de inserción respecto a la posición de bloqueo. Si, por ejemplo, un disco lijador se atasca o bloquea en una pieza de trabajo, el borde del disco lijador que penetra en la pieza de trabajo puede engancharse y, como consecuencia, romperse o dar lugar a un rebote. El disco lijador avanza hacia el usuario o se aleja de él, según la dirección de giro del disco respecto a la posición de bloqueo. En este caso, los discos lijadores también pueden romperse.

El rebote se debe a un uso incorrecto de la herramienta eléctrica. Puede evitarse cumpliendo las medidas de seguridad pertinentes que se describen a continuación.

- ▶ **Sujete bien la herramienta eléctrica con las dos manos y mantenga su cuerpo y brazos en una posición que le permita hacer frente a las fuerzas de rebote. Utilice siempre la empuñadura adicional, en caso de existir, para tener el máximo control sobre las fuerzas de rebote o los momentos de retroceso a plena marcha.** Tomar las medidas de precaución adecuadas contribuye a tener un control absoluto sobre las fuerzas de rebote y retroceso.
- ▶ **No coloque nunca la mano cerca de los útiles de inserción en movimiento.** El útil de inserción puede efectuar movimientos bruscos a causa del rebote y alcanzarle la mano.
- ▶ **Mantenga una distancia de seguridad respecto a la zona de movimiento del rebote de la herramienta eléctrica.** El rebote empuja la herramienta eléctrica en dirección opuesta al movimiento del disco lijador respecto a la posición de bloqueo.



- ▶ **Tenga especial cuidado cerca de las esquinas y cantos afilados y evite que los útiles de inserción reboten o se enganchen con la pieza de trabajo.** El útil de inserción en movimiento tiende a engancharse con las esquinas o cantos afilados en caso de rebote. Ello puede comportar la pérdida de control o el rebote de la herramienta.
- ▶ **No utilice ninguna hoja de sierra de cadena o dentada ni tampoco discos de diamante segmentados con ranuras superiores a 10 mm.** Estos útiles de inserción a menudo ocasionan el rebote o la pérdida de control de la herramienta eléctrica.

Indicaciones de seguridad especiales para los trabajos de lijado y tronzado con muela:

- ▶ **Utilice únicamente cuerpos de lijado apropiados para su herramienta eléctrica y la cubierta protectora indicada para cada uno de ellos.** Los cuerpos de lijado cuyo uso no está previsto para una herramienta eléctrica determinada no pueden protegerse de forma apropiada y, como consecuencia, su aplicación no es segura.
- ▶ **Los discos lijadores acodados deben colocarse de forma que la superficie de lijado no sobresalga sobre la superficie del borde de la cubierta de protección.** Un disco lijador montado de forma inadecuada, que sobresalga del borde de la cubierta protectora, no está convenientemente resguardado.
- ▶ **La cubierta protectora debe colocarse de forma segura en la herramienta eléctrica y ajustarse, con la finalidad de conseguir el máximo de seguridad, de modo que solo apunte directamente hacia el usuario la parte más pequeña posible del cuerpo de lijado.** La cubierta protectora sirve para proteger al usuario frente a fragmentos, contacto accidental con el cuerpo de lijado o chispas, que podrían prender fuego a la ropa.
- ▶ **Los cuerpos de lijado solamente pueden utilizarse para las aplicaciones de uso permitidas: por ejemplo, no lije nunca con la superficie lateral de un disco tronzador.** Los discos tronzadores están diseñados para arrancar material con el borde. La acción de la fuerza lateral puede romper los cuerpos de lijado.
- ▶ **Utilice siempre bridas de apriete no dañadas y con tamaño y forma adecuados para los discos lijadores elegidos.** Las bridas apropiadas sirven de soporte para los discos lijadores y reducen el riesgo de rotura de los mismos. Las bridas para discos tronzadores pueden diferenciarse de las bridas para otros discos lijadores.
- ▶ **No utilice discos lijadores desgastados de herramientas eléctricas de mayores dimensiones.** Los discos lijadores para herramientas eléctricas más grandes no son apropiados para las elevadas velocidades alcanzadas por las herramientas eléctricas de menor tamaño, puesto que podrían romperse.
- ▶ **Utilice siempre la caperuza protectora prevista para cada aplicación cuando emplee cuerpos de lijado de doble uso.** El uso de una caperuza protectora inadecuada puede suponer una protección insuficiente, lo que podría conllevar lesiones graves.

Indicaciones de seguridad especiales para el lijado con papel de lija:

- ▶ **Utilice únicamente hojas lijadoras del tamaño adecuado. Siga en todo momento las especificaciones del fabricante en cuanto al tamaño de las hojas lijadoras.** Las hojas lijadoras que sobresalen mucho del disco abrasivo pueden causar lesiones, así como el bloqueo o ruptura de las hojas o el rebote de la herramienta.

2.3 Indicaciones de seguridad adicionales

Seguridad de las personas

- ▶ No está permitido efectuar manipulaciones o modificaciones en la herramienta.
- ▶ Mantenga las empuñaduras secas, limpias y sin residuos de aceite o grasa.
- ▶ Asegúrese de que la empuñadura lateral esté montada correctamente y fijada conforme a las prescripciones. Sujete siempre la herramienta con ambas manos por las empuñaduras previstas.
- ▶ Efectúe pausas durante el trabajo, así como ejercicios de relajación y estiramiento de los dedos para mejorar la circulación.
- ▶ La herramienta no es adecuada para personas con poca fuerza a las que no se haya instruido.
- ▶ Mantenga la herramienta fuera del alcance de los niños.
- ▶ Evite tocar las piezas en movimiento. No conecte la herramienta fuera de la zona de trabajo. Si se tocan piezas en movimiento, en especial herramientas rotativas, pueden ocasionarse lesiones.
- ▶ La operación de lijado puede generar polvo peligroso. Antes de empezar el trabajo determine la categoría de peligrosidad del polvo generado al lijar. Para trabajar con la herramienta, siempre que sea posible utilice un sistema de aspiración de polvo cuyo nivel de protección autorizado oficialmente satisfaga los requisitos locales relativos a la protección contra el polvo.
- ▶ El polvo procedente de materiales como pinturas con plomo, determinadas maderas, hormigón/mampostería/rocas con cuarzo, así como minerales y metal puede ser nocivo para la salud. El contacto con el polvo o su inhalación puede provocar reacciones alérgicas o asfixia al usuario o a personas que se encuentren en su entorno. Existen determinados tipos de polvo, como puede ser el de



roble o el de haya, catalogados como cancerígenos, especialmente si se encuentra mezclado con aditivos usados en el tratamiento de la madera (cromato, agente protector para la madera). Únicamente expertos cualificados están autorizados a manipular materiales que contengan asbesto. **Utilice siempre que sea posible un aspirador de polvo. Para lograr un alto grado de aspiración del polvo, utilice un aspirador de polvo portátil apropiado. Utilice una mascarilla adecuada para cada clase de polvo. Procure que el lugar de trabajo esté bien ventilado. Infórmese sobre las disposiciones vigentes en su país en relación con los materiales que vaya a utilizar.**

- ▶ Antes de empezar el trabajo de lijado, retire concienzudamente todas las piezas sobresalientes, como, p. ej., clavos, tornillos, etc.
- ▶ Durante la operación de lijado se pueden proyectar chispas. Asegúrese de que ninguna persona pueda resultar dañada por estas.
- ▶ Los discos lijadores tienen que ser almacenados y manipulados con cuidado según las indicaciones del fabricante.
- ▶ Fije la pieza de trabajo. Utilice dispositivos de sujeción o un tornillo de banco para sujetar la pieza de trabajo. De esa forma estará sujeta de modo más seguro que con la mano y, por otro lado, tendrá las dos manos libres para manejar el producto.

Manipulación y utilización segura de las herramientas eléctricas

- ▶ Antes de toda puesta en servicio, incluso después de las pausas en el trabajo, asegúrese de que la herramienta esté sujeta con firmeza.

Seguridad eléctrica

- ▶ Compruebe antes de empezar a trabajar si la zona de trabajo oculta cables eléctricos, tuberías de gas o cañerías de agua, por ejemplo, con un detector de metales. Las partes metálicas exteriores de la herramienta pueden pasar a conducir electricidad si, por ejemplo, se ha dañado por error un cable eléctrico. Dichas partes suponen un peligro serio por el riesgo de una descarga eléctrica.
- ▶ Compruebe con regularidad el cable de conexión de la herramienta y, en caso de que presentara daños, encargue su sustitución a un profesional experto en la materia. Si el cable de conexión de la herramienta eléctrica está dañado, debe reemplazarse por un cable especial homologado que encontrará en nuestro Servicio Posventa. Inspeccione regularmente los alargadores y sustitúyalos en caso de que estuvieran dañados. Si se daña el cable de red o el alargador durante el trabajo, evite tocar el cable. Extraiga el enchufe de red de la toma de corriente. Los cables de conexión y los alargadores dañados suponen un peligro, pues pueden ocasionar una descarga eléctrica.
- ▶ Encargue la revisión de la herramienta en intervalos regulares al Servicio Técnico de Hilti en caso de tratar con frecuencia materiales conductores. El polvo adherido en la superficie de la herramienta, sobre todo el de los materiales conductores, o la humedad pueden provocar descargas eléctricas cuando se den condiciones desfavorables.

Seguridad personal

- ▶ Procure que haya una buena ventilación del lugar de trabajo. Se recomienda utilizar una mascarilla de protección con filtro de la clase P2.
- ▶ El uso puede provocar que las muelas de vaso de diamante o determinadas piezas de la caperuza protectora o de la herramienta (cabeza del engranaje) se calienten. A fin de evitar quemaduras, use guantes de protección para tocar esas piezas.

Indicaciones adicionales de uso de la caperuza protectora

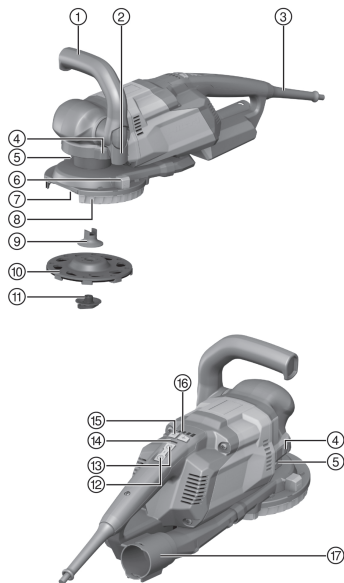
Para evitar los siguientes riesgos, utilice siempre la caperuza protectora correcta.

- ▶ Al utilizar la caperuza protectora estándar en la rectificación de superficies planas, la caperuza protectora puede entrar en contacto con la pieza de trabajo, cosa que podría provocar la pérdida de control.
- ▶ Al utilizar la caperuza protectora estándar con o sin tapa delantera en el lijado de hormigón o mampostería, puede producirse una mayor carga de polvo y existe un mayor riesgo de perder el control del producto, lo que puede provocar rebotes.



3 Descripción

3.1 Vista general del producto 1



- ① Empuñadura lateral
- ② Empuñadura lateral de la palanca de apriete
- ③ Cable de red
- ④ Teclas de desbloqueo del estribo de sujeción
- ⑤ Regulación de altura de la caperuza protectora
- ⑥ Palanca de ajuste para la apertura del segmento
- ⑦ Abertura del segmento
- ⑧ Caperuza protectora con junta laminada
- ⑨ Brida de alojamiento
- ⑩ Muelas de vaso de diamante
- ⑪ Tornillo de ajuste rápido **Keyless**
- ⑫ Tecla de encendido/apagado
- ⑬ Tecla de sujeción para el funcionamiento continuo
- ⑭ Indicador LED de funcionamiento
- ⑮ Teclas de selección de velocidades
- ⑯ Indicador de velocidad
- ⑰ Manguito de empalme del aspirador

3.2 Uso conforme a las prescripciones

El producto descrito es una lijadora eléctrica de diamante para los trabajos de lijado en seco y lijado fino de superficies minerales. Utilice la lijadora de diamante solo en combinación con un aspirador.

La lijadora está destinada exclusivamente a la erosión en seco de sustratos minerales no revestidos, así como de revestimientos finos sobre hormigón y sustratos minerales similares con un espesor máximo de capa de 3 mm (0,12 pulg.).

3.3 Usos indebidos no permitidos

No emplee útiles de inserción que no estén permitidos para el producto. Entre otros, se incluyen discos tronzaadores, discos tronzaadores de diamante y cepillos de alambre.

No utilice el producto para operaciones de rectificación en húmedo; no lije objetos que sobresalgan, como clavos o tornillos.

No utilice el producto con lamas desgastadas en el protector antipolvo; no utilice nunca el producto sin extractor de polvo.

No utilice nunca la almohadilla de lijado con una velocidad no permitida.

La carga electrostática puede inutilizar la electrónica del producto. Para evitar efectos electrostáticos, utilice una manguera de aspiración antiestática.

3.4 Suministro

Lijadora, manual de instrucciones, brida de alojamiento, tornillo de sujeción rápida **Keyless**.

Encontrará otros productos del sistema autorizados para su producto en su **Hilti Store** o en Internet, en: www.hilti.group



4 Datos técnicos



La tensión nominal, la intensidad nominal, la frecuencia y/o la potencia nominal figuran en la placa de identificación específica del país.

Si se utiliza con un generador o transformador, la potencia útil debe ser al menos el doble de la potencia nominal indicada en la placa de identificación de la herramienta. La tensión de servicio del transformador o del generador debe encontrarse en todo momento entre un +5 % y un -15 % de la tensión nominal de la herramienta.

Revoluciones por minuto (nivel 1)	3.300 rpm
Revoluciones por minuto (nivel 2)	4.125 rpm
Revoluciones por minuto (nivel 3)	4.950 rpm
Revoluciones por minuto (nivel 4)	5.775 rpm
Revoluciones por minuto (nivel 5)	6.600 rpm
Revoluciones nominales en vacío	7.000 rpm
Diámetro del disco	6 in
Grosor de los discos	4 mm ... 4,5 mm (0,2 in ... 0,18 in)
Diámetro de la rosca	M6

5 Preparación del trabajo

PRECAUCIÓN

Riesgo de lesiones. Arranque involuntario del producto.

- ▶ Extraiga el enchufe de red antes de realizar ajustes en la herramienta o de cambiar accesorios.

Respete las indicaciones de seguridad y las advertencias presentes en esta documentación y en el producto.

5.1 Montaje del útil de inserción

PRECAUCIÓN

Riesgo de daños y lesiones en caso de usar tornillos de sujeción rápida Keyless dañados. El tornillo de sujeción rápida **Keyless** puede romperse si se aprieta demasiado fuerte.

- ▶ No utilice nunca una herramienta para reapretar el tornillo de sujeción rápida **Keyless**. Apriételo siempre a mano.

1. Limpie el portaútiles.
2. Inserte la brida de alojamiento en el husillo y encaje la brida de alojamiento.
3. Inserte el útil de inserción sobre el collar de centrado de la brida de alojamiento.
4. Enrosque el tornillo de sujeción rápida en el husillo de accionamiento y apriételo a mano.

5.2 Desmontaje del útil de inserción

1. Suelte la tuerca de apriete.
2. Retire el útil de inserción.

5.3 Ajuste de la empuñadura lateral

1. Para liberar la empuñadura lateral, abra la palanca de apriete.
2. Coloque la empuñadura lateral en la posición deseada.
3. Cierre la palanca de apriete.

5.4 Ajuste de la caperuza protectora

Imprescindible: la lijadora está desconectada.

1. Coloque la lijadora sobre el disco lijador.



2. Ajuste la altura con la regulación de altura.
 - ▶ **Altura óptima:** a aproximadamente 1 mm de distancia entre las lamas y la superficie.
3. Si trabaja a lo largo del borde de una esquina, gire la apertura del segmento de apertura de la caperuza protectora a la posición deseada.
4. Cierre la apertura del segmento de nuevo, después de trabajar a lo largo del borde de una esquina.

5.5 Selección de la velocidad

1. Con el interruptor selector de velocidades, elija una velocidad en función del útil de inserción empleado y de la dureza de la superficie de trabajo.



La selección de velocidades solo es posible si la herramienta está conectada a la red.

2. Utilice la 1.^a velocidad para la erosión de sustratos minerales blandos como, p. ej., pintura sobre revoque de cemento, con objeto de mejorar la aspiración de polvo y para la erosión de revestimientos sobre sustratos blandos con el fin de facilitar el guiado de la herramienta.
3. Utilice la 5.^a velocidad para la erosión de sustratos minerales duros como hormigón, pavimento o piedra con la finalidad de aprovechar toda la potencia de las herramientas.

6 Procedimiento de trabajo

6.1 Manejo



ADVERTENCIA

Peligro por cables dañados. Si durante el trabajo se daña el cable de red o el alargador, desenchufe inmediatamente la herramienta y el cable de la red. Evite tocar el punto donde se haya producido el daño.

- ▶ Compruebe regularmente todos los cables de conexión. Sustituya los alargadores defectuosos. Encargue a un profesional experto en la materia la sustitución de los cables de red dañados.

Se recomienda el uso de un interruptor de corriente de defecto (RCD) con una corriente de desconexión máxima de 30 mA.

6.2 Conexión



PRECAUCIÓN

Riesgo de lesiones. Los útiles de inserción con fijación insuficiente pueden aflojarse.

- ▶ Antes de cada uso, compruebe la correcta fijación del útil de inserción.

1. Conecte la lijadora a la aspiradora de obra.
2. Levante la herramienta de la superficie de trabajo.
3. Mantenga pulsado el interruptor de conexión y desconexión.
 - ▶ El LED de control de la tecla de sujeción parpadea.
4. Pulse la tecla de sujeción para conectar permanentemente la lijadora.



Debe accionar la tecla de sujeción en el transcurso de un segundo.

6.3 Prueba de funcionamiento en caso de muelas de vaso de diamante nuevas



PRECAUCIÓN

Riesgo de lesiones Los discos lijadores dañados podrían soltarse.

- ▶ Proteja los discos lijadores de las descargas, los golpes y la grasa.
- ▶ No utilice discos lijadores vibrantes.
- ▶ Haga funcionar la lijadora sin carga durante 1 minuto por lo menos.

6.4 Lijado

1. Seleccione una velocidad. 33
2. Conecte la lijadora. 33



3. Monte la herramienta con el útil de inserción y muévala de un lado a otro.
4. Trabaje con una presión moderada y no presione la herramienta contra el material.
5. Con superficies de trabajo minerales especialmente duras, como hormigón con un alto porcentaje de guijarros, la muela de vaso de diamante puede sobrecalentarse y, por consiguiente, dañarse. En este caso, interrumpa el proceso de lijado y permita que la muela de vaso de diamante se enfríe sin carga durante un breve periodo de tiempo en marcha en vacío.

6.5 Desconexión

- ▶ Para desconectar la herramienta, pulse la tecla de sujeción o el interruptor de conexión y desconexión.

7 Cuidado y mantenimiento

ADVERTENCIA

Peligro de descarga eléctrica. La realización de tareas de cuidado y mantenimiento con el enchufe conectado a la toma de corriente de puede provocar lesiones y quemaduras graves.

- ▶ Extraiga siempre el enchufe de la toma de corriente antes de realizar cualquier tarea de cuidado y mantenimiento.

Cuidado

- Retire con cuidado la suciedad fuertemente adherida.
- Limpie cuidadosamente las rejillas de ventilación con un cepillo seco.
- Limpie la carcasa utilizando únicamente un paño ligeramente humedecido. No utilice limpiadores que contengan silicona, ya que podría afectar a las piezas de plástico.

Mantenimiento

ADVERTENCIA



Riesgo de descarga eléctrica. Las reparaciones indebidas en componentes eléctricos pueden producir lesiones graves y quemaduras.

- ▶ Las reparaciones de la parte eléctrica sólo puede llevarlas a cabo un técnico electricista cualificado.
- Compruebe con regularidad si las piezas visibles están dañadas o si los elementos de manejo funcionan correctamente.
- No utilice el producto si presenta daños o fallos que afecten al funcionamiento. Llévela de inmediato al Servicio Técnico de **Hilti** para que la reparen.
- Coloque todos los dispositivos de protección después de las tareas de cuidado y mantenimiento y compruebe su correcto funcionamiento.



Para garantizar un correcto funcionamiento, utilice exclusivamente piezas de repuesto y material de consumo originales. Puede encontrar piezas de repuesto, consumibles y accesorios para su producto que nosotros mismos comercializamos en **Hilti Store** o en: www.hilti.group.

7.1 Limpieza de la caperuza protectora y el canal de aspiración

1. Desmonte el útil.  32
2. Extraiga la brida de alojamiento del husillo.
3. Coloque la palanca para el ajuste de altura en el centro.
4. Pulse ambas teclas de desbloqueo y extraiga el estribo de sujeción hacia delante.
5. Tire de la caperuza protectora hacia abajo desde la herramienta.
6. Extraiga el canal de aspiración del manguito de empalme.
7. Limpie la caperuza protectora, el canal de aspiración y el manguito de empalme.
8. Conecte el canal de aspiración con el manguito de empalme. Asegúrese de que la junta tórica esté correctamente colocada.
9. Conecte la caperuza protectora con el canal de aspiración. Asegúrese de que la junta tórica esté correctamente colocada. A continuación, desplace la caperuza protectora por el husillo de la herramienta.
10. Fije la caperuza protectora con el estribo de sujeción. Asegúrese de que el estribo de sujeción encaje correctamente.
11. Monte el útil de inserción.  32



7.2 Cambio de las lamas



Cambie las lamas cuando estén desgastadas.

1. Desmonte el útil. 32
2. Extraiga las lamas de la caperuza protectora. Utilice una tenazas en caso necesario.
3. Apriete las nuevas lamas en la ranura de la caperuza protectora hasta que encajen.
4. Monte el útil de inserción. 32

8 Transporte y almacenamiento

Transporte

- ▶ No transporte este producto con el útil insertado.
- ▶ Asegúrese de que durante el transporte esté bien sujeto.
- ▶ Compruebe tras cada transporte si las piezas visibles están dañadas o si los elementos de manejo funcionan correctamente.

Almacenamiento

- ▶ Almacene este producto siempre con los enchufes desconectados.
- ▶ Guarde este producto en un lugar seco y fuera del alcance de niños y personas no autorizadas.
- ▶ Cuando lleve mucho tiempo almacenado, compruebe si las piezas visibles están dañadas y si los elementos de manejo funcionan correctamente.

9 Más información

Encontrará información adicional sobre manejo, técnica, medio ambiente y reciclaje en el siguiente enlace: qr.hilti.com/manual/?id=2240962

Encontrará este enlace también al final de la documentación como código QR.

10 Reciclaje

Las herramientas Hilti están fabricadas en su mayor parte con materiales reutilizables. La condición para dicha reutilización es una separación adecuada de los materiales. En muchos países, Hilti recoge las herramientas usadas para su recuperación. Pregunte en el Servicio de Atención al Cliente de Hilti o a su asesor de ventas.



- ▶ No deseche las herramientas eléctricas, los aparatos eléctricos ni las baterías junto con los residuos domésticos.

11 Garantía del fabricante

- ▶ Si tiene alguna consulta acerca de las condiciones de la garantía, póngase en contacto con su sucursal local de Hilti.

Português

1 Indicações sobre o Manual de instruções

1.1 Relativamente a este Manual de instruções

- **Aviso!** Antes de utilizar o produto, certifique-se de que leu e compreendeu o Manual de instruções fornecido com o produto incluindo as instruções, instruções de segurança e advertências, figuras e especificações. Familiarize-se sobretudo com todas as instruções, instruções de segurança e advertências, figuras, especificações, bem como com componentes e funções. Em caso de incumprimento existe perigo de choque eléctrico, incêndio e/ou ferimentos graves. Guarde o Manual de instruções incluindo todas as instruções, instruções de segurança e advertências para utilização posterior.



- Os produtos **HILTI** destinam-se ao utilizador profissional e só podem ser operados, mantidos e reparados por pessoal autorizado, devidamente qualificado. Estas pessoas deverão estar informadas em particular sobre os potenciais perigos. O produto e seu equipamento auxiliar podem representar perigo se usados incorrectamente por pessoas não qualificadas ou se usados para fins diferentes daqueles para os quais foram concebidos.
- O Manual de instruções fornecido corresponde ao actual avanço tecnológico no momento da impressão. Encontra a versão actual sempre online, na página de produtos Hilti. Para o efeito, siga a hiperligação ou o código QR neste Manual de instruções, identificado com o símbolo
- Entregue o produto a outras pessoas apenas juntamente com o Manual de instruções.

1.2 Explicação dos símbolos

1.2.1 Advertências

As advertências alertam para perigos durante a utilização do produto. São utilizadas as seguintes palavras de aviso:



PERIGO

PERIGO !

- ▶ Indica perigo iminente que pode originar acidentes pessoais graves ou até mesmo fatais.



AVISO

AVISO !

- ▶ Indica um possível perigo que pode causar graves ferimentos pessoais, até mesmo fatais.



CUIDADO

CUIDADO !

- ▶ Indica uma situação potencialmente perigosa que pode originar ferimentos corporais ou danos materiais.

1.2.2 Símbolos no manual de instruções

Neste manual de instruções são utilizados os seguintes símbolos:

	Consultar o manual de instruções
	Instruções de utilização e outras informações úteis
	Manuseamento com materiais recicláveis
	Não deitar as ferramentas eléctricas e baterias no lixo doméstico

1.2.3 Símbolos nas figuras

Em figuras são utilizados os seguintes símbolos:

	Estes números remetem para a figura respectiva no início do presente manual de instruções.
	A numeração reproduz uma sequência dos passos de trabalho na imagem e pode divergir dos passos de trabalho no texto.
	Na figura Vista geral são utilizados números de posição que fazem referência aos números da legenda na secção Vista geral do produto .
	Este símbolo pretende despertar a sua atenção durante o manuseamento do produto.

1.3 Símbolos dependentes do produto

1.3.1 Símbolos no produto

No produto, podem usar-se os seguintes símbolos:

	Use óculos de protecção
--	-------------------------



	Use capacete de protecção
	Use protecção auricular
	Use luvas de protecção
	Use máscara antipoeiras
	Use vestuário de protecção
	Perigo de choque eléctrico.
	Perigo de esmagamento de partes do corpo.
	Perigo: Superfície quente
RPM	rotações por minuto
n_0	Velocidade nominal de rotação sem carga
\varnothing	Diâmetro
	Corrente alternada
	Classe II de protecção (com duplo isolamento)
	A ferramenta suporta a tecnologia NFC que é compatível com plataformas iOS e Android.
	Utilizar punho auxiliar
	Se existente no produto, isso significa que o produto foi certificado por este organismo de certificação para o mercado americano e canadiano de acordo com as normas em vigor.

1.4 Dados informativos sobre o produto

Os produtos destinam-se ao utilizador profissional e só podem ser operados, mantidos e reparados por pessoal autorizado, devidamente qualificado. Estas pessoas deverão estar informadas em particular sobre os potenciais perigos. O produto e seu equipamento auxiliar podem representar perigo se usados incorrectamente por pessoas não qualificadas ou se usados para fins diferentes daqueles para os quais foram concebidos.

A designação e o número de série são indicados na placa de características.

- ▶ Registe o número de série na tabela seguinte. Precisa dos dados do produto para colocar questões ao nosso representante ou posto de serviço de atendimento aos clientes.

Dados do produto

Tipo:	DGH 150
Geração:	01
N.º de série:	

2 Segurança

2.1 Normas de segurança gerais para ferramentas eléctricas

AVISO Leia todas as normas de segurança, instruções, imagens e dados técnicos, com os quais esta ferramenta eléctrica está equipada. O não cumprimento das instruções a seguir pode resultar em choque eléctrico, incêndio e/ou ferimentos graves.

Guarde bem todas as normas de segurança e instruções para futura referência.

O termo "ferramenta eléctrica" utilizado nas normas de segurança refere-se a ferramentas com ligação à corrente eléctrica (com cabo de alimentação) ou a ferramentas a bateria (sem cabo).



Segurança no posto de trabalho

- ▶ **Mantenha a sua área de trabalho limpa e bem iluminada.** Locais desarrumados ou mal iluminados podem ocasionar acidentes.
- ▶ **Não utilize a ferramenta eléctrica em ambientes explosivos ou na proximidade de líquidos ou gases inflamáveis.** Ferramentas eléctricas produzem faíscas que podem provocar a ignição de pó e vapores.
- ▶ **Mantenha crianças e terceiros afastados durante os trabalhos.** Distracções podem conduzir à perda de controlo sobre a ferramenta.

Segurança eléctrica

- ▶ **A ficha da ferramenta eléctrica deve servir na tomada. A ficha não deve ser modificada de modo algum. Não utilize quaisquer adaptadores com ferramentas eléctricas com ligação terra.** Fichas originais (não modificadas) e tomadas adequadas reduzem o risco de choque eléctrico.
- ▶ **Evite o contacto do corpo com superfícies ligadas à terra, como, por exemplo, canos, radiadores, fogões e frigoríficos.** Existe um risco elevado de choque eléctrico se o corpo estiver com ligação à terra.
- ▶ **As ferramentas eléctricas não devem ser expostas à chuva nem à humidade.** A infiltração de água numa ferramenta eléctrica aumenta o risco de choque eléctrico.
- ▶ **Não use o cabo de ligação para transportar, pendurar ou desligar a ferramenta eléctrica da tomada. Mantenha o cabo de ligação afastado de calor, óleo, arestas vivas ou partes em movimento.** Cabos de ligação danificados ou emaranhados aumentam o risco de choque eléctrico.
- ▶ **Quando operar uma ferramenta eléctrica ao ar livre, utilize apenas cabos de extensão próprios para utilização no exterior.** A utilização de um cabo de extensão próprio para utilização no exterior reduz o risco de choques eléctricos.
- ▶ **Utilize um disjuntor diferencial se não puder ser evitada a utilização da ferramenta eléctrica em ambiente húmido.** A utilização de um disjuntor diferencial reduz o risco de choque eléctrico.

Segurança física

- ▶ **Esteja alerta, observe o que está a fazer, e tenha prudência ao trabalhar com uma ferramenta eléctrica. Se estiver cansado ou sob influência de drogas, álcool ou medicamentos não efectue nenhum trabalho com ferramentas eléctricas.** Um momento de distração ao operar a ferramenta eléctrica pode causar ferimentos graves.
- ▶ **Use equipamento de segurança. Use sempre óculos de protecção.** Equipamento de segurança, como, por exemplo, máscara antipoeiras, sapatos de segurança antiderrapantes, capacete de segurança ou protecção auricular, de acordo com o tipo e aplicação da ferramenta eléctrica, reduzem o risco de lesões.
- ▶ **Evite um arranque involuntário. Assegure-se de que a ferramenta eléctrica está desligada antes de a ligar à fonte de alimentação e/ou à bateria, pegar nela ou a transportar.** Transportar a ferramenta eléctrica com o dedo no interruptor ou ligar uma ferramenta à tomada com o interruptor ligado (ON) pode resultar em acidentes.
- ▶ **Remova quaisquer chaves de ajuste (chaves de fenda), antes de ligar a ferramenta eléctrica.** Um acessório ou chave deixado preso numa parte rotativa da ferramenta pode causar ferimentos.
- ▶ **Evite posturas corporais desfavoráveis. Mantenha sempre uma posição correcta, em perfeito equilíbrio.** Desta forma será mais fácil manter o controlo sobre a ferramenta eléctrica em situações inesperadas.
- ▶ **Use roupa apropriada. Não use roupa larga ou jóias. Mantenha o cabelo, vestuário e luvas afastados das peças móveis.** Roupas largas, jóias ou cabelos compridos podem ficar presos nas peças móveis.
- ▶ **Se poderem ser montados sistemas de remoção e de recolha de pó, assegure-se de que estes estão ligados e são utilizados correctamente.** A utilização de um sistema de remoção de pó pode reduzir os perigos relacionados com a exposição ao mesmo.
- ▶ **Não se acomode numa falsa sensação de segurança e não ignore os regulamentos de segurança para ferramentas eléctricas, mesmo se estiver familiarizado com a ferramenta eléctrica após numerosas utilizações.** Agir de forma descuidada pode causar ferimentos graves dentro duma fracção de segundo.

Utilização e manuseamento da ferramenta eléctrica

- ▶ **Não sobrecarregue a ferramenta. Use para o seu trabalho a ferramenta eléctrica correcta.** Com a ferramenta eléctrica adequada obterá maior eficiência e segurança se respeitar os seus limites.
- ▶ **Não utilize a ferramenta eléctrica se o interruptor estiver defeituoso.** Uma ferramenta eléctrica que já não possa ser accionada pelo interruptor é perigosa e deve ser reparada.



- ▶ **Retire a ficha da tomada e/ou remova uma bateria amovível antes de efectuar ajustes na ferramenta, substituir acessórios ou guardar a ferramenta.** Esta medida preventiva evita o accionamento accidental da ferramenta eléctrica.
- ▶ **Guarde ferramentas eléctricas não utilizadas fora do alcance das crianças. Não permita que a ferramenta seja utilizada por pessoas não familiarizadas com a mesma ou que não tenham lido estas instruções.** Ferramentas eléctricas operadas por pessoas não treinadas são perigosas.
- ▶ **Faça uma manutenção regular de ferramentas eléctricas e acessórios.** Verifique se as partes móveis funcionam perfeitamente e não emperram ou se há peças quebradas ou danificadas que possam influenciar o funcionamento da ferramenta eléctrica. Peças danificadas devem ser reparadas antes da utilização da ferramenta. Muitos acidentes são causados por ferramentas eléctricas com manutenção deficiente.
- ▶ **Mantenha as ferramentas de corte sempre afiadas e limpas.** Acessórios com gumes afiados tratados correctamente emperram menos e são mais fáceis de controlar.
- ▶ **Utilize a ferramenta eléctrica, acessórios, bits, etc., de acordo com estas instruções.** Tome também em consideração as condições de trabalho e o trabalho a ser efectuado. A utilização da ferramenta eléctrica para outros fins além dos previstos, pode ocasionar situações de perigo.
- ▶ **Mantenha punhos e respectivas superfícies secos, limpos e isentos de óleo e gordura.** Punhos e superfícies afins escorregadios não permitem um manuseamento e controlo seguro da ferramenta eléctrica em situações imprevistas.

Manutenção

- ▶ **A sua ferramenta eléctrica só deve ser reparada por pessoal qualificado e só devem ser utilizadas peças sobressalentes originais.** Isto assegurará que a segurança da ferramenta eléctrica se mantenha.

2.2 Indicações de segurança para todos os trabalhos

Normas de segurança comuns para trabalhos de rebarbar e de lixar com papel abrasivo:

- ▶ **Esta ferramenta eléctrica é para ser utilizada como rebarbadora e lixadora de papel abrasivo. Observe todas as normas de segurança, instruções, ilustrações e dados que vêm com a ferramenta.** Caso não observe as instruções que se seguem, pode ocorrer choque eléctrico, incêndio e/ou ferimentos graves.
- ▶ **Esta ferramenta eléctrica não pode ser utilizada para trabalhar com escovas de arame, polir, cortar orifícios ou cortar por abrasão.** Aplicações, para as quais a ferramenta eléctrica não está prevista, podem provocar perigos e ferimentos.
- ▶ **Não converta esta ferramenta eléctrica por forma a funcionar de um modo para o qual não tenha sido especificamente dimensionada e especificada pelo fabricante de ferramentas.** Uma conversão deste tipo pode originar a perda de controlo e causar graves danos em pessoas.
- ▶ **Não utilize acessórios que não tenham sido desenvolvidos e aprovados pelo fabricante especificamente para esta ferramenta eléctrica.** O simples facto de poder fixar o acessório na sua ferramenta eléctrica não garante uma utilização segura.
- ▶ **A velocidade permitida do acessório deve estar dimensionada para, no mínimo, a velocidade máxima que consta na ferramenta eléctrica.** Acessórios que rodam a uma velocidade superior à permitida podem fragmentar-se e ser projectados.
- ▶ **Diâmetro exterior e espessura do acessório devem corresponder às dimensões da sua ferramenta eléctrica.** Acessórios mal dimensionados não podem ser resguardados ou controlados o suficiente.
- ▶ **Acessórios com acoplamento de rosca têm de se ajustar exactamente à rosca do veio. No caso dos acessórios que são montados através de flange, o diâmetro do orifício do acessório tem de se ajustar ao diâmetro de encaixe do flange.** Acessórios que não são fixados correctamente na ferramenta eléctrica rodam de forma irregular, vibram fortemente e podem levar à perda do controlo.
- ▶ **Não utilize acessórios danificados. Antes de cada utilização, examine os acessórios, tais como discos de rebarbar quanto a fragmentos e fissuras; discos abrasivos quanto a fissuras, desgaste ou forte deterioração; escovas de arame quanto a arames soltos ou partidos. No caso de a ferramenta eléctrica ou o acessório cair, verifique se ficou danificado ou utilize um acessório intacto. Quando tiver examinado e montado o acessório, mantenha-se a si e pessoas que se encontrem nas proximidades, fora do plano do acessório em movimento e deixe trabalhar a ferramenta durante um minuto à velocidade máxima.** A maior parte dos acessórios danificados parte durante este período de ensaio.
- ▶ **Use equipamento de protecção individual. Use máscara de protecção integral, protecção ocular ou óculos de protecção consoante a aplicação. Desde que adequado, use máscara antipoeiras, protecção auricular, luvas de protecção ou avental especial para manter pequenas partículas de abrasão e de materiais afastadas de si.** Os olhos devem ser protegidos de objectos estranhos projectados que são produzidos em diversas aplicações. As máscaras antipoeiras ou respiratórias



devem filtrar as poeiras que são produzidas durante a utilização. Se estiver exposto durante muito tempo a ruído intenso, poderá vir a sofrer de perda de audição.

- ▶ **Assegure-se de que outras pessoas se mantêm afastadas o suficiente da sua zona de trabalho. Cada pessoa que entrar na zona de trabalho tem de usar equipamento de protecção individual.** Fragmentos da peça a trabalhar ou dos acessórios partidos podem ser projectados e provocar ferimentos mesmo para além da zona de trabalho directa.
- ▶ **Segure a ferramenta eléctrica apenas pelas áreas isoladas dos punhos, quando executar trabalhos onde o acessório pode encontrar cabos eléctricos encobertos ou o próprio cabo de rede.** O contacto com um cabo sob tensão também pode colocar partes metálicas da ferramenta sob tensão e causar um choque eléctrico.
- ▶ **Mantenha o cabo de rede afastado de acessórios em movimento.** Se perder o controlo sobre a ferramenta, o cabo de rede pode ser cortado ou agarrado e a sua mão ou braço puxado contra o acessório em movimento.
- ▶ **Nunca pouse a ferramenta eléctrica enquanto o acessório não estiver completamente parado.** O acessório em movimento pode entrar em contacto com a superfície de apoio, levando-o a perder o controlo sobre a ferramenta eléctrica.
- ▶ **Não deixe a ferramenta eléctrica a funcionar enquanto a transporta.** A sua roupa pode ser agarrada devido a contacto acidental com o acessório em movimento e este perfurar o corpo.
- ▶ **Limpe regularmente as saídas de ar da sua ferramenta eléctrica.** O ventilador do motor aspira poeiras para dentro da carcaça, podendo originar perigos de origem eléctrica devido a uma forte acumulação de pó metálicos.
- ▶ **Não utilize a ferramenta eléctrica na proximidade de materiais inflamáveis.** Faiscas podem inflamar tais materiais.
- ▶ **Não utilize quaisquer acessórios que exijam líquidos de refrigeração.** A utilização de água ou outros líquidos de refrigeração pode resultar num choque eléctrico.

Normas de segurança em caso de coice

O coice é a reacção repentina em consequência de um acessório em movimento, como disco de rebarbar, prato de rebarbar, escova de arame etc., preso ou bloqueado. A prisão ou bloqueio ocasiona uma paragem súbita do acessório em movimento. Isto faz com que uma ferramenta eléctrica descontrolada seja acelerada no ponto do bloqueio contra o sentido de rotação do acessório.

Quando, por ex., um disco de rebarbar prende ou fica bloqueado numa peça, o rebordo do disco que mergulha na peça pode encravar-se e o disco fugir ou provocar assim um coice. O disco de rebarbar move-se então no sentido do operador ou afasta-se dele, conforme o sentido de rotação do disco no ponto do bloqueio. Isto também pode levar à quebra dos discos de rebarbar.

Um coice é a consequência de uma utilização incorrecta ou deficiente da ferramenta eléctrica. Este pode ser evitado através de medidas de precaução adequadas, como descrito a seguir.

- ▶ **Agarre bem a ferramenta eléctrica com as duas mãos e coloque o corpo e os braços numa posição em que poderá absorver as forças do coice. Utilize sempre o punho adicional, caso exista, para ter o máximo controlo possível sobre as forças do coice ou os torques de reacção durante o arranque.** O operador pode dominar as forças do coice e de reacção através de medidas de precaução adequadas.
- ▶ **Nunca coloque a sua mão na proximidade de acessórios em movimento.** O acessório pode, em caso de coice, atravessar a sua mão.
- ▶ **Afaste o seu corpo da zona para onde a ferramenta eléctrica é deslocada no caso de um coice.** O coice propuliona a ferramenta eléctrica no sentido oposto ao do movimento do disco de rebarbar no ponto do bloqueio.
- ▶ **Trabalhe com particular precaução perto de cantos, arestas vivas, etc. Evite que acessórios ressaltem da peça e encravem.** O acessório em movimento tem a tendência de se encravar em cantos, arestas vivas ou quando ressalta, o que provoca uma perda de controlo ou coice.
- ▶ **Não utilize um disco com corrente ou dentado, nem um disco diamantado segmentado com fendas de largura superior a 10 mm.** Acessórios deste tipo provocam frequentemente um coice ou a perda do controlo sobre a ferramenta eléctrica.

Normas de segurança especiais para trabalhos de rebarbar e de corte por abrasão:

- ▶ **Utilize exclusivamente os rebolos autorizados para a sua ferramenta eléctrica e o resguardo de disco previsto para estes rebolos.** Rebolos que não estão previstos para a ferramenta eléctrica não podem ser resguardados o suficiente e não são seguros.
- ▶ **Discos de rebarbar côncavos devem ser montados de tal forma que a sua superfície de rebarbar não sobressaia do plano do rebordo do resguardo.** Um disco de rebarbar incorrectamente montado, que sobressaia do plano do rebordo do resguardo, não pode ser suficientemente blindado.



- ▶ **O resguardo de disco tem de estar bem colocado na ferramenta eléctrica e ajustado para um máximo de segurança de modo que a parte mais pequena possível do rebolo esteja virada de forma desprotegida para o operador.** O resguardo de disco ajuda a proteger o operador de fragmentos, contacto accidental com o rebolo bem como faíscas que poderiam incendiar o vestuário.
- ▶ **Rebolos só podem ser utilizados para as possibilidades de aplicação aprovadas. Por exemplo: nunca rebarbe com a superfície lateral de um disco de corte.** Discos de corte destinam-se à abrasão de material com o rebordo do disco. A aplicação lateral de força sobre estes rebolos pode parti-los.
- ▶ **Utilize sempre flanges de aperto não danificados, com a dimensão e forma apropriadas para o disco de rebarbar por si escolhido.** Flanges adequados apoiam o disco de rebarbar e reduzem assim o risco de quebra do disco. Flanges para discos de corte podem ser diferentes dos flanges para outros discos de rebarbar.
- ▶ **Não utilize discos de rebarbar gastos, de ferramentas eléctricas maiores.** Discos de rebarbar para ferramentas eléctricas maiores não estão dimensionados para as velocidades mais elevadas de ferramentas eléctricas mais pequenas, podendo partir.
- ▶ **Utilize sempre o resguardo previsto para a finalidade no caso de aplicar rebolos de utilização dupla.** A utilização de um resguardo errado pode proporcionar uma protecção insuficiente, podendo dar origem a ferimentos graves.

Normas de segurança especiais para trabalhos de lixar com papel abrasivo:

- ▶ **Utilize apenas folhas de lixa de tamanho adequado. Respeite as especificações do fabricante relativas ao tamanho das folhas de lixa.** Folhas de lixa que sobressaiam em demasia do prato de rebarbar podem provocar ferimentos, assim como levar ao bloqueio, ao rasgar das folhas de lixa ou a um contragolpe.

2.3 Normas de segurança adicionais

Segurança física

- ▶ Não é permitida a modificação ou manipulação do aparelho.
- ▶ Mantenha os punhos secos, limpos e isentos de óleo e gordura.
- ▶ Certifique-se de que o punho auxiliar está correctamente montado e devidamente apertado. Segure a ferramenta sempre com as duas mãos nos punhos previstos para o efeito.
- ▶ Faça pausas para relaxar os músculos e melhorar a circulação sanguínea nas mãos.
- ▶ A ferramenta não está concebida para pessoas debilitadas sem formação.
- ▶ Mantenha a ferramenta afastada das crianças.
- ▶ Evite o contacto com peças rotativas. Ligue a ferramenta apenas quando estiver no local de trabalho. O contacto com peças rotativas, especialmente ferramentas rotativas, pode causar ferimentos.
- ▶ A lixagem pode originar a pó nocivo. Antes de iniciar os trabalhos, verifique qual a classificação do tipo de pó produzido ao lixar. Para trabalhar com a ferramenta, utilize sempre que possível uma aspiração do pó com uma classificação de protecção oficialmente autorizada e que esteja de acordo com as regulamentações locais sobre emissão de poeiras nocivas para o ambiente.
- ▶ Pós de materiais, como tinta com chumbo, algumas madeiras, betão/alvenaria/rochas quartzíferas, minerais e metal podem ser nocivos. O contacto ou a inalação do pó podem provocar reacções alérgicas e/ou doenças das vias respiratórias no utilizador ou em pessoas que se encontrem nas proximidades. Determinados pós, como os de carvalho ou de faia, são considerados cancerígenos, especialmente em combinação com aditivos para o tratamento de madeiras (cromato, produtos para a preservação de madeiras). Material que contenha amianto só pode ser manuseado por pessoal especializado. **Se possível, utilize um aspirador de pó. Para alcançar um elevado grau de remoção de pó, utilize um aspirador móvel. Utilize igualmente uma máscara antipoeiras adequada ao respectivo pó. Assure-se de que o local de trabalho está bem ventilado. Respeite as regulamentações em vigor no seu país relativas aos materiais a trabalhar.**
- ▶ Antes de iniciar o trabalho de lixar, remova com cuidado componentes sobressalientes, tais como, p. ex., pregos, parafusos, etc.
- ▶ Ao lixar pode surgir uma projecção de faíscas. Certifique-se de que nenhuma pessoa é colocada em risco.
- ▶ Os discos de rebarbar devem ser guardados e manuseados de acordo com as instruções do fabricante.
- ▶ Fixe a peça a trabalhar. Utilize grampos ou um torno de bancada para fixar a peça a trabalhar. Desta forma a peça fica mais segura do que com as mãos e, além disso, fica com ambas as mãos livres para operar o produto.

Utilização e manutenção de ferramentas eléctricas

- ▶ Antes de cada colocação em funcionamento, mesmo após pausas de trabalho, certifique-se de que a ferramenta ainda está fixa.



Segurança eléctrica

- ▶ Antes de iniciar os trabalhos, verifique o local de trabalho relativamente a cabos eléctricos encobertos, bem como tubos de gás e água, por ex., com um detector de metais. Partes metálicas externas da ferramenta podem transformar-se em condutores de corrente se, por ex., uma linha eléctrica for danificada inadvertidamente. Isto representa um sério perigo de choque eléctrico.
- ▶ Verifique o cabo de conexão regularmente. Se danificado, deve ser imediatamente substituído por um especialista reconhecido. Quando o cabo de conexão da ferramenta eléctrica está danificado, deve ser substituído por um cabo de conexão específico e aprovado, que se encontra disponível através do Serviço de Clientes Hilti. Verifique as extensões de cabo regularmente. Se estiverem danificadas, deverão ser substituídas. Se danificar o cabo ou a extensão enquanto trabalha, não lhe toque. Retire a ficha de rede da tomada. Cabos de conexão e extensões danificados representam um risco de choque eléctrico.
- ▶ Deste modo, as ferramentas utilizadas frequentemente para trabalhar materiais condutores e, consequentemente, muito sujas, devem ser verificadas regularmente num Centro de Assistência Técnica Hilti. Humidade ou sujidade na superfície da ferramenta dificultam o seu manuseamento e, sob condições desfavoráveis, podem causar choques eléctricos.

Segurança pessoal

- ▶ Assegure-se de que o local de trabalho está bem ventilado. Recomenda-se que use uma máscara antipoeiras com filtro da classe P2.
- ▶ A mó diamantada, peças do resguardo ou da ferramenta (cabeça de engrenagem) podem ficar quentes devido à utilização. Toque nestas peças apenas com luvas de protecção, de modo a evitar queimaduras.

Informações adicionais sobre a utilização dos resguardos

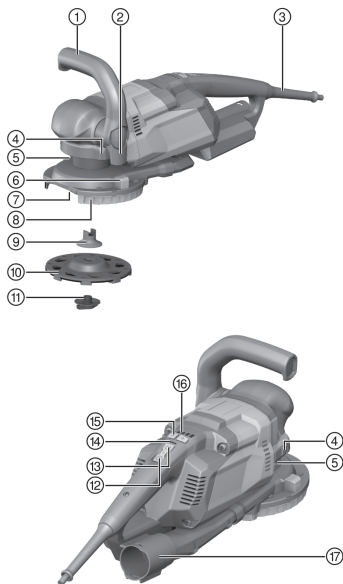
Para evitar os riscos seguintes, utilize sempre o resguardo correcto.

- ▶ Ao utilizar o resguardo de origem para rectificação plana, o resguardo pode tocar na peça trabalhada, podendo, assim, levar à perda do controlo.
- ▶ Ao utilizar o resguardo de origem, com ou sem tampa dianteira, para rectificar betão ou alvenaria, há uma maior carga de pó e um maior risco de perder o controlo do produto, o que pode dar origem a contragolpes.



3 Descrição

3.1 Vista geral do produto



- ① Punho auxiliar
- ② Alavanca de aperto do punho auxiliar
- ③ Cabo de alimentação
- ④ Botões de destravamento do estribo de retenção
- ⑤ Ajuste em altura do resguardo
- ⑥ Alavanca de ajuste para abertura de segmento
- ⑦ Abertura de segmento
- ⑧ Resguardo com vedação lamelar
- ⑨ Flange de montagem
- ⑩ Mó diamantada
- ⑪ Parafuso de aperto rápido **Keyless**
- ⑫ Tecla Ligar/Desligar
- ⑬ Tecla de bloqueio para operação contínua
- ⑭ LED indicador de funcionamento
- ⑮ Teclas de selecção de velocidade
- ⑯ Indicação da velocidade
- ⑰ Bocal do removedor de pó

3.2 Utilização conforme a finalidade projectada

O produto descrito é um sistema diamantado de accionamento eléctrico para lixagem a seco e lixagem fina de materiais base de origem mineral. Utilize o sistema diamantado apenas em combinação com um removedor de pó.

O sistema diamantado destina-se exclusivamente ao desbaste a seco de bases minerais não revestidas, assim como, de revestimentos finos de betão e bases minerais semelhantes com uma espessura máxima de camada de 3 mm (0,12 in).

3.3 Uso incorrecto não permitido

Não utilize quaisquer acessórios que não tenham sido aprovados para o produto. Entre estes, encontram-se discos de corte, discos de corte diamantados e escovas de arame.

Não utilize o produto para a lixagem a húmido, nem para rebarbar objectos salientes, como pregos ou parafusos.

Não utilize o produto com lamelas gastas no dispositivo de extracção de pó; nunca utilize o produto sem removedor de pó.

Nunca utilize a esponja abrasiva com rotações não permitidas.

Uma carga electrostática pode colocar o sistema electrónico do produto fora de funcionamento. Utilize uma mangueira de aspiração antiestática de modo a evitar efeitos electrostáticos.

3.4 Incluído no fornecimento

Rebarbadora, manual de instruções, flange de montagem, parafuso de aperto rápido **Keyless**.

Poderá encontrar outros produtos de sistema aprovados para o seu produto na sua **Hilti Store** ou em: www.hilti.group



4 Características técnicas



Consulte a tensão nominal, corrente nominal, frequência e/ou potência nominal na sua placa de características específica do país.

Em caso de alimentação por um gerador ou transformador, a respectiva potência de saída deverá ter, no mínimo, o dobro da potência nominal indicada na placa de características da ferramenta. A tensão de serviço do transformador ou gerador deverá encontrar-se sempre entre +5% e -15% da tensão nominal da ferramenta.

Rotações por minuto (nível 1)	3 300 rpm
Rotações por minuto (nível 2)	4 125 rpm
Rotações por minuto (nível 3)	4 950 rpm
Rotações por minuto (nível 4)	5 775 rpm
Rotações por minuto (nível 5)	6 600 rpm
Velocidade nominal de rotação em vazio	7 000 rpm
Diâmetro do disco	6 in
Espessura do disco	4 mm ... 4,5 mm (0,2 in ... 0,18 in)
Diâmetro da rosca	M6

5 Preparação do local de trabalho

CUIDADO

Risco de ferimentos! Arranque inadvertido do produto.

- ▶ Retire a ficha antes de efectuar ajustes na ferramenta ou substituir acessórios.

Tenha em atenção as instruções de segurança e as advertências nesta documentação e no produto.

5.1 Montar o acessório

CUIDADO

Perigo de danificação e de ferimento devido a parafuso de aperto rápido danificado Keyless. O parafuso de aperto rápido **Keyless** pode partir se for apertado com demasiada força.

- ▶ Não utilize nunca uma ferramenta para apertar o parafuso de aperto rápido **Keyless**. Aperte-o exclusivamente à mão.

1. Limpe o porta-ferramentas.
2. Insira a flange de montagem no veio e engate-a.
3. Insira o acessório no colar de centragem da flange de montagem.
4. Enrosque o parafuso de aperto rápido no veio de accionamento e aperte-o bem à mão.

5.2 Desmontar o acessório

1. Solte a porca tensora.
2. Retire o acessório.

5.3 Ajustar o punho auxiliar

1. Para soltar o punho auxiliar, abra a alavanca de aperto.
2. Ajuste o punho auxiliar para a posição pretendida.
3. Feche a alavanca de aperto.

5.4 Ajustar o resguardo

Requisito: A rebarbadora está desligada.

1. Coloque a rebarbadora sobre o disco de rebarbar.



2. Ajuste a altura através do ajuste de altura.
 - ▶ **Altura ideal:** aproximadamente 1mm de distância entre as lamelas e a superfície.
3. Se trabalhar ao longo de um canto, rode a abertura de segmento do resguardo para a posição pretendida.
4. Volte a fechar a abertura de segmento depois de ter trabalhado ao longo de um canto.

5.5 Seleccionar a velocidade

1. Através do selector de velocidades, seleccione uma velocidade em função do acessório utilizado e da dureza do material base.



A selecção de velocidade só é possível se a ferramenta estiver ligada à rede eléctrica.

2. Utilize a 1.ª velocidade para desbastar bases minerais macias, como, p. ex., tintas em reboco de cimento, para garantir uma melhor aspiração do pó e, ao desbastar revestimentos em bases macias, para conduzir mais facilmente a ferramenta.
3. Utilize a 5.ª velocidade para o desbaste de bases minerais duras, tais como betão, betonilha ou pedra, para utilizar toda a potência das ferramentas.

6 Trabalhar

6.1 Utilização



AVISO

Perigo devido a cabo danificado! Se danificar o cabo enquanto trabalha, desligue imediatamente o aparelho e o cabo da rede eléctrica. Não toque no local com defeito!

- ▶ Verifique regularmente todos os cabos de alimentação. Substitua o cabo de extensão defeituoso. Mandê substituir os cabos de alimentação danificados por um especialista reconhecido.

Por princípio, recomendamos a utilização de um disjuntor diferencial (RCD) com uma corrente de disparo de, no máximo, 30 mA.

6.2 Ligar



CUIDADO

Risco de ferimentos. Acessórios mal fixos podem soltar-se.

- ▶ Antes de cada utilização, verifique se os acessórios estão bem fixos.

1. Ligue o sistema diamantado ao aspirador industrial.
2. Levante a ferramenta da superfície de trabalho.
3. Pressione o interruptor on/off e mantenha-o pressionado.
 - ▶ O LED de controlo da tecla de bloqueio pisca.
4. Pressione a tecla de bloqueio para ligar permanentemente a rebarbadora.



O accionamento da tecla de bloqueio tem de ocorrer no intervalo de um segundo.

6.3 Efetuar teste em caso de mó diamantada nova



CUIDADO

Risco de ferimentos! Os discos de rebarbar danificados podem soltar-se.

- ▶ Proteja os discos de rebarbar contra impactos, choques e gordura.
 - ▶ Não utilize quaisquer discos de rebarbar vibratórios.
-
- ▶ Deixe a rebarbadora a funcionar, pelo menos, durante 1 minuto, sem carga.

6.4 Lixar

1. Seleccione uma velocidade. 45
2. Ligue a rebarbadora. 45
3. Apoie a ferramenta com o acessório e mova-a em movimento de vai-vem.



- Trabalhe com pressão moderada e não pressione a ferramenta para dentro do material.
- Ao trabalhar materiais base de origem mineral especialmente duros (por exemplo, betão) com elevada proporção de gravilha, a mó diamantada pode sobreaquecer e ficar danificada devido a isso. Neste caso, interrompa o processo de rebarbar e deixe que a mó diamantada continue a trabalhar sem carga, em vazio, para que possa arrefecer.

6.5 Desligar

- Para desligar a ferramenta, pressione a tecla de bloqueio ou o interruptor on/off.

7 Conservação e manutenção

AVISO

Perigo devido a choque eléctrico! A conservação e manutenção com a ficha de ligação inserida pode originar ferimentos graves e queimaduras.

- Retirar sempre a ficha de ligação antes de todos os trabalhos de conservação e manutenção!

Conservação

- Remover a sujidade persistente com cuidado.
- Limpe as saídas de ar cuidadosamente com uma escova seca.
- Limpar a carcaça apenas com um pano ligeiramente humedecido. Não utilizar produtos de conservação que contenham silicone, uma vez que estes poderiam danificar os componentes de plástico.

Manutenção

AVISO



Perigo devido a choque eléctrico! Reparações incorrectas em peças eléctricas podem causar ferimentos e queimaduras graves.

- As reparações na parte eléctrica apenas podem ser executadas por um electricista especializado.
- Verificar, regularmente, todos os componentes visíveis quanto a danos e os comandos operativos quanto a funcionamento perfeito.
- Em caso de danos e/ou perturbações de funcionamento, não operar o produto. Mandar reparar de imediato pelo Centro de Assistência Técnica **Hilti**.
- Após os trabalhos de conservação e manutenção, aplicar todos os dispositivos de protecção e verificar o respectivo funcionamento.



Para um funcionamento seguro, utilize apenas peças sobresselentes e consumíveis originais. Poderá encontrar peças sobresselentes, consumíveis e acessórios aprovados por nós para o seu produto no seu **Hilti Store** ou em: **www.hilti.group**.

7.1 Limpar o resguardo e o canal de aspiração

- Desmonte o acessório.  44
- Retire a flange de montagem do veio.
- Coloque a alavanca para regulação da altura ao centro.
- Pressione ambos os botões de destravamento e retire o estribo de retenção para a frente.
- Retire o resguardo da ferramenta para baixo.
- Retire o canal de aspiração do bocal.
- Limpe o resguardo, o canal de aspiração e o bocal.
- Ligue o canal de aspiração ao bocal. Preste atenção ao posicionamento correcto do O-ring.
- Ligue o resguardo ao canal de aspiração. Preste atenção ao posicionamento correcto do O-ring. De seguida, empurre o resguardo na ferramenta, sobre o veio.
- Fixe o resguardo ao estribo de retenção. Certifique-se de que o estribo de retenção engata correctamente.
- Monte o acessório.  44

7.2 Substituir as lâminas



Substitua as lâminas quando estas estiverem desgastadas.



1. Desmonte o acessório. 44
2. Retire as lâminas para fora do resguardo. Se necessário, utilize um alicate.
3. Pressione as lâminas novas para dentro da ranhura do resguardo até que estas engatem.
4. Monte o acessório. 44

8 Transporte e armazenamento

Transporte

- ▶ Não transporte este produto com a ferramenta inserida.
- ▶ Certificar-se de que está bem apertado durante o transporte.
- ▶ Após cada transporte, verifique todos os componentes visíveis quanto a danos e os comandos operativos quanto a funcionamento perfeito.

Armazenamento

- ▶ Armazene este produto sempre com a ficha de rede retirada.
- ▶ Guarde este produto num local seco e fora do alcance das crianças e pessoas não autorizadas.
- ▶ Após um armazenamento prolongado, verifique todos os componentes visíveis quanto a danos e os comandos operativos quanto a funcionamento perfeito.

9 Mais informações

Podem consultar informações mais pormenorizadas sobre Utilização, Tecnologia, Meio ambiente e Reciclagem na seguinte hiperligação: qr.hilti.com/manual/?id=2240962

Também pode encontrar esta hiperligação no final da documentação sob a forma de código QR.

10 Reciclagem

As ferramentas **Hilti** são, em grande parte, fabricadas com materiais recicláveis. Um pré-requisito para a reciclagem é que esses materiais sejam devidamente separados. Em muitos países, a **Hilti** aceita a sua ferramenta usada para reutilização. Para mais informações dirija-se ao Serviço de Clientes **Hilti** ou ao seu vendedor.



- ▶ Não deite as ferramentas eléctricas, aparelhos electrónicos e baterias no lixo doméstico!
-

11 Garantia do fabricante

- ▶ Se tiver dúvidas em relação às condições de garantia, contacte o seu parceiro **Hilti** local.









Hilti Corporation
LI-9494 Schaan
Tel.:+423 234 21 11
Fax:+423 234 29 65
www.hilti.group



2240962