



# KCM-MD Long Plate $\frac{5}{8}'' + \frac{3}{4}''$

2222401-11.2024

**15** KWIK CAST  
KCM-MD L  $\frac{5}{8}'' + \frac{3}{4}''$   
GRY-BLK  
#2221705



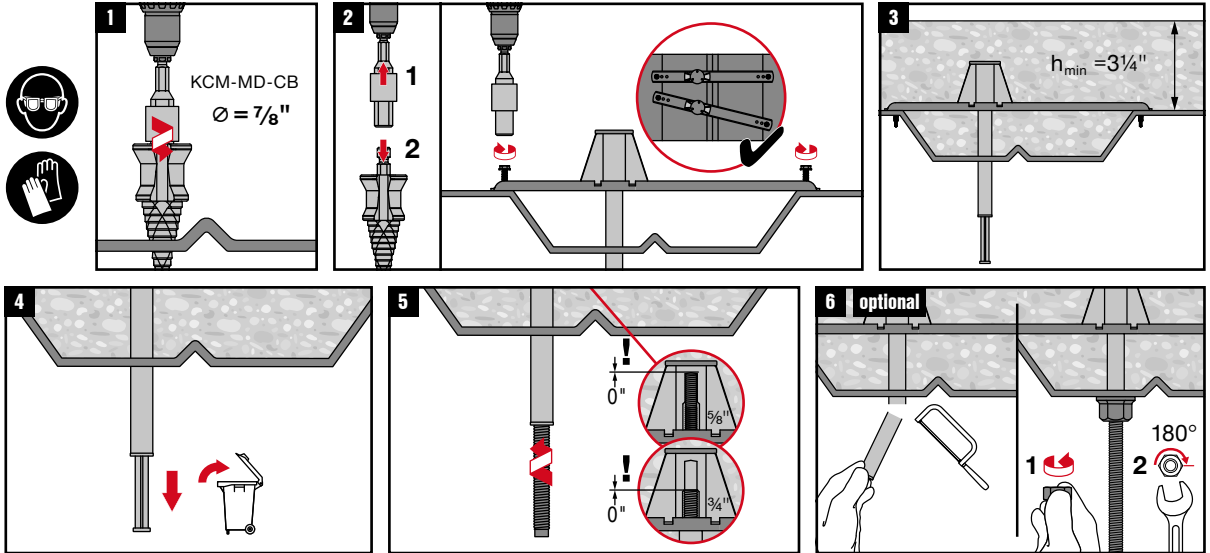
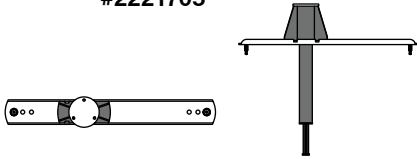
Info | Shop



qr.hilti.com/2221705

Batch Tracking  
Information

Made in Taiwan  
Hilti = trademark of Hilti Corp., Schaun, LI



Per FM approval, the metal plate of the insert must be on top of the deck flutes. For seismic bracing applications cut tube flush to bottom of metal deck.  
\*Turn threaded rod until bottomed out to ensure full thread engagement.