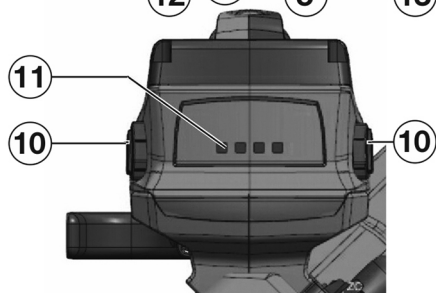
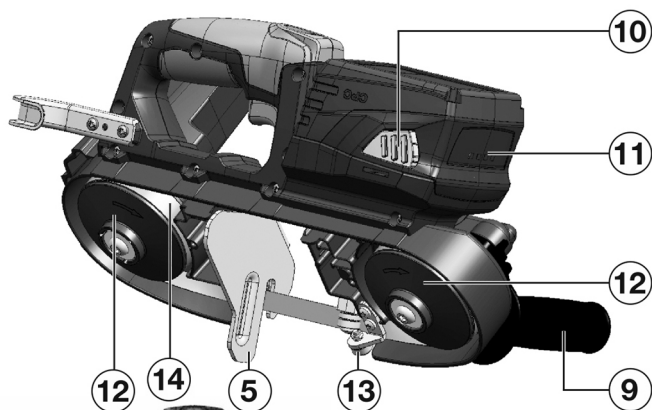
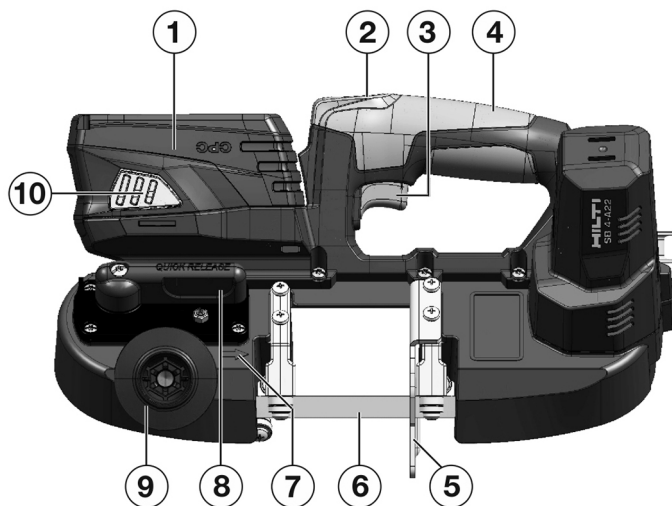
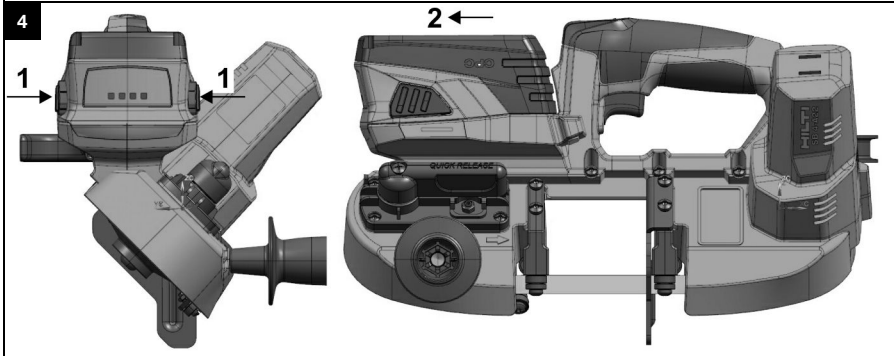
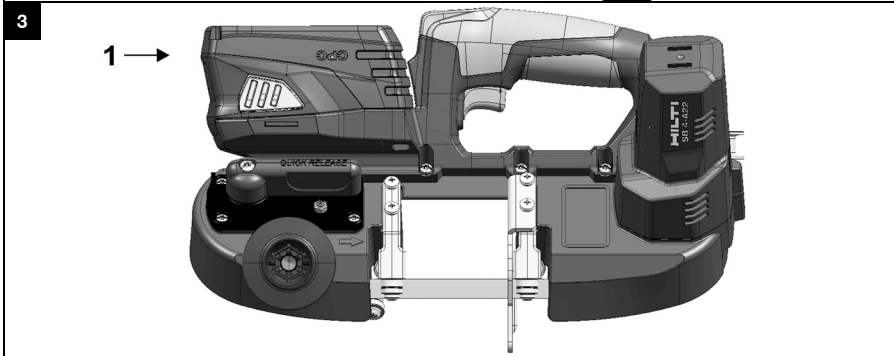
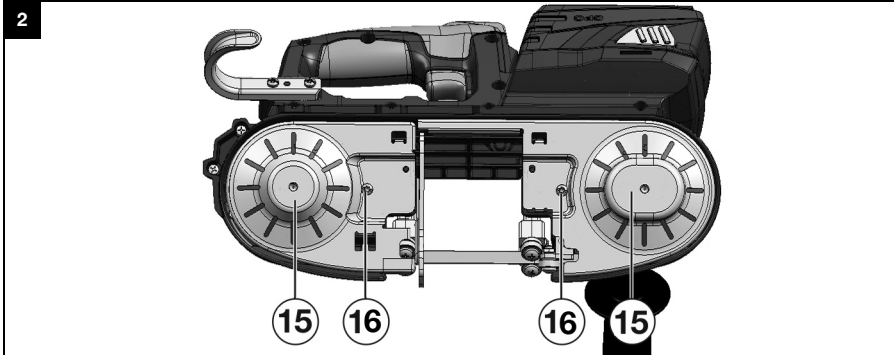


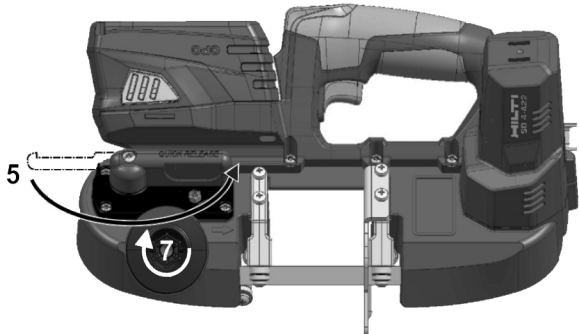
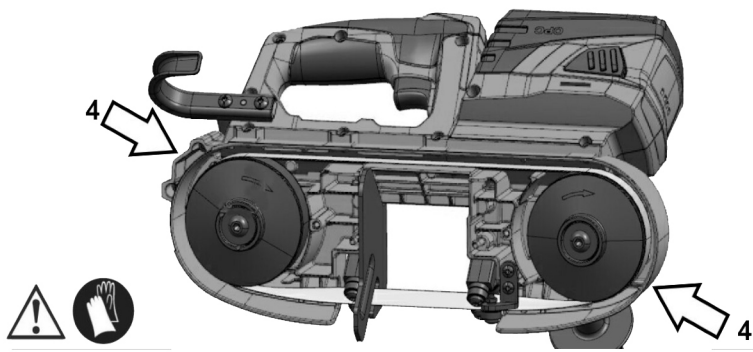
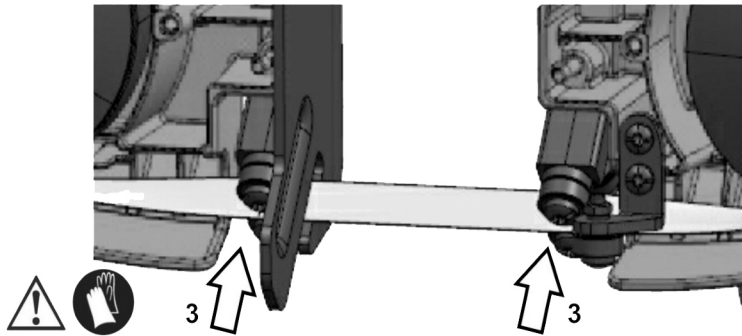
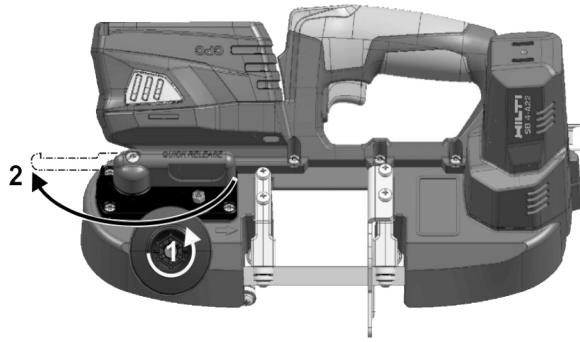


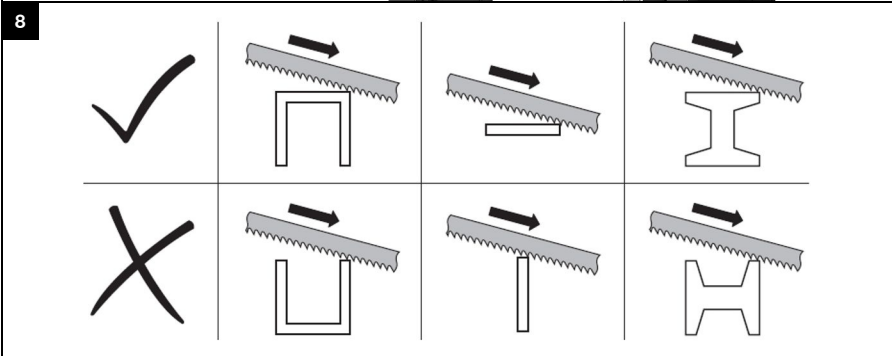
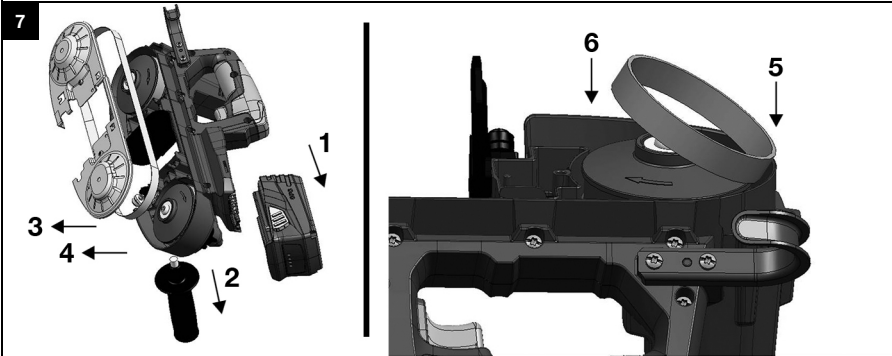
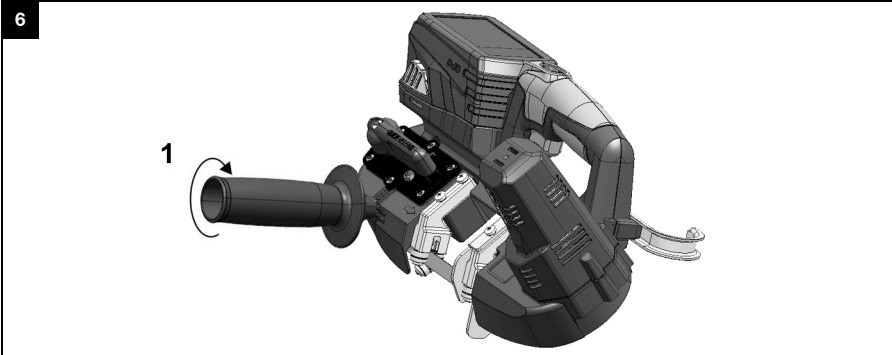
SB 4-A22

English	1
Français	12
Español	23
Português	34









# SB 4-A22

en	Original operating instructions .....	1
fr	Mode d'emploi original .....	12
es	Manual de instrucciones original .....	23
pt	Manual de instruções original .....	34

# Original operating instructions

## 1 Information about the documentation

### 1.1 About this documentation

- Read this documentation before initial operation or use. This is a prerequisite for safe, trouble-free handling and use of the product.
- Observe the safety instructions and warnings in this documentation and on the product.
- Always keep the operating instructions with the product and make sure that the operating instructions are with the product when it is given to other persons.

### 1.2 Explanation of symbols used

#### 1.2.1 Warnings

Warnings alert persons to hazards that occur when handling or using the product. The following signal words are used:

#### DANGER

##### DANGER !

- ▶ Draws attention to imminent danger that will lead to serious personal injury or fatality.

#### WARNING

##### WARNING !

- ▶ Draws attention to a potential threat of danger that can lead to serious injury or fatality.

#### CAUTION

##### CAUTION !

- ▶ Draws attention to a potentially dangerous situation that could lead to slight personal injury or damage to the equipment or other property.

#### 1.2.2 Symbols in the documentation

The following symbols are used in this document:

	Read the operating instructions before use.
	Instructions for use and other useful information
	Dealing with recyclable materials
	Do not dispose of electric equipment and batteries as household waste

#### 1.2.3 Symbols in the illustrations

The following symbols are used in illustrations:

	These numbers refer to the corresponding illustrations found at the beginning of these operating instructions
	The numbering reflects the sequence of operations shown in the illustrations and may deviate from the steps described in the text
	Item reference numbers are used in the <b>overview illustrations</b> and refer to the numbers used in the <b>product overview section</b>
	This symbol is intended to draw special attention to certain points when handling the product.



### 1.3 Product-dependent symbols

#### 1.3.1 Symbols

The following symbols can be used on the product:

	Direct current (DC)
	The power tool supports near-field communication (NFC) technology, which is compatible with iOS and Android platforms.
Li-Ion	Li-ion battery
	<b>Hilti</b> Li-ion battery type series used. Observe the information given in the section headed <b>Intended use</b> .
	Never use the battery as a striking tool.
	Do not drop the battery. Never use a battery that has suffered an impact or is damaged in any other way.

### 1.4 Product information

products are designed for professional users and only trained, authorized personnel are permitted to operate, service and maintain the products. This personnel must be specifically informed about the possible hazards. The product and its ancillary equipment can present hazards if used incorrectly by untrained personnel or if used not in accordance with the intended use.

The type designation and serial number are printed on the rating plate.

- ▶ Write down the serial number in the table below. You will be required to state the product details when contacting Hilti Service or your local Hilti organization to inquire about the product.

#### Product information

Bandsaw	SB 4-A22
Generation:	01
Serial no.:	

### 1.5 Declaration of conformity

We declare, on our sole responsibility, that the product described here complies with the applicable directives and standards. A copy of the declaration issued by the certification department can be found at the end of this documentation.

The technical documentation is filed here:

**Hilti** Entwicklungsgesellschaft mbH | Tool Certification | Hiltistrasse 6 | 86916 Kaufering, Germany

## 2 Safety

### 2.1 General power tool safety warnings

**WARNING** Read all safety warnings, instructions, illustrations and specifications provided with this power tool. Failure to follow all instructions listed below may result in electric shock, fire and/or serious injury. **Save all warnings and instructions for future reference.**

The term "power tool" in the warnings refers to your mains-operated (corded) power tool or battery-operated (cordless) power tool.

#### Work area safety

- ▶ **Keep work area clean and well lit.** Cluttered or dark areas invite accidents.
- ▶ **Do not operate power tools in explosive atmospheres, such as in the presence of flammable liquids, gases or dust.** Power tools create sparks which may ignite the dust or fumes.
- ▶ **Keep children and bystanders away while operating a power tool.** Distractions can cause you to lose control.





### Electrical safety

- ▶ **Power tool plugs must match the outlet. Never modify the plug in any way. Do not use any adapter plugs with earthed (grounded) power tools.** Unmodified plugs and matching outlets will reduce risk of electric shock.
- ▶ **Avoid body contact with earthed or grounded surfaces, such as pipes, radiators, ranges and refrigerators.** There is an increased risk of electric shock if your body is earthed or grounded.
- ▶ **Do not expose power tools to rain or wet conditions.** Water entering a power tool will increase the risk of electric shock.
- ▶ **Do not abuse the cord. Never use the cord for carrying, pulling or unplugging the power tool. Keep cord away from heat, oil, sharp edges or moving parts.** Damaged or entangled cords increase the risk of electric shock.
- ▶ **When operating a power tool outdoors, use an extension cord suitable for outdoor use.** Use of a cord suitable for outdoor use reduces the risk of electric shock.
- ▶ **If operating a power tool in a damp location is unavoidable, use a residual current device (RCD) protected supply.** Use of an RCD reduces the risk of electric shock.

### Personal safety

- ▶ **Stay alert, watch what you are doing and use common sense when operating a power tool. Do not use a power tool while you are tired or under the influence of drugs, alcohol or medication.** A moment of inattention while operating power tools may result in serious personal injury.
- ▶ **Use personal protective equipment. Always wear eye protection.** Protective equipment such as a dust mask, non-skid safety shoes, hard hat or hearing protection used for appropriate conditions will reduce personal injuries.
- ▶ **Prevent unintentional starting. Ensure the switch is in the off-position before connecting to power source and/or battery pack, picking up or carrying the tool.** Carrying power tools with your finger on the switch or energising power tools that have the switch on invites accidents.
- ▶ **Remove any adjusting key or wrench before turning the power tool on.** A wrench or a key left attached to a rotating part of the power tool may result in personal injury.
- ▶ **Do not overreach. Keep proper footing and balance at all times.** This enables better control of the power tool in unexpected situations.
- ▶ **Dress properly. Do not wear loose clothing or jewellery. Keep your hair and clothing away from moving parts.** Loose clothes, jewellery or long hair can be caught in moving parts.
- ▶ **If devices are provided for the connection of dust extraction and collection facilities, ensure these are connected and properly used.** Use of dust collection can reduce dust-related hazards.
- ▶ **Do not let familiarity gained from frequent use of tools allow you to become complacent and ignore tool safety principles.** A careless action can cause severe injury within a fraction of a second.

### Power tool use and care

- ▶ **Do not force the power tool. Use the correct power tool for your application.** The correct power tool will do the job better and safer at the rate for which it was designed.
- ▶ **Do not use the power tool if the switch does not turn it on and off.** Any power tool that cannot be controlled with the switch is dangerous and must be repaired.
- ▶ **Disconnect the plug from the power source and/or remove the battery pack, if detachable, from the power tool before making any adjustments, changing accessories, or storing power tools.** Such preventive safety measures reduce the risk of starting the power tool accidentally.
- ▶ **Store idle power tools out of the reach of children and do not allow persons unfamiliar with the power tool or these instructions to operate the power tool.** Power tools are dangerous in the hands of untrained users.
- ▶ **Maintain power tools and accessories. Check for misalignment or binding of moving parts, breakage of parts and any other condition that may affect the power tool's operation. If damaged, have the power tool repaired before use.** Many accidents are caused by poorly maintained power tools.
- ▶ **Keep cutting tools sharp and clean.** Properly maintained cutting tools with sharp cutting edges are less likely to bind and are easier to control.
- ▶ **Use the power tool, accessories and tool bits etc. in accordance with these instructions, taking into account the working conditions and the work to be performed.** Use of the power tool for operations different from those intended could result in a hazardous situation.
- ▶ **Keep handles and grasping surfaces dry, clean and free from oil and grease.** Slippery handles and grasping surfaces do not allow for safe handling and control of the tool in unexpected situations.



**Battery tool use and care**

- ▶ **Recharge only with the charger specified by the manufacturer.** A charger that is suitable for one type of battery pack may create a risk of fire when used with another battery pack.
- ▶ **Use power tools only with specifically designated battery packs.** Use of any other battery packs may create a risk of injury and fire.
- ▶ **When battery pack is not in use, keep it away from other metal objects, like paper clips, coins, keys, nails, screws or other small metal objects, that can make a connection from one terminal to another.** Shorting the battery terminals together may cause burns or a fire.
- ▶ **Under abusive conditions, liquid may be ejected from the battery; avoid contact. If contact accidentally occurs, flush with water. If liquid contacts eyes, additionally seek medical help.** Liquid ejected from the battery may cause irritation or burns.
- ▶ **Do not use a battery pack or tool that is damaged or modified.** Damaged or modified batteries may exhibit unpredictable behaviour resulting in fire, explosion or risk of injury.
- ▶ **Do not expose a battery pack or tool to fire or excessive temperature.** Exposure to fire or temperature above 130° C (265 °F) may cause explosion.
- ▶ **Follow all charging instructions and do not charge the battery pack or tool outside the temperature range specified in the instructions.** Charging improperly or at temperatures outside the specified range may damage the battery and increase the risk of fire.

**Service**

- ▶ **Have your power tool serviced by a qualified repair person using only identical replacement parts.** This will ensure that the safety of the power tool is maintained.
- ▶ **Never service damaged battery packs.** Service of battery packs should only be performed by the manufacturer or authorized service providers.

**2.2 Additional safety instructions for saws****Personal safety**

- ▶ Keep your hands away from the cutting area and the blade. Keep your second hand on the auxiliary grip or the motor housing. If both hands are holding the saw, they cannot be injured by the saw.
- ▶ Only use the product if it is in perfect working order.
- ▶ Never tamper with or modify the tool in any way.
- ▶ Avoid touching rotating parts – risk of injury!
- ▶ Wear protective gloves also when changing the accessory tool. Touching the accessory tool presents a risk of injury (cuts or burns).
- ▶ Before starting work, check the hazard class of the dust that will be produced when working. Use an industrial vacuum cleaner with an officially approved protection class in compliance with the locally applicable dust protection regulations. Dust from materials such as lead-based paint, certain types of wood and concrete/masonry/stone containing quartz, minerals or metal may be harmful to health.
- ▶ Make sure that the workplace is well ventilated and, where necessary, wear a respirator appropriate for the type of dust generated. Contact with or inhalation of the dust may cause allergic reactions and/or respiratory or other diseases to the operator or bystanders. Material containing asbestos may be handled only by specialists.
- ▶ Blade depth and bevel adjusting locking levers must be tight and secure before making cut. If the blade adjustment mechanism shifts while cutting, it may cause the saw blade to bind and kick back.
- ▶ Adjust the cutting depth to the thickness of the workpiece. Less than a full tooth of the blade should be visible below the workpiece.
- ▶ When ripping, always use a fence or straight edge guide. This improves the accuracy of the cut and reduces the chance of the blade binding.
- ▶ Do not reach underneath the workpiece. The guard cannot protect you from the saw below the workpiece.
- ▶ Never hold the piece being cut in your hands or across your leg. Secure the workpiece to a stable support.
- ▶ Always hold the tool with both hands on the grips provided and bring your arms into a position in which they can take up the force of any kickback.
- ▶ Keep the grips clean and dry.
- ▶ Position your body to either side of the blade, but not in line with the blade. The saw may jump back if kickback occurs.
- ▶ If the saw blade binds or sticks, or if the cutting operation has to be interrupted, switch the saw off and hold the saw steady until the saw blade comes to a complete standstill. Never attempt to remove the saw from the workpiece or pull the saw back while the blade is in motion. Kickback may otherwise occur.



- ▶ When restarting the saw in the workpiece, center the saw blade in the kerf and check that saw teeth are not engaged in the material to be cut.
- ▶ Use extra caution when cutting into existing walls or other blind areas. The protruding blade may cut into concealed objects, causing stalling and kickback.

#### **Electrical safety**

- ▶ Before beginning the work, check the working area for concealed electric cables or gas and water pipes. External metal parts of the power tool may become live, presenting a risk of electric shock, if the blade inadvertently cuts into a live electric cable.
- ▶ Hold the power tool by the insulated gripping surfaces when performing work in which the accessory tool might come into contact with concealed wiring. If the accessory tool comes into contact with a live wire, metal parts of the power tool can also become live, presenting a risk of electric shock.

#### **Careful handling and use of electric tools**

- ▶ Always use only saw blades of the specified dimensions and with an arbor hole of the correct size.
- ▶ Do not use dull/blunt or damaged blades. These cause increased friction and present a high risk of the saw blade binding or kicking back.
- ▶ Never use damaged or incorrect blade washers or bolts.
- ▶ Observe the manufacturer's instructions regarding the handling and storage of saw blades.

### **2.3 Safety instructions for bandsaws**

- ▶ **Hold the power tool by the insulated gripping surfaces, when performing an operation where the cutting accessory may contact hidden wiring** Cutting accessories contacting a "live" wire may make exposed metal parts of the power tool "live" and could give the operator an electric shock.

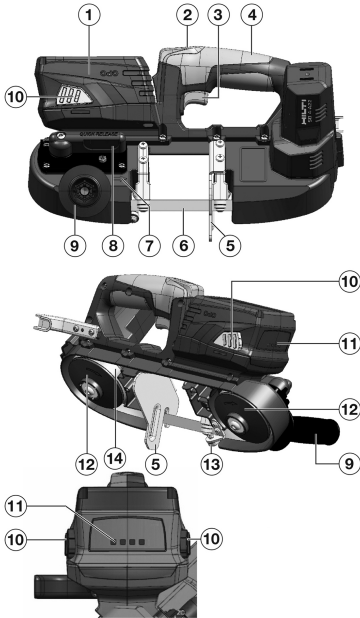
### **2.4 Battery use and care**

- ▶ Observe the special regulations and instructions applicable to the transport, storage and use of Li-ion batteries.
- ▶ Do not expose batteries to high temperatures, direct sunlight or fire.
- ▶ Do not disassemble, crush or incinerate batteries and do not subject them to temperatures over 80 °C.
- ▶ Do not use or charge batteries that have suffered mechanical impact, have been dropped from a height or show signs of damage. In this case, always contact your **Hilti Service**.
- ▶ If the battery is too hot to touch it may be defective. In this case, place the product in a non-flammable location, well away from flammable materials, where it can be kept under observation and allowed to cool down. In this case, always contact your **Hilti Service**.



### 3 Description

#### 3.1 Product overview 1



- ① Battery
- ② Control switch safety lock (switch-on interlock)
- ③ Control switch
- ④ Grip (insulated gripping surface)
- ⑤ Guide
- ⑥ Bandsaw blade
- ⑦ Direction-of-rotation arrow on casing
- ⑧ Lever for tensioning bandsaw blade
- ⑨ Side handle (insulated gripping surface)
- ⑩ Battery release button
- ⑪ Battery state of charge indicator
- ⑫ Roller for bandsaw blade
- ⑬ Blade guide
- ⑭ Rubber ring

#### 3.2 Product overview 2

- ⑮ Saw blade guard
- ⑯ Saw blade guard fastening screw

#### 3.3 Intended use

The product described is a cordless bandsaw. It is designed for cutting metals and plastics. The product is designed for two-handed operation.

- Use only **Hilti** lithium-ion batteries of the B 22 series with this product.
- Use only **Hilti**-approved battery chargers to charge these batteries. More information is available from your **Hilti Store** or from [www.hilti.group](http://www.hilti.group)

#### 3.4 Possible misuse

- ▶ Do not use the power tool to cut bricks, concrete, cellular concrete, natural stone or tiles.
- ▶ Do not use the product to cut pipes containing liquids.
- ▶ Do not saw into unknown materials.

#### 3.5 Li-ion battery status indicator

The charge state of the Li-ion battery and malfunctions of the power tool are indicated by the indicator of the Li-ion battery. Press either of the battery release buttons to check the charge state of the Li-Ion battery.

Status	Meaning
4 LEDs light up.	Charge state: 75 % to 100 %
3 LEDs light up.	Charge state: 50 % to 75 %



Status	Meaning
2 LEDs light up.	Charge state: 25 % to 50 %
1 LED lights up.	Charge state: 10 % to 25 %
1 LED flashes.	Charge state: < 10 %
1 LED flashes, the power tool is not in working order.	The battery has overheated or is completely discharged.
4 LEDs flash, the power tool is not in working order.	The power tool is overloaded or has overheated.

**i** Battery charge state cannot be indicated while the control switch is pressed and for 5 seconds after the control switch has been released. If the LEDs of the charge state indicator flash, follow the instructions in the 'Troubleshooting' section.

### 3.6 Items supplied

Bandsaw, operating instructions.

Other system products approved for use with this product can be found at your local **Hilti Store** or at: [www.hilti.group](http://www.hilti.group)

## 4 Technical data

### 4.1 Bandsaw

	SB 4-A22
<b>Rated voltage</b>	21.6 V
<b>Ambient temperature</b>	1 °F ... 140 °F (-17 °C ... 60 °C)
<b>Weight including battery B22/8.0</b>	9.5 lb (4.3 kg)
<b>No-load speed</b>	548 ft/min (167 m/min)
<b>Max. cutting depth</b>	2.50 in (63.5 mm)
<b>Dimensions, bandsaw blade (Length x width x thickness)</b>	28.875 in x 0.5 in x 0.02 in (733 mm x 12.7 mm x 0.5 mm) or 28.875 in x 0.5 in x 0.01 in (733 mm x 12.4 mm x 0.35 mm)
<b>Operating temperature</b>	1 °F ... 140 °F (-17 °C ... 60 °C)
<b>Storage temperature range (without battery)</b>	-4 °F ... 158 °F (-20 °C ... 70 °C)

### 4.2 Battery

<b>Battery operating voltage</b>	21.6 V
<b>Ambient temperature for operation</b>	1 °F ... 140 °F (-17 °C ... 60 °C)
<b>Storage temperature</b>	-4 °F ... 104 °F (-20 °C ... 40 °C)
<b>Battery charging starting temperature</b>	14 °F ... 113 °F (-10 °C ... 45 °C)



## 5 Operation

---

### 5.1 Charging the battery

1. Before charging the battery, read the operating instructions for the charger.
2. Make sure that the contacts on the battery and the contacts on the charger are clean and dry.
3. Use an approved charger to charge the battery.

### 5.2 Inserting the battery 3

 **WARNING**

**Electrical hazard** Risk of short-circuit.

- ▶ Before inserting the battery, check that the battery contacts and the contacts on the saw are free of foreign matter.
- 

 **WARNING**

**Risk of injury** Falling battery hazard.

- ▶ A falling battery could injure you or others. Check that the battery is securely engaged in the bandsaw.
- ▶ From the front, push the battery back into the product until it engages with an audible double click.

### 5.3 Removing the battery 4

1. Press and hold down the two release buttons.
2. Pull the battery forward and out of the product.

### 5.4 Safe operation 4

 **CAUTION**

**Risk of injury by inadvertent starting!**

- ▶ Before inserting the battery, make sure that the product is switched off.
- ▶ Remove the battery before making any adjustments to the power tool or before changing accessories.
- ▶ Press and hold down the two release buttons.
- ▶ Pull the battery forward and out of the product.

### 5.5 Inserting/changing the bandsaw blade 5

 **WARNING**

**Risk of damage** An unsuitable or incorrectly fitted bandsaw blade can damage the saw.

- ▶ Use only bandsaw blades that are suitable for this saw.
- 

 **WARNING**

**Risk of injury** by contact with the bandsaw blade.

- ▶ Wear protective gloves when fitting the bandsaw blade.
- 

1. Slacken the 2 screws securing the blade cover and remove the cover.
2. Turn the side handle counterclockwise to unscrew it from the casing of the bandsaw.
3. Swivel the lever in the direction of rotation through its full 180 ° of travel.



The side handle has to be removed to allow the lever to pivot.

---

4. Slip the bandsaw blade into the blade guides, one after the other. The back of the blade must touch the bearings in the bottom of the blade guides.
5. Slip the bandsaw blade over both rollers, one after the other.
6. Swivel the lever in the direction of rotation through its full 180 ° of travel.
7. Check that the bandsaw blade tool is correctly guided over both rollers.



8. Reinstall the blade cover.
  - ▶ Make sure that the cover is correctly seated.
9. Engage the threads of the side handle and turn it clockwise to screw it into the casing of the bandsaw.
10. Check that the bandsaw blade is correctly seated by repeatedly switching the bandsaw on and then off again.

## 5.6 Fitting the side handle

### CAUTION

**Risk of injury** Loss of control over the bandsaw.

- ▶ Use the product only with the side handle fitted. Screw the side handle into the corresponding tapped hole in the casing.
- 
- ▶ Fit the side handle.

## 5.7 Replacing the rubber ring

1. Remove the battery. → page 8
2. Slacken the 2 screws securing the blade cover and remove the cover.
3. Turn the side handle counterclockwise to unscrew it from the casing of the bandsaw.
4. Pivot the lever in the direction of rotation through its full 180° of travel.

The side handle has to be removed to allow the lever to pivot.

5. Remove the bandsaw blade.
6. Check that the guide grooves are free of foreign matter and clean them if necessary.
7. Remove the rubber ring.
8. Pull the new rubber ring over the roller for the bandsaw blade.
9. Push the rubber ring fully into the guide recess.
  - ▶ The rubber ring lies correctly in the guide recess.
  - ▶ The rubber ring does not lie correctly in the guide recess.
    - ▶ Realign the rubber ring.
10. Slip the bandsaw blade into the blade guides, one after the other. The back of the blade must touch the bearings in the bottom of the blade guides.
11. Slip the bandsaw blade over both rollers, one after the other.
12. Pivot the lever in the direction of rotation through its full 180° of travel.
13. Check that the bandsaw blade tool is correctly guided over both rollers.
14. Refit the blade cover.
  - ▶ Make sure that the cover is correctly seated.
15. Screw the side handle into the casing of the bandsaw, turning the side handle clockwise.
16. Check that the bandsaw blade is correctly seated by repeatedly switching the bandsaw on and then off again.

## 5.8 Switching on

1. Press the safety lock.
2. Press the control switch.

For safety reasons, the control switch cannot be locked and has to be held down while the tool is in operation.

## 5.9 Switching off

### WARNING

**Risk of injury** by saw run-on.

- ▶ Do not lift the product away from the workpiece until it has stopped completely.
  - ▶ Wait until the product stops completely before you lay it down.
- 
- ▶ Release the control switch.



## 5.10 Alignment, workpiece

- ▶ Bring the workpiece and the bandsaw into alignment.



Incorrect alignment increases the risk of kickback.

## 6 Care, maintenance, transport and storage

### 6.1 Care and maintenance



#### WARNING

#### Risk of injury with battery inserted !

- ▶ Always remove the battery before carrying out care and maintenance tasks!

#### Care and maintenance of the tool

- Carefully remove stubborn dirt.
- Clean the air vents carefully with a dry brush.
- Use only a slightly damp cloth to clean the casing. Do not use cleaning agents containing silicone as these can attack the plastic parts.

#### Care of the Li-ion batteries

- Keep the battery free from oil and grease.
- Use only a slightly damp cloth to clean the casing. Do not use cleaning agents containing silicone as these may attack the plastic parts.
- Avoid ingress of moisture.

#### Maintenance

- Check all visible parts and controls for signs of damage at regular intervals and make sure that they all function correctly.
- Do not operate the product if signs of damage are found or if parts malfunction. Have it repaired immediately by **Hilti Service**.
- After cleaning and maintenance, fit all guards or protective devices and check that they function correctly.



To help ensure safe and reliable operation, use only genuine Hilti spare parts and consumables. Spare parts, consumables and accessories approved by Hilti for use with the product can be found at your local **Hilti Store** or online at: [www.hilti.group](http://www.hilti.group).

### 6.2 Transport and storage of cordless tools

#### Transport



#### CAUTION

#### Accidental starting during transport !

- ▶ Always transport your products with the batteries removed!
- ▶ Remove the battery.
- ▶ Never transport batteries in bulk form (loose, unprotected).
- ▶ Check the tool and batteries for damage before use after long periods of transport.

#### Storage



#### CAUTION

#### Accidental damage caused by defective or leaking batteries !

- ▶ Always store your products with the batteries removed!
- ▶ Store the tool and batteries in a place that is as cool and dry as possible.
- ▶ Never store batteries in direct sunlight, on heating units or behind a window pane.
- ▶ Store the tool and batteries in a place where they cannot be accessed by children or unauthorized persons.
- ▶ Check the tool and batteries for damage before use after long periods of storage.





## 7 Troubleshooting

If the trouble you are experiencing is not listed in this table or you are unable to remedy the problem by yourself, please contact **Hilti** Service.

### 7.1 Bandsaw is not in working order

Malfunction	Possible cause	Action to be taken
No response from the LEDs.	The battery is not correctly inserted.	▶ Push the battery in until it engages with a double click.
	The battery is empty.	▶ Charge the battery.
	Safety lock not pressed.	▶ Press the safety lock.
1 LED flashes.	The battery is discharged.	▶ Change the battery and charge the empty battery.
	The battery is too hot or too cold.	▶ Bring the battery to the recommended working temperature.
4 LEDs flash.	Bandsaw momentarily overloaded.	▶ Release the control switch and then press it again.
	Bandsaw too hot.	▶ Allow the bandsaw to cool down.
	Tool is blocked	▶ Check whether the saw blade is fitted correctly and/or damaged.

### 7.2 Bandsaw is in working order

Trouble or fault	Possible cause	Action to be taken
The tool does not develop full power.	The control switch is not fully pressed.	▶ Press the control switch fully.
	The battery is discharged.	▶ Change the battery and charge the empty battery.

## 8 Disposal

Most of the materials from which **Hilti** tools and appliances are manufactured can be recycled. The materials must be correctly separated before they can be recycled. In many countries, your old tools, machines or appliances can be returned to **Hilti** for recycling. Ask **Hilti** Service or your Hilti representative for further information.

### Battery disposal

Improper disposal of batteries can result in health hazards from leaking gases or fluids.

- ▶ DO NOT send batteries through the mail!
- ▶ Cover the terminals with a non-conductive material (such as electrical tape) to prevent short circuiting.
- ▶ Dispose of your battery out of the reach of children.
- ▶ Dispose of the battery at your **Hilti Store**, or consult your local governmental garbage disposal or public health and safety resources for disposal instructions.



- ▶ Do not dispose of power tools, electronic equipment or batteries as household waste!

## 9 Manufacturer's warranty

- ▶ Please contact your local **Hilti** representative if you have questions about the warranty conditions.



# Mode d'emploi original

## 1 Indications relatives à la documentation

### 1.1 À propos de cette documentation

- Lire intégralement la présente documentation avant la mise en service. C'est la condition préalablement requise pour assurer la sécurité du travail et un maniement sans perturbations.
- Bien respecter les consignes de sécurité et les avertissements de la présente documentation ainsi que celles figurant sur le produit.
- Toujours conserver le mode d'emploi à proximité du produit et uniquement le transmettre à des tiers avec ce mode d'emploi.

### 1.2 Explication des symboles

#### 1.2.1 Avertissements

Les avertissements attirent l'attention sur des dangers liés à l'utilisation du produit. Les termes de signalisation suivants sont utilisés :



**DANGER**

**DANGER !**

- ▶ Pour un danger imminent qui peut entraîner de graves blessures corporelles ou la mort.



**AVERTISSEMENT**

**AVERTISSEMENT !**

- ▶ Pour un danger potentiel qui peut entraîner de graves blessures corporelles ou la mort.



**ATTENTION**

**ATTENTION !**

- ▶ Pour attirer l'attention sur une situation pouvant présenter des dangers entraînant des blessures corporelles légères ou des dégâts matériels.

#### 1.2.2 Symboles dans la documentation

Les symboles suivants sont utilisés dans la présente documentation :

	Lire le mode d'emploi avant d'utiliser l'appareil
	Pour des conseils d'utilisation et autres informations utiles
	Maniement des matériaux recyclables
	Ne pas jeter les appareils électriques et les accus dans les ordures ménagères

#### 1.2.3 Symboles dans les illustrations

Les symboles suivants sont utilisés dans les illustrations :

	Ces chiffres renvoient à l'illustration correspondante au début du présent mode d'emploi
	La numérotation détermine la séquence des étapes de travail dans l'image et peut se différencier de celles des étapes de travail dans le texte
	Les numéros de position sont utilisés dans l'illustration <b>Vue d'ensemble</b> et renvoient aux numéros des légendes dans la section <b>Vue d'ensemble du produit</b>
	Ce signe doit inviter à manier le produit en faisant particulièrement attention.



### 1.3 Symboles spécifiques au produit

#### 1.3.1 Symboles

Les symboles suivants peuvent être utilisés sur le produit :

	Courant continu
	L'appareil prend en charge la technologie NFC qui est compatible avec les plates-formes iOS et Android.
Li-Ion	Accu lithium-ions
	Série de type d'accum Li-Ion <b>Hilti</b> utilisée. Observer les instructions au chapitre <b>Utilisation conforme à l'usage prévu</b> .
	Ne jamais utiliser l'accum comme outil de percussion.
	Ne pas laisser tomber l'accum. Ne pas utiliser d'accum ayant subi un choc ou d'autres dommages.

### 1.4 Informations produit

Les produits sont destinés aux professionnels et ne doivent être utilisés, entretenus et réparés que par un personnel autorisé et formé. Ce personnel doit être spécialement instruit quant aux dangers inhérents à l'utilisation de l'appareil. Le produit et ses accessoires peuvent s'avérer dangereux s'ils sont utilisés de manière incorrecte par un personnel non qualifié ou de manière non conforme à l'usage prévu.

La désignation du modèle et le numéro de série figurent sur sa plaque signalétique.

- ▶ Inscrivez le numéro de série dans le tableau suivant. Les informations produit vous seront demandées lorsque vous contactez nos revendeurs ou services après-vente.

#### Caractéristiques produit

Scie à ruban	SB 4-A22
Génération :	01
N° de série :	

### 1.5 Déclaration de conformité

Nous déclarons sous notre seule et unique responsabilité que le produit décrit ici est conforme aux directives et normes en vigueur. Une copie de l'attestation délivrée par l'organisme de certification se trouve en fin de la présente documentation.

Pour obtenir les documentations techniques, s'adresser à :

Hilti Entwicklungsgesellschaft mbH | Zulassung Geräte | Hiltistraße 6 | 86916 Kaufering, DE

## 2 Sécurité

### 2.1 Indications générales de sécurité pour les appareils électriques

**⚠ AVERTISSEMENT Lire toutes les consignes de sécurité et instructions, illustrations et caractéristiques techniques, qui accompagnent cet outil électroportatif.** Tout manquement à l'observation des instructions suivantes risque de provoquer une électrocution, un incendie et/ou de graves blessures.

**Les consignes de sécurité et instructions doivent être intégralement conservées pour les utilisations futures.**

La notion d'« outil électroportatif » mentionnée dans les consignes de sécurité se rapporte à des outils électriques raccordés au secteur (avec câble d'alimentation) et à des outils électriques sur accum (sans câble d'alimentation).

#### Sécurité sur le lieu de travail

- ▶ **Conserv**er la zone de travail propre et bien éclairée. Un lieu de travail en désordre ou mal éclairé augmente le risque d'accidents.
- ▶ **Ne pas faire fonctionner les outils électriques en atmosphère explosive et où se trouvent des liquides, des gaz ou poussières inflammables.** Les outils électriques produisent des étincelles qui peuvent enflammer les poussières ou les fumées.



- ▶ **Maintenir les enfants et les personnes présentes à l'écart pendant l'utilisation de l'outil électroportatif.** En cas d'inattention il y a risque de perdre le contrôle de l'appareil.

#### Sécurité relative au système électrique

- ▶ **La fiche de secteur de l'outil électroportatif doit être adaptée à la prise de courant. Ne jamais modifier la fiche de quelque façon que ce soit. Ne pas utiliser d'adaptateurs avec des outils électriques à branchement de terre.** Des fiches non modifiées et des prises de courant adaptées réduiront le risque de choc électrique.
- ▶ **Éviter le contact physique avec des surfaces mises à la terre tels que tuyaux, radiateurs, cuisinières et réfrigérateurs.** Il y a un risque élevé de choc électrique au cas où votre corps serait relié à la terre.
- ▶ **Ne pas exposer les outils électroportatifs à la pluie ou à l'humidité.** La pénétration d'eau à l'intérieur d'un outil électroportatif augmentera le risque d'un choc électrique.
- ▶ **Ne jamais utiliser le câble de raccordement à d'autres fins que celles prévues, telles que pour porter, accrocher ou débrancher l'outil électroportatif de la prise de courant. Maintenir le câble de raccordement à l'écart de la chaleur, des parties grasses, des bords tranchants ou des parties en mouvement.** Des câbles de raccordement endommagés ou emmêlés augmentent le risque de choc électrique.
- ▶ **Si l'outil électroportatif est utilisé à l'extérieur, utiliser uniquement des câbles de rallonge homologués pour les applications extérieures.** L'utilisation d'un câble de rallonge homologué pour les applications extérieures réduit le risque d'un choc électrique.
- ▶ **Si l'utilisation de l'outil électrique dans un environnement humide ne peut pas être évitée, utiliser un interrupteur de protection contre les courants de court-circuit.** L'utilisation d'un tel interrupteur de protection réduit le risque d'une décharge électrique.

#### Sécurité des personnes

- ▶ **Rester vigilant, surveiller ce que l'on fait. Faire preuve de bon sens en utilisant l'outil électroportatif. Ne pas utiliser l'outil électroportatif en étant fatigué ou sous l'emprise de l'alcool, de drogues ou de médicaments.** Un moment d'inattention lors de l'utilisation de l'outil électroportatif peut entraîner des blessures graves.
- ▶ **Utiliser un équipement de protection personnel et toujours porter une protection pour les yeux.** Les équipements de protection personnels tels que masque antipoussière, chaussures de sécurité antidérapantes, casque de protection ou protection acoustique suivant l'utilisation de l'outil électroportatif, réduiront le risque de blessures des personnes.
- ▶ **Éviter une mise en service par mégarde. S'assurer que l'outil électroportatif est arrêté avant de le brancher à la source de courant et/ou à l'accu, de le prendre ou de le porter.** Le fait de porter l'outil électroportatif avec le doigt sur l'interrupteur ou de brancher l'appareil sur la source de courant lorsque l'interrupteur est en position de fonctionnement peut entraîner des accidents.
- ▶ **Retirer tout outil de réglage ou toute clé avant de mettre l'outil électroportatif en fonctionnement.** Une clé ou un outil se trouvant sur une partie en rotation peut causer des blessures.
- ▶ **Adopter une bonne posture. Veiller à toujours garder une position stable et équilibrée.** Cela permet un meilleur contrôle de l'outil électroportatif dans des situations inattendues.
- ▶ **S'habiller de manière adaptée. Ne pas porter de vêtements amples ni de bijoux. Garder les cheveux, les vêtements et les gants à distance des parties en mouvement.** Des vêtements amples, des bijoux ou des cheveux longs peuvent être happés par des parties en mouvement.
- ▶ **Si des dispositifs servant à aspirer ou à recueillir les poussières doivent être utilisés, s'assurer qu'ils sont effectivement raccordés et correctement utilisés.** L'utilisation d'un dispositif d'aspiration de la poussière peut réduire les risques dus aux poussières.
- ▶ **Ne pas sous-estimer les mesures de sécurité à prendre et ne pas ignorer sciemment les règles de sécurité applicables aux outils électriques, même si l'on est utilisateur chevronné après de fréquentes utilisations de l'outil électroportatif.** Un manque d'attention peut conduire à de graves blessures en quelques fractions de seconde.

#### Utilisation et maniement de l'outil électroportatif

- ▶ **Ne pas forcer l'appareil. Utiliser l'outil électroportatif adapté au travail à effectuer.** Un outil électroportatif approprié réalisera mieux le travail et de manière plus sûre au régime pour lequel il a été conçu.
- ▶ **Ne pas utiliser d'outil électroportatif dont l'interrupteur est défectueux.** Tout outil électroportatif qui ne peut plus être mis en ou hors fonctionnement est dangereux et doit être réparé.
- ▶ **Débrancher la fiche de la prise de courant et/ou l'accu amovible avant d'effectuer des réglages sur l'appareil, de changer les accessoires, ou de ranger l'appareil.** Cette mesure de précaution empêche une mise en fonctionnement par mégarde de l'outil électroportatif.
- ▶ **Conserver les outils électroportatifs non utilisés hors de portée des enfants. Ne permettre l'utilisation de l'appareil à aucune personne qui ne soit pas familiarisée avec celui-ci ou qui n'a**



**pas lu ces instructions.** Les outils électroportatifs sont dangereux lorsqu'ils sont entre les mains de personnes non initiées.

- ▶ **Prendre soin des outils électroportatifs et des accessoires. Vérifier que les parties en mouvement fonctionnent correctement et qu'elles ne sont pas coincées, et contrôler si des parties sont cassées ou endommagées de sorte que le bon fonctionnement de l'outil électroportatif s'en trouve entravé. Faire réparer les parties endommagées avant d'utiliser l'appareil.** De nombreux accidents sont dus à des outils électroportatifs mal entretenus.
- ▶ **Garder les outils de coupe affûtés et propres.** Des outils destinés à couper correctement entretenus avec des arêtes de coupe tranchantes sont moins susceptibles de bloquer et sont plus faciles à contrôler.
- ▶ **L'outil électroportatif, les accessoires, les outils amovibles, etc. doivent être utilisés conformément à ces instructions. Tenir également compte des conditions de travail et du travail à réaliser.** L'utilisation des outils électroportatifs à d'autres fins que celles prévues peut entraîner des situations dangereuses.
- ▶ **Veiller à ce que les poignées et surfaces de préhension soient toujours être sèches, propres et exemptes de traces de graisse ou d'huile.** Avec des poignées et surfaces de préhension glissantes, la sécurité et le contrôle de l'outil électroportatif ne peuvent être assurés dans des situations inopinées.

#### Utilisation et maniement de l'outil sur accu

- ▶ **Ne charger les accus que dans des chargeurs recommandés par le fabricant.** Si un chargeur approprié à un type spécifique d'accus est utilisé avec des accus non recommandés pour celui-ci, il y a risque d'incendie.
- ▶ **Dans les outils électroportatifs, utiliser uniquement les accus spécialement prévus pour ceux-ci.** L'utilisation de tout autre accu peut entraîner des blessures et des risques d'incendie.
- ▶ **Tenir l'accu non utilisé à l'écart de tous objets métalliques tels qu'agrafes, pièces de monnaie, clés, clous, vis ou autres, étant donné qu'un pontage peut provoquer un court-circuit.** Un court-circuit entre les contacts d'accu peut provoquer des brûlures ou un incendie.
- ▶ **En cas d'utilisation abusive, du liquide peut sortir de l'accu. Éviter tout contact avec ce liquide. En cas de contact par mégarde, rincer soigneusement avec de l'eau. Au cas où le liquide rentrerait dans les yeux, consulter en plus un médecin.** Le liquide qui sort de l'accu peut entraîner des irritations de la peau ou causer des brûlures.
- ▶ **Ne pas utiliser d'accu endommagé ou modifié.** Des accus endommagés ou modifiés peuvent avoir un comportement imprévisible et provoquer un incendie, une explosion ou engendrer un risque de blessures.
- ▶ **Ne jamais exposer l'accu au feu ou à des températures trop élevées.** Le feu ou des températures supérieures à 130 °C (265 °F) peuvent provoquer une explosion.
- ▶ **Suivre toutes les instructions de charge et ne jamais charger l'accu ou l'outil sur accu hors de la plage de températures spécifiée dans le manuel d'utilisation.** Une charge inappropriée ou hors de la plage de températures spécifiée risque d'endommager l'accu et accroître le risque d'incendie.

#### Service

- ▶ **L'outil électroportatif doit uniquement être réparé par un personnel qualifié et seulement avec des pièces de rechange d'origine.** Ceci permet d'assurer la sécurité de l'appareil.
- ▶ **Ne jamais entretenir d'accus endommagés.** Toutes les opérations d'entretien sur des accus doivent exclusivement être réalisées par le fabricant ou un prestataire de service client agréé.

## 2.2 Consignes de sécurité supplémentaires spécifiques aux scies

### Sécurité des personnes

- ▶ Bien garder les mains à distance de la zone de sciage et de la lame de scie. Tenir de l'autre main la poignée supplémentaire ou le carter du moteur. Si la scie est tenue des deux mains, celles-ci ne risquent pas d'être blessées lors du sciage.
- ▶ Utiliser le produit uniquement s'il est en parfait état.
- ▶ Ne jamais entreprendre de manipulation ni de modification sur l'appareil.
- ▶ Éviter de toucher des pièces en rotation – Risque de blessures !
- ▶ Porter aussi des gants de protection pour changer d'outil. Risque de blessures par coupure et de brûlures au contact avec l'outil amovible.
- ▶ Avant le début du travail, prendre connaissance de la classe de risque de la poussière générée lors des travaux. Utiliser un aspirateur avec une classification de sécurité autorisée officiellement et conforme aux dispositions locales concernant les poussières. Les poussières de matériaux telles que des peintures contenant du plomb, certains types de bois, du béton / de la maçonnerie / des pierres naturelles qui contiennent du quartz ainsi que des minéraux et des métaux peuvent être nuisibles à la santé.



- ▶ Veiller à ce que le poste de travail soit bien ventilé et porter, le cas échéant, un masque de protection respiratoire adapté au type de poussières. Le contact ou l'aspiration de poussière peut provoquer des réactions allergiques et/ou des maladies respiratoires de l'utilisateur ou de toute personne se trouvant à proximité. Les matériaux contenant de l'amiante doivent seulement être manipulés par un personnel spécialisé.
- ▶ Resserer les réglages de la profondeur de coupe ainsi que de l'angle de coupe avant le sciage. La lame de scie risque de se coincer et un contrecoup de se produire si les réglages se modifient pendant l'opération de sciage.
- ▶ Ajuster la profondeur de coupe à l'épaisseur de la pièce travaillée. Moins d'une dent complète devrait apparaître sous la pièce.
- ▶ Toujours utiliser une butée ou un guidage droit de bords pour des coupes longitudinales. Ceci améliore la précision de coupe et réduit le danger de voir la lame de scie se coincer.
- ▶ Ne pas passer les mains sous la pièce travaillée. Sous la pièce travaillée, le capot de protection ne peut pas protéger l'utilisateur lors du sciage.
- ▶ Ne jamais tenir la pièce à scier avec la main ou sur la jambe. Fixer la pièce sur un support stable.
- ▶ Bien tenir l'appareil des deux mains aux poignées prévues à cet effet et mettre les bras dans une position permettant d'amortir la force de contrecoup.
- ▶ Tenir les poignées toujours sèches et propres.
- ▶ Toujours se tenir latéralement à la lame de scie, le corps de l'utilisateur ne doit jamais être dans l'alignement de la lame de scie. En cas de contrecoup, la scie risque d'être propulsée vers l'arrière !
- ▶ Si la lame de scie se coince ou que le travail est interrompu, arrêter la scie et la tenir dans le matériau sans bouger jusqu'à ce que la lame de scie s'immobilise. Ne jamais essayer de sortir la scie de la pièce travaillée ou de la tirer vers l'arrière tant que la lame de scie bouge, sans quoi un contrecoup risque de se produire.
- ▶ Si une scie qui s'est bloquée dans une pièce doit être remise en marche, centrer la lame de scie dans la fente et contrôler que les dents de la scie ne soient pas restées accrochées dans la pièce.
- ▶ Procéder avec une extrême prudence en cas de sciage dans des murs existants ou autres zones imprévisibles. Lors du sciage, la lame de scie plongeante risque de se coincer dans des objets cachés et de causer un contrecoup.

#### **Sécurité relative au système électrique**

- ▶ Avant d'entamer le travail, vérifier qu'il n'y a pas de câbles ou gaines électriques, tuyaux de gaz ou d'eau cachés dans la zone d'intervention. Toutes pièces métalliques extérieures de l'appareil sont susceptibles de provoquer une décharge électrique si un câble électrique est endommagé par inadvertance.
- ▶ Tenir l'appareil par les surfaces isolées des poignées lors des travaux pendant lesquels l'outil utilisé risque de toucher des câbles électriques cachés. Le contact avec un câble sous tension risque de mettre les parties métalliques de l'appareil sous tension et de provoquer une décharge électrique.

#### **Utilisation et emploi soigneux de l'outil électroportatif**

- ▶ Toujours utiliser des lames de scie de la bonne taille et dont l'alésage de fixation est de forme appropriée.
- ▶ Ne pas utiliser de lames de scie émoussées ou endommagées. Celles-ci entraîneraient une friction élevée, un coincement de la lame de scie et un contrecoup.
- ▶ Ne jamais utiliser de rondelles ou de vis endommagées ou qui ne conviennent pas pour la lame de scie.
- ▶ Respecter les instructions du fabricant relatives au maniement et au stockage des lames de scie.

### **2.3 Consignes de sécurité pour scies à ruban**

- ▶ **Tenir l'outil électroportatif par les surfaces isolées des poignées lors des travaux pendant lesquels l'outil amovible utilisé risque de toucher des câbles électriques cachés.** Le contact avec un câble sous tension risque aussi de mettre les parties métalliques de l'appareil sous tension et de provoquer une décharge électrique.

### **2.4 Utilisation et emploi soigneux des batteries**

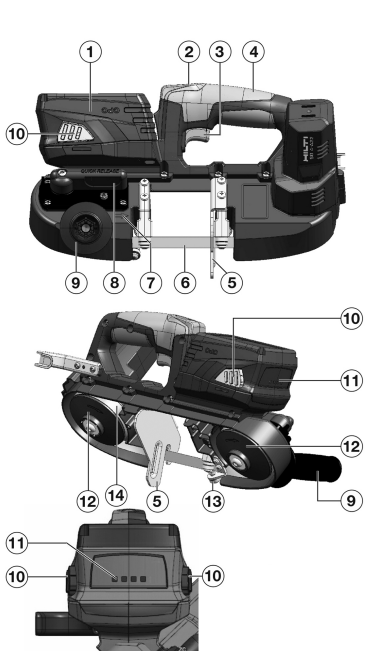
- ▶ Respecter les directives spécifiques relatives au transport, au stockage et à l'utilisation des batteries li-ion.
- ▶ Ne pas exposer les batteries à des températures élevées, ni au rayonnement direct du soleil ou au feu.
- ▶ Les batteries ne doivent pas être démontées, écrasées, chauffées à une température supérieure à 80 °C ou jetées au feu.
- ▶ Ne jamais utiliser ni charger d'accus qui ont subi un choc électrique, qui sont tombés de plus d'un mètre ou qui ont été endommagés d'une manière quelconque. Si tel est le cas, il convient de contacter le **S.A.V Hilti**.



- ▶ Si la batterie est trop chaude pour être touchée, elle peut être défectueuse. Déposer le produit à un endroit non inflammable d'où il peut être surveillé, à une distance suffisante de matériaux inflammables et le laisser refroidir. Si tel est le cas, il convient de contacter le **S.A.V Hilti**.

### 3 Description

#### 3.1 Vue d'ensemble du produit 1



- ① Accu
- ② Sécurité anti-démarrage du variateur électronique de vitesse
- ③ Variateur électronique de vitesse
- ④ Poignée (surface de préhension isolée)
- ⑤ Auxiliaire de guidage
- ⑥ lame de scie à ruban
- ⑦ Flèche indiquant le sens de rotation sur le carter
- ⑧ Levier de réglage de la tension de la lame de scie à ruban
- ⑨ Poignée latérale (surface de préhension isolée)
- ⑩ Bouton de déverrouillage de l'accu
- ⑪ Indicateur de l'état de charge de l'accu
- ⑫ Poulie pour lame de scie à ruban
- ⑬ Guide-lame
- ⑭ Bague d'étanchéité

#### 3.2 Vue d'ensemble du produit 2

- ⑮ Capot de protection de lame de scie
- ⑯ Vis de fixation du capot de protection de lame de scie

#### 3.3 Utilisation conforme à l'usage prévu

Le produit décrit est une scie à ruban sans fil. Elle est conçue pour des travaux de sciage dans des matériaux métalliques et plastiques.

Le produit doit être tenu avec les deux mains.

- Pour ce produit, utiliser exclusivement les accus Li-Ion **Hilti** de la série B 22.
- Pour ces accus, n'utiliser que des chargeurs homologués par **Hilti**. Vous trouverez de plus amples informations dans votre **Hilti Store** ou à l'adresse : [www.hilti.group](http://www.hilti.group)

#### 3.4 Mauvaise utilisation possible

- ▶ Ne pas scier de la brique, du béton, du béton cellulaire, de la pierre naturelle ou du carrelage.
- ▶ Ne pas utiliser le produit pour scier des conduites contenant encore du liquide.
- ▶ Ne pas scier dans des sous-sols de nature inconnue.



### 3.5 Affichage de l'état des accus Li-Ion

L'état de charge de l'accu Li-Ion ainsi que les dysfonctionnements de l'appareil sont signalés par le biais de l'affichage de l'accu Li-Ion. L'état de charge de l'accu Li-Ion peut être visualisé en appuyant légèrement sur l'un des deux boutons de déverrouillage.

État	Signification
4 LED allumées.	État de charge : 75 % à 100 %
3 LED allumées.	État de charge : 50 % à 75 %
2 LED allumées.	État de charge : 25 % à 50 %
1 LED allumée.	État de charge : 10 % à 25 %
1 LED clignote.	État de charge : < 10 %
1 LED clignote, l'appareil n'est pas prêt à fonctionner.	L'accu surchauffe ou est complètement déchargé.
4 LED clignent, l'appareil n'est pas prêt à fonctionner.	Charge excessive ou surchauffe de l'appareil.

**i** Il n'est pas possible d'interroger l'indicateur de l'état de charge lorsque le variateur électronique de vitesse est actionné et jusqu'à 5 secondes après avoir relâché le variateur électronique de vitesse. Si les LED de l'affichage de l'accu clignent, se reporter au chapitre Aide au dépannage.

### 3.6 Éléments livrés

Scie à ruban, mode d'emploi.

D'autres produits système pour votre produit peuvent être trouvés dans votre **Hilti Store** ou à l'adresse : [www.hilti.group](http://www.hilti.group)

## 4 Caractéristiques techniques

### 4.1 Scie à ruban

	SB 4-A22
Tension de référence	21,6 V
Température ambiante	1 °F ... 140 °F (-17 °C ... 60 °C)
Poids (accu inclus) B22/8.0	9,5 lb (4,3 kg)
Vitesse de rotation à vide	548 ft/min (167 m/min)
Profondeur de coupe max.	2,50 in (63,5 mm)
Dimensions de la lame de scie à ruban (Longueur x Largeur x Épaisseur)	28,875 in x 0,5 in x 0,02 in (733 mm x 12,7 mm x 0,5 mm) ou 28,875 in x 0,5 in x 0,01 in (733 mm x 12,4 mm x 0,35 mm)
Température de service	1 °F ... 140 °F (-17 °C ... 60 °C)
Température de stockage (sans accu)	-4 °F ... 158 °F (-20 °C ... 70 °C)

### 4.2 Batterie

Tension nominale de l'accu	21,6 V
Température de service en cours de service	1 °F ... 140 °F (-17 °C ... 60 °C)





Température de stockage	-4 °F ... 104 °F (-20 °C ... 40 °C)
Température de l'accu au début de la charge	14 °F ... 113 °F (-10 °C ... 45 °C)

## 5 Utilisation

### 5.1 Recharge de l'accu

1. Avant de commencer la charge, lire le mode d'emploi du chargeur.
2. Veiller à ce que les contacts de l'accu et du chargeur sont propres et secs.
3. Charger l'accu à l'aide d'un chargeur homologué.

### 5.2 Introduction de l'accu

#### AVERTISSEMENT

**Danger électrique** Danger de court-circuit.

- ▶ Avant d'insérer l'accu, s'assurer que les contacts de l'accu et les contacts de la scie sont exempts de tout corps étranger.

#### AVERTISSEMENT

**Risque de blessures** Danger engendré par la chute de l'accu.

- ▶ Une chute d'accu pourrait vous mettre en danger ou mettre en danger d'autres personnes. Vérifier que l'accu est bien en place dans la scie à ruban.
- ▶ Introduire l'accu dans le produit vers l'arrière, jusqu'à ce qu'il s'encliquette en butée avec un « double clic » audible.

### 5.3 Retrait de l'accu

1. Appuyer sur les deux boutons de déverrouillage et les maintenir enfoncés.
2. Extraire l'accu du produit vers l'avant.

### 5.4 Comportement conforme à la sécurité

#### ATTENTION

**Risque de blessures du fait d'une mise en marche inopinée !**

- ▶ Avant d'insérer l'accu, s'assurer que le produit correspondant est bien sur arrêt.
- ▶ Retirer le bloc-accu, avant d'effectuer des réglages sur l'appareil ou de changer les accessoires.
- ▶ Appuyer sur les deux boutons de déverrouillage et les maintenir enfoncés.
- ▶ Extraire l'accu du produit vers l'avant.

### 5.5 Mise en place/Remplacement de la lame de scie à ruban

#### AVERTISSEMENT

**Risque d'endommagement** Des lames de scie à ruban inappropriées ou mal mises en place risquent d'endommager la scie.

- ▶ Utiliser uniquement des lames de scie à ruban qui conviennent pour cette scie.

#### AVERTISSEMENT

**Risque de blessures** en touchant la lame de scie à ruban.

- ▶ Pour le montage de la lame de scie à ruban, porter des gants de protection.

1. Desserrer les 2 vis du capot de lame de scie et enlever le capot.
2. Visser la poignée latérale dans le sens antihoraire pour l'enlever du carter de la scie à ruban.



3. Faire pivoter le levier de 180° dans le sens de rotation jusqu'en butée.



La poignée latérale doit être démontée pour pouvoir actionner le levier.

4. Introduire successivement la lame de scie à ruban dans les guides de lame de scie. La face inférieure de la lame de scie doit toucher le palier dans la partie inférieure des guides de lame de scie.
5. Mettre progressivement la lame de scie à ruban autour des deux poulies.
6. Faire pivoter le levier de 180° dans le sens de rotation jusqu'en butée.
7. Vérifier que la lame de scie à ruban est bien guidée autour des deux poulies.
8. Remettre le capot de lame de scie en place.
  - ▶ Ce faisant, veiller à ce que le capot soit bien en place.
9. Visser la poignée latérale dans le sens horaire dans le carter de la scie à ruban.
10. Vérifier que la lame de scie à ruban est bien en place, mettre à cet effet la scie à ruban brièvement en marche puis l'arrêter plusieurs fois.

## 5.6 Montage de la poignée latérale 6



### ATTENTION

**Risque de blessures** Perte de contrôle de la scie à ruban.

- ▶ Utiliser le produit uniquement en le tenant par la poignée latérale. Visser la poignée latérale dans l'orifice fileté correspondant dans le carter.
- ▶ Monter la poignée latérale.

## 5.7 Remplacement de la bague d'étanchéité 7

1. Retirer l'accu. → Page 19
2. Desserrer les 2 vis du capot de lame de scie et enlever le capot.
3. Visser la poignée latérale dans le sens antihoraire pour l'enlever du carter de la scie à ruban.
4. Faire pivoter le levier de 180° dans le sens de rotation jusqu'en butée.



La poignée latérale doit être démontée pour pouvoir actionner le levier.

5. Enlever la lame de scie à ruban.
6. Vérifier que les rainures de guidage ne sont pas encrassées et, le cas échéant, les nettoyer.
7. Enlever la bague d'étanchéité.
8. Tendre la nouvelle bague d'étanchéité sur la poulie de la lame de scie à ruban.
9. Introduire entièrement la bague d'étanchéité dans les rainures de guidage.
  - ▶ La bague d'étanchéité est jointive avec les rainures de guidage.
  - ▶ La bague d'étanchéité n'est pas jointive avec les rainures de guidage.
    - ▶ Redresser la bague d'étanchéité.
10. Introduire successivement la lame de scie à ruban dans les guides de lame de scie. La face inférieure de la lame de scie doit toucher le palier dans la partie inférieure des guides de lame de scie.
11. Mettre progressivement la lame de scie à ruban autour des deux poulies.
12. Faire pivoter le levier de 180° dans le sens de rotation jusqu'en butée.
13. Vérifier que la lame de scie à ruban est bien guidée autour des deux poulies.
14. Remettre le capot de lame de scie en place.
  - ▶ Ce faisant, veiller à ce que le capot soit bien en place.
15. Visser la poignée latérale dans le sens horaire dans le carter de la scie à ruban.
16. Vérifier que la lame de scie à ruban est bien en place, mettre à cet effet la scie à ruban brièvement en marche et à l'arrêt plusieurs fois.

## 5.8 Mise en marche

1. Actionner la sécurité anti-démarrage.
2. Appuyer sur le variateur électronique de vitesse.



Pour des raisons de sécurité, le variateur électronique de vitesse ne peut pas être bloqué et doit être maintenu enfoncé en continu pendant le fonctionnement.



## 5.9 Arrêt

### AVERTISSEMENT

**Risque de blessures** car la scie continue de tourner.

- ▶ Relever le produit de la pièce travaillée seulement une fois qu'il est complètement arrêté.
- ▶ Attendre jusqu'à ce que le produit soit complètement arrêté avant de le déposer.

- ▶ Relâcher le variateur électronique de vitesse.

## 5.10 Orientation de la pièce travaillée

- ▶ Orienter la pièce travaillée et la scie à ruban l'une vers l'autre.



Une mauvaise orientation augmente le risque de contrecoup.

## 6 Nettoyage, entretien, transport et entreposage

### 6.1 Nettoyage et entretien

#### AVERTISSEMENT

**Risque de blessures lorsque l'accu est inséré !**

- ▶ Toujours retirer l'accu avant tous travaux de nettoyage et d'entretien !

#### Entretien de l'appareil

- Éliminer prudemment les saletés récalcitrantes.
- Nettoyer les ouïes d'aération avec précaution au moyen d'une brosse sèche.
- Nettoyer le boîtier uniquement avec un chiffon légèrement humidifié. Ne pas utiliser de nettoyeurs à base de silicone, ceci pourrait attaquer les pièces en plastique.

#### Entretien des accus Li-ion

- Veiller à ce que l'accu soit toujours propre et exempt de traces de graisse et d'huile.
- Nettoyer le boîtier uniquement avec un chiffon légèrement humidifié. Ne pas utiliser de nettoyeurs à base de silicone, ceci pourrait attaquer les pièces en plastique.
- Éviter toute pénétration d'humidité.

#### Entretien

- Vérifier régulièrement qu'aucune pièce visible n'est endommagée et que les organes de commande sont parfaitement opérationnels.
- En cas d'endommagements et/ou de dysfonctionnements, ne pas utiliser le produit. Le faire immédiatement réparer par le S.A.V. **Hilti**.
- Après des travaux de nettoyage et d'entretien, vérifier si tous les équipements de protection sont bien en place et fonctionnent parfaitement.



Pour une utilisation en toute sécurité, utiliser uniquement des pièces de rechange et consommables d'origine. Vous trouverez les pièces de rechange, consommables et accessoires autorisés convenant pour votre produit dans le centre **Hilti Store** ou sous : [www.hilti.group](http://www.hilti.group).

### 6.2 Transport et stockage des appareils sur accu

#### Transport

#### ATTENTION

**Mise en marche inopinée lors du transport !**

- ▶ Toujours retirer les accus avant de transporter les produits !
- ▶ Retirer les accus.
- ▶ Ne jamais transporter les accus en vrac.
- ▶ Avant toute utilisation consécutive à un transport prolongé de l'appareil et des accus, toujours vérifier qu'ils ne sont pas endommagés.



## Stockage

### ATTENTION

#### Endommagement involontaire du fait d'accus défectueux ou de chute d'accu !

- ▶ Toujours retirer les accus avant de stocker les produits !
- 
- ▶ Stocker l'appareil et les accus si possible au frais et au sec.
  - ▶ Ne jamais stocker les accus exposés au soleil, sur des installations de chauffage ou derrière des vitres.
  - ▶ Stocker l'appareil et les accus hors de portée des enfants et des personnes non autorisées.
  - ▶ Avant toute utilisation consécutive à un stockage prolongé de l'appareil et des accus, toujours vérifier qu'ils ne sont pas endommagés.

## 7 Aide au dépannage

En cas de défaillances non énumérées dans ce tableau ou auxquelles il n'est pas possible de remédier sans aide, contacter le S.A.V. Hilti.

### 7.1 La scie à ruban n'est pas opérationnelle

Défaillance	Causes possibles	Solution
Les LED n'indiquent rien.	L'accu n'est pas complètement encliqueté.	▶ Encliqueter l'accu d'un « double-clic ».
	L'accu est vide.	▶ Retirer l'accu.
	Sécurité anti-démarrage non actionnée.	▶ Actionner la sécurité anti-démarrage.
1 LED clignote.	Décharger l'accu.	▶ Remplacer l'accu et charger l'accu vide.
	Accu trop chaud ou trop froid.	▶ Amener l'accu à la température de service recommandée.
4 LED clignent.	Scie à ruban momentanément surchargée.	▶ Relâcher le variateur électronique de vitesse et l'actionner à nouveau.
	Scie à ruban trop chaude.	▶ Laisser la scie à ruban refroidir.
	Appareil bloqué	▶ Vérifier que la lame de scie est correctement montée et/ou n'est pas endommagée.

### 7.2 La scie à ruban est opérationnelle

Défaillance	Causes possibles	Solution
L'appareil n'atteint pas la pleine puissance.	Le variateur électronique de vitesse n'est pas complètement enfoncé.	▶ Enfoncer complètement le variateur électronique de vitesse.
	Décharger l'accu.	▶ Remplacer l'accu et charger l'accu vide.

## 8 Recyclage

Les appareils Hilti sont fabriqués pour une grande partie en matériaux recyclables. Le recyclage présuppose un tri adéquat des matériaux. Hilti reprend les appareils usagés dans de nombreux pays en vue de leur recyclage. Consulter le service clients Hilti ou un conseiller commercial.

### Élimination des accus

Une élimination non conforme des accus peut produire des émanations de gaz et de liquides nocives pour la santé.

- ▶ Ne pas envoyer ni expédier d'accus endommagés !
- ▶ Recouvrir les raccordements avec un matériau non conducteur pour éviter tout court-circuit.
- ▶ Éliminer les accus en veillant à ce qu'ils soient hors de la portée des enfants.
- ▶ Éliminer l'accu en le déposant auprès du Hilti Store local ou s'adresser à l'entreprise de collecte des déchets compétente.





- ▶ Ne pas jeter les appareils électriques, électroniques et accus dans les ordures ménagères !

## 9 Garantía constructor

- ▶ En cas de questions sur les conditions de garantie, veuillez vous adresser à votre partenaire **Hilti** local.

# Manual de instrucciones original

## 1 Información sobre la documentación

### 1.1 Acerca de esta documentación

- Lea detenidamente esta documentación antes de la puesta en servicio. Ello es imprescindible para un trabajo seguro y un manejo sin problemas.
- Respete las indicaciones de seguridad y las advertencias presentes en esta documentación y en el producto.
- Conserve este manual de instrucciones siempre junto con el producto y entregue el producto a otras personas siempre acompañado del manual.

### 1.2 Explicación de símbolos

#### 1.2.1 Avisos

Las advertencias de seguridad advierten de peligros derivados del manejo del producto. Se utilizan las siguientes palabras de peligro:

#### PELIGRO

##### PELIGRO !

- ▶ Término utilizado para un peligro inminente que puede ocasionar lesiones graves o incluso la muerte.

#### ADVERTENCIA

##### ADVERTENCIA !

- ▶ Término utilizado para un posible peligro que puede ocasionar lesiones graves o incluso la muerte.

#### PRECAUCIÓN

##### PRECAUCIÓN !

- ▶ Término utilizado para una posible situación peligrosa que puede ocasionar lesiones leves o daños materiales.

#### 1.2.2 Símbolos en la documentación

En esta documentación se utilizan los siguientes símbolos:



Leer el manual de instrucciones antes del uso



Indicaciones de uso y demás información de interés



Manejo con materiales reutilizables



No tirar las herramientas eléctricas y las baterías junto con los desperdicios domésticos

#### 1.2.3 Símbolos en las figuras

En las figuras se utilizan los siguientes símbolos:

**2**

Estos números hacen referencia a la figura correspondiente incluida al principio de este manual



3	La numeración describe el orden de los pasos de trabajo en la imagen y puede ser diferente de los pasos descritos en el texto
11	Los números de posición se utilizan en la figura <b>Vista general</b> y los números de la leyenda están explicados en el apartado <b>Vista general del producto</b>
	Preste especial atención a este símbolo cuando utilice el producto.

### 1.3 Símbolos dependientes del producto

#### 1.3.1 Símbolos

En el producto se pueden utilizar los siguientes símbolos:

	Corriente continua
	La herramienta admite la tecnología NFC, compatible con plataformas iOS y Android.
Li-Ion	Batería de Ion-Litio
	Serie utilizada de baterías de Ion-Litio <b>Hilti</b> . Consulte las indicaciones recogidas en el capítulo <b>Uso conforme a las prescripciones</b> .
	Nunca utilice la batería como herramienta de percusión.
	No deje que la batería se caiga. No utilice baterías que hayan recibido algún golpe ni que estén dañadas de alguna otra forma.

### 1.4 Información del producto

Los productos han sido diseñados para usuarios profesionales y solo personal autorizado y debidamente formado puede utilizarlos y llevar a cabo su mantenimiento y conservación. Este personal debe estar especialmente instruido en lo referente a los riesgos de uso. La utilización del producto y sus dispositivos auxiliares puede conllevar riesgos para el usuario en caso de manejarse de forma inadecuada por personal no cualificado o utilizarse para usos diferentes a los que están destinados.

La denominación del modelo y el número de serie están indicados en la placa de identificación.

- ▶ Escriba el número de serie en la siguiente tabla. Necesitará los datos del producto para realizar consultas a nuestros representantes o al Departamento de Servicio Técnico.

#### Datos del producto

Sierra de cinta	SB 4-A22
Generación:	01
N.º de serie:	

### 1.5 Declaración de conformidad

Bajo nuestra exclusiva responsabilidad, declaramos que el producto aquí descrito cumple con las directivas y normas vigentes. Encontrará una reproducción del organismo certificador al final de esta documentación. La documentación técnica se encuentra depositada aquí:

**Hilti** Entwicklungsgesellschaft mbH | Zulassung Geräte | Hiltistraße 6 | 86916 Kaufering, DE

## 2 Seguridad

### 2.1 Indicaciones generales de seguridad para herramientas eléctricas

**⚠ ADVERTENCIA** Lea con atención todas las indicaciones de seguridad, instrucciones, ilustraciones y datos técnicos correspondientes a esta herramienta eléctrica. La negligencia en el cumplimiento de las instrucciones que se describen a continuación podría provocar descargas eléctricas, incendios o lesiones graves.

**Conservar todas las instrucciones e indicaciones de seguridad para futuras consultas.**

El término «herramienta eléctrica» empleado en las indicaciones de seguridad se refiere a herramientas eléctricas portátiles, ya sea con cable de red o sin cable, en caso de ser accionadas por batería.



## Seguridad en el puesto de trabajo

- ▶ **Mantenga su área de trabajo limpia y bien iluminada.** El desorden o una iluminación deficiente de las zonas de trabajo pueden provocar accidentes.
- ▶ **No utilice la herramienta eléctrica en un entorno con peligro de explosión en el que se encuentren líquidos, gases o polvos inflamables.** Las herramientas eléctricas producen chispas que pueden llegar a inflamar los materiales en polvo o vapores.
- ▶ **Mantenga alejados a los niños y otras personas de su puesto de trabajo al emplear la herramienta eléctrica.** Una distracción le puede hacer perder el control sobre la herramienta.

## Seguridad eléctrica

- ▶ **El enchufe de la herramienta eléctrica debe corresponder a la toma de corriente utilizada. No se deberá modificar el enchufe en forma alguna. No utilice enchufes adaptadores para las herramientas eléctricas con puesta a tierra.** Los enchufes sin modificar adecuados a las respectivas tomas de corriente reducen el riesgo de descarga eléctrica.
- ▶ **Evite el contacto corporal con superficies que tengan puesta a tierra, como pueden ser tubos, calefacciones, cocinas y frigoríficos.** El riesgo a quedar expuesto a una sacudida eléctrica es mayor si su cuerpo tiene contacto con tierra.
- ▶ **No exponga las herramientas eléctricas a la lluvia y evite que penetren líquidos en su interior.** El riesgo de recibir descargas eléctricas aumenta si penetra agua en la herramienta eléctrica.
- ▶ **No utilice el cable de conexión para transportar o colgar la herramienta eléctrica ni tire de él para extraer el enchufe de la toma de corriente. Mantenga el cable de conexión alejado de fuentes de calor, aceite, aristas afiladas o piezas móviles.** Los cables de conexión dañados o enredados pueden provocar descargas eléctricas.
- ▶ **Cuando trabaje al aire libre con una herramienta eléctrica, utilice exclusivamente un alargador adecuado para exteriores.** La utilización de un alargador adecuado para su uso en exteriores evita el riesgo de una descarga eléctrica.
- ▶ **Cuando no pueda evitarse el uso de la herramienta eléctrica en un entorno húmedo, utilice un interruptor de corriente de defecto.** La utilización de un interruptor de corriente de defecto evita el riesgo de una descarga eléctrica.

## Seguridad de las personas

- ▶ **Permanezca atento, preste atención durante el trabajo y utilice la herramienta eléctrica con prudencia. No utilice una herramienta eléctrica si está cansado, ni tampoco después de haber consumido alcohol, drogas o medicamentos.** Un momento de descuido al utilizar la herramienta eléctrica podría producir graves lesiones.
- ▶ **Utilice el equipo de seguridad personal adecuado y lleve siempre gafas protectoras.** El riesgo de lesiones se reduce considerablemente si, según el tipo y la aplicación de la herramienta eléctrica empleada, se utiliza un equipo de seguridad personal adecuado como una mascarilla antipolvo, zapatos de seguridad con suela antideslizante, casco de protección o protección para los oídos.
- ▶ **Evite una puesta en servicio fortuita de la herramienta. Asegúrese de que la herramienta eléctrica está apagada antes de alzarla, transportarla, conectarla a la toma de corriente o insertar la batería.** Si transporta la herramienta eléctrica sujetándola por el interruptor de conexión/desconexión o si introduce el enchufe en la toma de corriente con la herramienta conectada, podría producirse un accidente.
- ▶ **Retire las herramientas de ajuste o llaves fijas antes de conectar la herramienta eléctrica.** Una herramienta o llave colocada en una pieza giratoria puede producir lesiones al ponerse en funcionamiento.
- ▶ **Evite adoptar posturas forzadas. Procure que la postura sea estable y manténgase siempre en equilibrio.** De esta forma podrá controlar mejor la herramienta eléctrica en caso de presentarse una situación inesperada.
- ▶ **Utilice ropa adecuada. No utilice vestimenta amplia ni joyas. Mantenga su pelo, vestimenta y guantes alejados de las piezas móviles.** La vestimenta suelta, las joyas y el pelo largo se pueden enganchar con las piezas en movimiento.
- ▶ **Siempre que sea posible montar equipos de aspiración o captación de polvo, asegúrese de que están conectados y de que se utilizan correctamente.** El uso de un sistema de aspiración de polvo reduce los riesgos derivados del polvo.
- ▶ **No se crea a salvo de cualquier riesgo ni pase por alto ninguna de las normas de seguridad relativas a las herramientas eléctricas, aun cuando esté familiarizado con la herramienta eléctrica y tenga larga experiencia en su uso.** Una actuación negligente puede provocar lesiones graves en cuestión de segundos.



### Uso y manejo de la herramienta eléctrica

- ▶ **No sobrecargue la herramienta. Utilice la herramienta eléctrica adecuada para el trabajo que se dispone a realizar.** Con la herramienta eléctrica apropiada podrá trabajar mejor y de modo más seguro dentro del margen de potencia indicado.
- ▶ **No utilice herramientas eléctricas con el interruptor defectuoso.** Las herramientas eléctricas que no se puedan conectar o desconectar son peligrosas y deben repararse.
- ▶ **Extraiga el enchufe de la toma de corriente o retire la batería extraíble antes de efectuar cualquier ajuste en la herramienta, cambiar accesorios o en caso de no utilizar la herramienta durante un tiempo prolongado.** Esta medida preventiva evita el riesgo de arranque accidental de la herramienta eléctrica.
- ▶ **Guarde las herramientas eléctricas que no utilice fuera del alcance de los niños. No permita utilizar la herramienta a ninguna persona que no esté familiarizada con ella o que no haya leído este manual de instrucciones.** Las herramientas eléctricas utilizadas por personas inexpertas son peligrosas.
- ▶ **Cuide su herramienta eléctrica y los accesorios adecuadamente. Compruebe si las piezas móviles de la herramienta funcionan correctamente y sin atascarse, y si existen piezas rotas o deterioradas que pudieran afectar al funcionamiento de la herramienta eléctrica. Encargue la reparación de las piezas defectuosas antes de usar la herramienta eléctrica.** Muchos accidentes son consecuencia de un mantenimiento inadecuado de la herramienta eléctrica.
- ▶ **Mantenga los útiles limpios y afilados.** Las herramientas de corte bien cuidadas y con aristas afiladas se atascan menos y se guían con más facilidad.
- ▶ **Utilice la herramienta eléctrica, los accesorios, útiles de inserción, etc., de acuerdo con estas instrucciones. Para ello, tenga en cuenta las condiciones de trabajo y la tarea que se va a realizar.** El uso de herramientas eléctricas para trabajos diferentes de aquellos para los que han sido concebidas puede resultar peligroso.
- ▶ **Mantenga las empuñaduras y las superficies de contacto secas, limpias y sin residuos de aceite o grasa.** Las empuñaduras y superficies de contacto resbaladizas impiden manejar y controlar la herramienta eléctrica con seguridad en situaciones imprevistas.

### Uso y manejo de la herramienta de batería

- ▶ **Cargue las baterías únicamente con los cargadores recomendados por el fabricante.** Existe riesgo de incendio al intentar cargar baterías de un tipo diferente al previsto para el cargador.
- ▶ **Utilice únicamente las baterías previstas para la herramienta eléctrica.** El uso de otro tipo de baterías puede provocar daños e incluso incendios.
- ▶ **Si no utiliza la batería, guárdela separada de clips, monedas, llaves, clavos, tornillos y demás objetos metálicos que pudieran puentear sus contactos.** El cortocircuito de los contactos de la batería puede causar quemaduras o incendios.
- ▶ **La utilización inadecuada de la batería puede provocar fugas de líquido. Evite el contacto con este líquido. En caso de contacto accidental, enjuague el área afectada con abundante agua. En caso de contacto con los ojos, acuda además inmediatamente a un médico.** El líquido de la batería puede irritar la piel o producir quemaduras.
- ▶ **No utilice baterías dañadas o modificadas.** Una batería dañada o modificada puede tener un comportamiento imprevisible y provocar incendios, explosiones o riesgo de lesiones.
- ▶ **No exponga la batería al fuego o a temperaturas muy elevadas.** El fuego o las temperaturas superiores a 130 °C (265 °F) pueden provocar una explosión.
- ▶ **Siga todas las instrucciones relativas a la carga y no cargue nunca la batería o la herramienta de batería excediendo el rango de temperatura indicado en el manual de instrucciones.** Una carga incorrecta o fuera del rango de temperatura permitido puede destruir la batería y aumentar el riesgo de incendio.

### Servicio Técnico

- ▶ **Solicite que un profesional lleve a cabo la reparación de su herramienta eléctrica y que utilice exclusivamente piezas de repuesto originales.** Solamente así se garantiza la seguridad de la herramienta.
- ▶ **No realice nunca el mantenimiento de baterías dañadas.** Cualquier mantenimiento de las baterías debe llevarlo a cabo el fabricante o un centro del Servicio de Atención al Cliente autorizado.

## 2.2 Indicaciones de seguridad adicionales para el serrado

### Seguridad de las personas

- ▶ Mantenga las manos alejadas del área de corte y de la hoja de sierra. Sujete la empuñadura adicional o la carcasa del motor con la otra mano. Si sujeta la sierra con ambas manos, no correrá peligro de lesionarse con la sierra.





- ▶ Utilice el producto solo si está en perfecto estado técnico.
- ▶ No efectúe nunca manipulaciones o modificaciones en la herramienta.
- ▶ Evite tocar las piezas en movimiento, ya que existe riesgo de lesiones.
- ▶ Para cambiar el útil, utilice también guantes de protección. El contacto con el útil de inserción puede producir cortes y quemaduras.
- ▶ Antes de iniciar el trabajo, consulte la clase de peligros derivados del polvo resultante del trabajo. Utilice un aspirador de obra con una clasificación de protección homologada conforme a las normas locales sobre la protección contra el polvo. El polvo procedente de materiales como pinturas con plomo, determinadas maderas, hormigón/mampostería/rocas con cuarzo, así como minerales y metal puede ser nocivo para la salud.
- ▶ Procure una buena ventilación en el lugar de trabajo y utilice en caso necesario una mascarilla adecuada para cada clase de polvo. El contacto con el polvo o su inhalación puede provocar reacciones alérgicas o asfixia al usuario o a personas que se encuentren en su entorno. Únicamente expertos cualificados están autorizados a manipular materiales que contengan asbesto.
- ▶ Antes de empezar a serrar, ajuste los dispositivos de profundidad y el ángulo de corte. Si durante el trabajo de serrado se modifica la configuración, la hoja de sierra puede atascarse y originar un rebote.
- ▶ Adapte la profundidad de corte al grosor de la pieza de trabajo. La hoja de sierra no debe sobresalir más de un diente de la pieza de trabajo.
- ▶ Utilice siempre un tope o una guía para ángulos rectos al realizar cortes longitudinales. De este modo se incrementa la exactitud del corte y se reduce el riesgo de atasco de la hoja de sierra.
- ▶ No toque la parte inferior de la pieza de trabajo. La caperuza protectora no le protege del contacto con la sierra en la parte inferior de la pieza de trabajo.
- ▶ No sujete nunca la pieza de trabajo con la mano o sobre sus piernas. Fije la pieza de trabajo sobre una superficie estable.
- ▶ Sujete la herramienta con firmeza siempre con ambas manos por las empuñaduras previstas manteniendo los brazos en una posición que le permita hacer frente a las fuerzas de rebote.
- ▶ Mantenga las empuñaduras secas y limpias.
- ▶ Mantenga la hoja de sierra a un lado y no la coloque en línea con su cuerpo. La sierra puede retroceder bruscamente al rebotar.
- ▶ Si la hoja de sierra se atasca o el trabajo se interrumpe, desconecte la sierra y espere hasta que la hoja de sierra se detenga. Nunca intente extraer la sierra de la pieza de trabajo ni tirar de ella hacia atrás mientras la hoja de sierra esté en funcionamiento, ya que de lo contrario puede rebotar.
- ▶ Para continuar el trabajo con la sierra insertada en la pieza de trabajo, centre la hoja de sierra en la ranura y compruebe que los dientes no estén enganchados en la pieza de trabajo.
- ▶ Preste especial atención al serrar en paredes o en áreas ocultas. Durante el proceso de serrado, la hoja de sierra puede bloqueada en objetos ocultos y provocar un rebote.

### Seguridad eléctrica

- ▶ Antes de empezar a trabajar, compruebe si la zona de trabajo oculta cables eléctricos, tuberías de gas o cañerías de agua. Las partes metálicas exteriores de la herramienta pueden provocar una descarga eléctrica si se daña por error un cable eléctrico.
- ▶ Sujete la herramienta por las empuñaduras aisladas cuando realice trabajos en los que el útil de inserción pueda entrar en contacto con cables eléctricos ocultos. El contacto con los cables conductores puede traspasar la conductividad a las partes metálicas y producir descargas eléctricas.

### Manipulación y utilización segura de las herramientas eléctricas

- ▶ Utilice siempre hojas de sierra del tamaño y con el taladro de alojamiento apropiados.
- ▶ No utilice hojas de sierra desafiladas o dañadas. Estas podrían provocar una elevada fricción, el atasco o el rebote de la hoja de sierra.
- ▶ No utilice nunca arandelas o tornillos de sujeción dañados o inapropiados para la hoja de sierra.
- ▶ Consulte las indicaciones del fabricante sobre el manejo y conservación de las hojas de sierra.

## 2.3 Indicaciones de seguridad para sierras de cinta

- ▶ **Sujete la herramienta eléctrica por las empuñaduras aisladas cuando realice trabajos en los que el útil de inserción puede entrar en contacto con cables eléctricos ocultos.** El contacto con los cables conductores puede traspasar la conductividad a las partes metálicas y producir descargas eléctricas.

## 2.4 Manipulación y utilización segura de las baterías

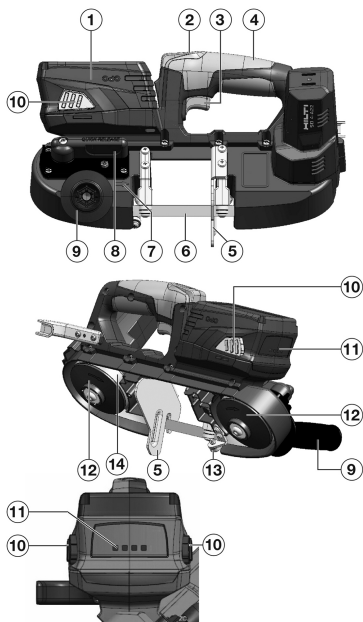
- ▶ Tenga en cuenta las directivas especiales en materia de transporte, almacenamiento y manejo de las baterías de Ion-Litio.



- ▶ Mantenga las baterías alejadas de altas temperaturas, radiación solar directa y fuego.
- ▶ Las baterías no se deben destruir, comprimir, calentar por encima de 80 °C o quemar.
- ▶ No utilice ni cargue baterías que hayan recibido algún golpe, que hayan caído desde una altura superior a un metro o que estén dañadas de alguna otra forma. En este caso, póngase siempre en contacto con el **Hilti Servicio Técnico**.
- ▶ Si al tocar la batería detecta que está muy caliente, puede deberse a una avería en la misma. Coloque el producto en un lugar visible, no inflamable y alejado de materiales inflamables, y deje que se enfríe. En este caso, póngase siempre en contacto con el **Hilti Servicio Técnico**.

### 3 Descripción

#### 3.1 Vista general del producto 1



- ① Batería
- ② Bloqueo de conexión para conmutador de control
- ③ Conmutador de control
- ④ Empuñadura (superficie de agarre aislada)
- ⑤ Medio de guiado
- ⑥ Hoja de sierra de cinta
- ⑦ Flecha de sentido de giro en la carcasa
- ⑧ Palanca de tensado de la hoja de sierra de cinta
- ⑨ Empuñadura lateral (superficie de agarre aislada)
- ⑩ Tecla de desbloqueo de la batería
- ⑪ Indicador del estado de carga de la batería
- ⑫ Rodillo para hoja de sierra de cinta
- ⑬ Guía de la hoja de sierra
- ⑭ Anillo obturador

#### 3.2 Vista general del producto 2

- ⑮ Cubierta de la hoja de sierra
- ⑯ Tornillos de fijación de la cubierta de la hoja de sierra

#### 3.3 Uso conforme a las prescripciones

El producto descrito es una sierra de cinta de batería. Está prevista para el tronzado de materiales metálicos y plásticos.

El producto ha sido diseñado para el uso con dos manos.

- Para este producto utilice únicamente las baterías de Ion-Litio de la serie B 22 de **Hilti**.
- Para estas baterías, utilice exclusivamente los cargadores suministrados por **Hilti**. Encontrará más información en la **Hilti Store** o en [www.hilti.group](http://www.hilti.group)




### 3.4 Posibles usos indebidos

- ▶ No corte ladrillos, hormigón, hormigón poroso, piedra natural ni azulejos.
- ▶ No utilice el producto para cortar tuberías que todavía contienen líquidos.
- ▶ No sierre cuando se desconozca lo que se encuentra en la capa inferior.

### 3.5 Indicador de la batería de Ion-Litio

El estado de carga de la batería de Ion-Litio y las averías de la herramienta se indican mediante el indicador de la batería de Ion-Litio. El estado de carga de la batería de Ion-Litio se visualiza pulsando una de las dos teclas de desbloqueo de la batería.

Estado	Significado
Los 4 LED se iluminan.	Estado de carga: 75 % a 100 %
Los 3 LED se iluminan.	Estado de carga: 50 % a 75 %
Los 2 LED se iluminan.	Estado de carga: 25 % a 50 %
1 LED encendido.	Estado de carga: 10 % a 25 %
1 LED parpadea.	Estado de carga: < 10 %
1 LED parpadea, la herramienta no está lista para funcionar.	La batería está sobrecalentada o totalmente descargada.
Los 4 LED parpadean, la herramienta no está lista para funcionar.	La herramienta está sobrecargada o sobrecalentada.

 Con el conmutador de control accionado y hasta 5 s después de soltarlo no es posible consultar el estado de carga. Si los LED del indicador de la batería parpadean, observe las indicaciones del capítulo «Ayuda en caso de averías».

### 3.6 Suministro

Sierra de cinta, manual de instrucciones.

Encontrará otros productos del sistema autorizados para su producto en su **Hilti Store** o en Internet, en: [www.hilti.group](http://www.hilti.group)

## 4 Datos técnicos

### 4.1 Sierra de cinta

	SB 4-A22
Tensión nominal	21,6 V
Temperatura ambiente	1 °F ... 140 °F (-17 °C ... 60 °C)
Peso (incluida batería) B228.0	9,5 lb (4,3 kg)
Velocidad de giro en vacío	548 ft/min (167 m/min)
Profundidad de corte máx.	2,50 in (63,5 mm)
Dimensiones de la hoja de sierra de cinta (Longitud x anchura x espesor)	28,875 in x 0,5 in x 0,02 in (733 mm x 12,7 mm x 0,5 mm) o 28,875 in x 0,5 in x 0,01 in (733 mm x 12,4 mm x 0,35 mm)
Temperatura de servicio	1 °F ... 140 °F (-17 °C ... 60 °C)
Temperatura de almacenamiento (sin batería)	-4 °F ... 158 °F (-20 °C ... 70 °C)



**4.2 Batería**

<b>Tensión de servicio de la batería</b>	21,6 V
<b>Temperatura ambiente en funcionamiento</b>	1 °F ... 140 °F (-17 °C ... 60 °C)
<b>Temperatura de almacenamiento</b>	-4 °F ... 104 °F (-20 °C ... 40 °C)
<b>Temperatura de la batería al comenzar la carga</b>	14 °F ... 113 °F (-10 °C ... 45 °C)

**5 Manejo****5.1 Carga de la batería**

1. Antes de cargarla, lea el manual de instrucciones del cargador.
2. Asegúrese de que los contactos de la batería y del cargador estén limpios y secos.
3. Cargue la batería en un cargador autorizado.

**5.2 Colocación de la batería 3****⚠ ADVERTENCIA**

**Peligro eléctrico** Peligro por cortocircuito.

- ▶ Antes de insertar la batería, asegúrese de que no haya cuerpos extraños en los contactos de la batería ni de la sierra.

**⚠ ADVERTENCIA**

**Riesgo de lesiones** Peligro por la caída de la batería.

- ▶ Si se cae la batería, puede dañarle a usted y a otras personas. Compruebe que la batería esté bien colocada en la sierra de cinta.
- ▶ Introduzca la batería en el producto empujando hacia atrás hasta que oiga un doble clic que le indica que está encajada en el tope.

**5.3 Extracción de la batería 4**

1. Mantenga pulsados los dos botones de desbloqueo.
2. Extraiga la batería del producto tirando hacia delante.

**5.4 Comportamiento de seguridad 4****⚠ PRECAUCIÓN**

**Riesgo de lesiones por arranque involuntario.**

- ▶ Antes de insertar la batería, asegúrese de que el producto correspondiente esté desconectado.
- ▶ Retire la batería antes de realizar ajustes en la herramienta o de cambiar accesorios.
- ▶ Mantenga pulsados los dos botones de desbloqueo.
- ▶ Extraiga la batería del producto tirando hacia delante.

**5.5 Colocación/cambio de la hoja de sierra de cinta 5****⚠ ADVERTENCIA**

**Riesgo de daños** El uso de hojas de sierra de cinta inadecuadas o mal colocadas puede dañar la sierra.

- ▶ Utilice solo hojas de sierra de cinta adecuadas para esta sierra.

**⚠ ADVERTENCIA**

**Riesgo de lesiones** Al tocar la hoja de sierra de cinta.

- ▶ Utilice siempre guantes de protección para montar la hoja de sierra de cinta.



1. Afloje los dos tornillos de la cubierta de la sierra de cinta y retirela.
2. Desatornille la empuñadura lateral en sentido antihorario y extráigala de la carcasa de la sierra de cinta.
3. Gire la palanca 180° en el sentido de giro hasta el tope.



Para accionar la palanca, la empuñadura lateral debe estar desmontada.

4. Introduzca la hoja de sierra de cinta sucesivamente en las guías de la hoja de sierra. El dorso de la hoja debe tocar los rodamientos de la parte inferior de las guías de la hoja de sierra.
5. Guíe la hoja de sierra de cinta sucesivamente alrededor de los dos rodillos.
6. Gire la palanca 180° en el sentido de giro hasta el tope.
7. Compruebe si la hoja de sierra de cinta está guiada correctamente alrededor de los dos rodillos.
8. Vuelva a colocar la cubierta de la hoja de sierra de cinta.
  - ▶ Fíjese en que la cubierta quede bien colocada.
9. Atornille la empuñadura lateral en sentido horario en la carcasa de la sierra de cinta.
10. Compruebe el correcto asiento de la hoja de sierra de cinta, para ello encienda y apague brevemente varias veces la sierra de cinta.

## 5.6 Montaje de la empuñadura lateral 6



### PRECAUCIÓN

**Riesgo de lesiones** Pérdida de control de la sierra de cinta.

- ▶ Utilice el producto solo con la empuñadura lateral. Atornille la empuñadura lateral en el orificio roscado correspondiente de la carcasa.
- ▶ Monte la empuñadura lateral.

## 5.7 Sustitución del anillo obturador 7

1. Retire la batería. → página 30
2. Afloje los dos tornillos de la cubierta de la sierra de cinta y retirela.
3. Desatornille la empuñadura lateral en sentido antihorario y extráigala de la carcasa de la sierra de cinta.
4. Gire la palanca 180° en el sentido de giro hasta el tope.



Para accionar la palanca, la empuñadura lateral debe estar desmontada.

5. Retire la hoja de sierra de cinta.
6. Compruebe si hay suciedad en las ranuras y límpielas en caso necesario.
7. Retire el anillo obturador.
8. Tense el nuevo anillo obturador sobre el rodillo para la hoja de sierra de cinta.
9. Desplace el anillo obturador completamente en las ranuras.
  - ▶ El anillo obturador se cierra con las ranuras.
  - ▶ El anillo obturador no se cierra con las ranuras.
    - ▶ Alinee el anillo obturador.
10. Introduzca la hoja de sierra de cinta sucesivamente en las guías de la hoja de sierra. El dorso de la hoja debe tocar los rodamientos de la parte inferior de las guías de la hoja de sierra.
11. Guíe la hoja de sierra de cinta sucesivamente alrededor de los dos rodillos.
12. Gire la palanca 180° en el sentido de giro hasta el tope.
13. Compruebe si la hoja de sierra de cinta está guiada correctamente alrededor de los dos rodillos.
14. Vuelva a colocar la cubierta de la hoja de sierra de cinta.
  - ▶ Fíjese en que la cubierta quede bien colocada.
15. Atornille la empuñadura lateral en sentido horario en la carcasa de la sierra de cinta.
16. Compruebe el correcto asiento de la hoja de sierra de cinta; para ello, encienda y apague brevemente varias veces la sierra de cinta.

## 5.8 Conexión

1. Accione el bloqueo de conexión.



## 2. Pulse el conmutador de control.



Por motivos de seguridad, el conmutador de control no puede bloquearse, sino que debe permanecer pulsado constantemente durante el funcionamiento.

## 5.9 Desconexión



### ADVERTENCIA

**Riesgo de lesiones** por funcionamiento residual de la sierra.

- ▶ No levante el producto de la pieza hasta que se haya parado por completo.
- ▶ Espere hasta que el producto se haya detenido por completo antes de dejarlo sobre alguna superficie.
- ▶ Suelte el conmutador de control.

## 5.10 Alineación de la pieza de trabajo

- ▶ Alinee la pieza de trabajo y la sierra de cinta entre sí.



Una mala alineación aumenta el riesgo de rebote.

## 6 Cuidado, mantenimiento, transporte y almacenamiento

### 6.1 Cuidado y mantenimiento



### ADVERTENCIA

**Riesgo de lesiones con la batería colocada !**

- ▶ Extraiga siempre la batería antes de llevar a cabo tareas de cuidado y mantenimiento.

#### Mantenimiento de la herramienta

- Retire con cuidado la suciedad fuertemente adherida.
- Limpie cuidadosamente las rejillas de ventilación con un cepillo seco.
- Limpie la carcasa utilizando únicamente un paño ligeramente humedecido. No utilice limpiadores que contengan silicona, ya que podría afectar a las piezas de plástico.

#### Cuidado de las baterías de Ion-Litio

- Mantenga la batería limpia y sin residuos de aceite o grasa.
- Limpie la carcasa utilizando únicamente un paño ligeramente humedecido. No utilice limpiadores que contengan silicona, ya que podría afectar a las piezas de plástico.
- Evite la penetración de humedad.

#### Mantenimiento

- Compruebe con regularidad si las piezas visibles están dañadas o si los elementos de manejo funcionan correctamente.
- No utilice el producto si presenta daños o fallos que afecten al funcionamiento. Llévela de inmediato al Servicio Técnico de **Hilti** para que la reparen.
- Coloque todos los dispositivos de protección después de las tareas de cuidado y mantenimiento y compruebe su correcto funcionamiento.



Para garantizar un correcto funcionamiento, utilice exclusivamente piezas de repuesto y material de consumo originales. Puede encontrar piezas de repuesto, consumibles y accesorios para su producto que nosotros mismos comercializamos en **Hilti Store** o en: [www.hilti.group](http://www.hilti.group).

### 6.2 Transporte y almacenamiento de las herramientas alimentadas por batería

#### Transporte



### PRECAUCIÓN

**Arranque involuntario en el transporte !**

- ▶ Transporte sus productos siempre sin batería.
- ▶ Retire las baterías.



- ▶ No transporte nunca las baterías sin embalaje.
- ▶ Compruebe si la herramienta o las baterías presentan daños tras haber sido transportadas durante mucho tiempo.

## Almacenamiento

### PRECAUCIÓN

#### Daños imprevistos debido a una batería defectuosa o agotada !

- ▶ Guarde su productos siempre sin batería.
- ▶ Guarde la herramienta y las baterías en un lugar lo más seco y fresco posible.
- ▶ No guarde nunca las baterías en un lugar expuesto al sol, sobre un radiador o detrás de una luna de cristal.
- ▶ Guarde la herramienta y las baterías fuera del alcance de niños y personas no autorizadas.
- ▶ Compruebe si la herramienta o las baterías presentan daños tras haber sido almacenadas durante mucho tiempo.

## 7 Ayuda en caso de averías

Si se producen averías que no estén incluidas en esta tabla o que no pueda solucionar usted, diríjase al Servicio Técnico de **Hilti**.

### 7.1 La sierra de cinta no está lista para funcionar

Anomalia	Posible causa	Solución
Los LED no indican nada.	La batería no se ha insertado completamente.	▶ Encaje la batería hasta que note un doble clic.
	La batería está agotada.	▶ Cargue la batería.
	Bloqueo de conexión no accionado.	▶ Accione el bloqueo de conexión.
1 LED parpadea.	La batería está descargada.	▶ Cambie la batería y recargue la batería vacía.
	La batería está demasiado caliente o fría.	▶ Deje que la batería alcance la temperatura de trabajo recomendada.
Los 4 LED parpadean.	Sierra de cinta sobrecargada brevemente.	▶ Suelte el conmutador de control y vuélvalo a accionar.
	Sierra de cinta demasiado caliente.	▶ Deje enfriar la sierra de cinta.
	Herramienta bloqueada	▶ Compruebe si la hoja de sierra está correctamente montada o si está dañada.

### 7.2 La sierra de cinta está lista para funcionar

Anomalia	Posible causa	Solución
La herramienta no desarrolla toda la potencia.	Conmutador de control no pulsado del todo.	▶ Pulse completamente el conmutador de control.
	La batería está descargada.	▶ Cambie la batería y recargue la batería vacía.

## 8 Reciclaje

Las herramientas **Hilti** están fabricadas en su mayor parte con materiales reutilizables. La condición para dicha reutilización es una separación adecuada de los materiales. En muchos países, **Hilti** recoge las herramientas usadas para su recuperación. Pregunte en el Servicio de Atención al Cliente de **Hilti** o a su asesor de ventas.

### Eliminación de las baterías

Los gases y líquidos originados por una eliminación indebida de las baterías pueden ser perjudiciales para la salud.



- ▶ No envíe baterías dañadas bajo ningún concepto.
- ▶ Cubra las conexiones con un material no conductor para evitar cortocircuitos.
- ▶ Deshágase de las baterías de tal forma que no terminen en manos de niños.
- ▶ Elimine la batería en su **Hilti Store** o diríjase a su empresa de desechos.



- ▶ No deseche las herramientas eléctricas, los aparatos eléctricos ni las baterías junto con los residuos domésticos.

## 9 Garantía del fabricante

- ▶ Si tiene alguna consulta acerca de las condiciones de la garantía, póngase en contacto con su sucursal local de **Hilti**.

# Manual de instruções original

## 1 Indicações sobre a documentação

### 1.1 Sobre esta documentação

- Antes da colocação em funcionamento, leia esta documentação. Esta é a condição para um trabalho seguro e um manuseamento sem problemas.
- Tenha em atenção as instruções de segurança e as advertências nesta documentação e no produto.
- Guarde o manual de instruções sempre junto do produto e entregue-o a outras pessoas apenas juntamente com este manual.

### 1.2 Explicação dos símbolos

#### 1.2.1 Advertências

As advertências alertam para perigos durante a utilização do produto. São utilizadas as seguintes palavras de aviso:

#### **PERIGO**

##### **PERIGO !**

- ▶ Indica perigo iminente que pode originar acidentes pessoais graves ou até mesmo fatais.

#### **AVISO**

##### **AVISO !**

- ▶ Indica um possível perigo que pode causar graves ferimentos pessoais, até mesmo fatais.





#### **CUIDADO**

##### **CUIDADO !**

- ▶ Indica uma situação potencialmente perigosa que pode originar ferimentos ligeiros ou danos materiais.

#### 1.2.2 Símbolos na documentação

Nesta documentação são utilizados os seguintes símbolos:

	Leia o manual de instruções antes da utilização
	Instruções de utilização e outras informações úteis
	Manuseamento com materiais recicláveis
	Não deitar as ferramentas eléctricas e baterias no lixo doméstico





### 1.2.3 Símbolos nas figuras

Em figuras são utilizados os seguintes símbolos:

	Estes números referem-se à respectiva imagem no início deste Manual
3	A numeração reproduz uma sequência dos passos de trabalho na imagem e pode divergir dos passos de trabalho no texto
	Na figura <b>Vista geral</b> são utilizados números de posição que fazem referência aos números da legenda na secção <b>Vista geral do produto</b>
	Este símbolo pretende despertar a sua atenção durante o manuseamento do produto.

## 1.3 Símbolos dependentes do produto

### 1.3.1 Símbolos

No produto, podem usar-se os seguintes símbolos:

	Corrente contínua
	A ferramenta suporta a tecnologia NFC que é compatível com plataformas iOS e Android.
Li-Ion	Bateria de iões de lítio
	Série utilizada da bateria de iões de lítio <b>Hilti</b> . Tenha em atenção as indicações no capítulo <b>Utilização conforme a finalidade projectada</b> .
	Nunca utilize a bateria como ferramenta de percussão.
	Não deixe cair a bateria. Não utilize baterias que tenham recebido uma pancada ou que estejam, de outra forma, danificadas.

## 1.4 Dados informativos sobre o produto

Os produtos destinam-se ao utilizador profissional e só podem ser operados, mantidos e reparados por pessoal autorizado, devidamente qualificado. Estas pessoas deverão estar informadas em particular sobre os potenciais perigos. O produto e seu equipamento auxiliar podem representar perigo se usados incorrectamente por pessoas não qualificadas ou se usados para fins diferentes daqueles para os quais foram concebidos.

A designação e o número de série são indicados na placa de características.

- ▶ Registe o número de série na tabela seguinte. Precisa dos dados do produto para colocar questões ao nosso representante ou posto de serviço de atendimento aos clientes.

#### Dados do produto

Serra de cinta	SB 4-A22
Geração:	01
N.º de série:	

## 1.5 Declaração de conformidade

Declaramos sob nossa exclusiva responsabilidade que o produto aqui descrito está em conformidade com as directivas e normas em vigor. Na parte final desta documentação encontra uma reprodução do organismo de certificação.

As documentações técnicas estão aqui guardadas:

**Hilti** Entwicklungsgesellschaft mbH | Zulassung Geräte | Hiltistraße 6 | 86916 Kaufering, DE



### 2.1 Normas de segurança gerais para ferramentas eléctricas

**⚠ AVISO** Leia todas as normas de segurança, instruções, imagens e dados técnicos, com os quais esta ferramenta eléctrica está equipada. O não cumprimento das instruções a seguir pode resultar em choque eléctrico, incêndio e/ou ferimentos graves.

**Guarde bem todas as normas de segurança e instruções para futura referência.**

O termo “ferramenta eléctrica” utilizado nas normas de segurança refere-se a ferramentas com ligação à corrente eléctrica (com cabo de alimentação) ou a ferramentas a bateria (sem cabo).

#### Segurança no posto de trabalho

- ▶ **Mantenha a sua área de trabalho limpa e bem iluminada.** Locais desarrumados ou mal iluminados podem ocasionar acidentes.
- ▶ **Não utilize a ferramenta eléctrica em ambientes explosivos ou na proximidade de líquidos ou gases inflamáveis.** Ferramentas eléctricas produzem faíscas que podem provocar a ignição de pó e vapores.
- ▶ **Mantenha crianças e terceiros afastados durante os trabalhos.** Distacções podem conduzir à perda de controlo sobre a ferramenta.

#### Segurança eléctrica

- ▶ **A ficha da ferramenta eléctrica deve servir na tomada. A ficha não deve ser modificada de modo algum. Não utilize quaisquer adaptadores com ferramentas eléctricas com ligação terra.** Fichas originais (não modificadas) e tomadas adequadas reduzem o risco de choque eléctrico.
- ▶ **Evite o contacto do corpo com superfícies ligadas à terra, como, por exemplo, canos, radiadores, fogões e frigoríficos.** Existe um risco elevado de choque eléctrico se o corpo estiver com ligação à terra.
- ▶ **As ferramentas eléctricas não devem ser expostas à chuva nem à humidade.** A infiltração de água numa ferramenta eléctrica aumenta o risco de choque eléctrico.
- ▶ **Não use o cabo de ligação para transportar, pendurar ou desligar a ferramenta eléctrica da tomada. Mantenha o cabo de ligação afastado de calor, óleo, arestas vivas ou partes em movimento.** Cabos de ligação danificados ou emaranhados aumentam o risco de choque eléctrico.
- ▶ **Quando operar uma ferramenta eléctrica ao ar livre, utilize apenas cabos de extensão próprios para utilização no exterior.** A utilização de um cabo de extensão próprio para utilização no exterior reduz o risco de choques eléctricos.
- ▶ **Utilize um disjuntor diferencial se não puder ser evitada a utilização da ferramenta eléctrica em ambiente húmido.** A utilização de um disjuntor diferencial reduz o risco de choque eléctrico.

#### Segurança física

- ▶ **Esteja alerta, observe o que está a fazer, e tenha prudência ao trabalhar com uma ferramenta eléctrica. Se estiver cansado ou sob influência de drogas, álcool ou medicamentos não efectue nenhum trabalho com ferramentas eléctricas.** Um momento de distracção ao operar a ferramenta eléctrica pode causar ferimentos graves.
- ▶ **Use equipamento de segurança. Use sempre óculos de protecção.** Equipamento de segurança, como, por exemplo, máscara antipoeiras, sapatos de segurança antiderrapantes, capacete de segurança ou protecção auricular, de acordo com o tipo e aplicação da ferramenta eléctrica, reduzem o risco de lesões.
- ▶ **Evite um arranque involuntário. Assegure-se de que a ferramenta eléctrica está desligada antes de a ligar à fonte de alimentação e/ou à bateria, pegar nela ou a transportar.** Transportar a ferramenta eléctrica com o dedo no interruptor ou ligar uma ferramenta à tomada com o interruptor ligado (ON) pode resultar em acidentes.
- ▶ **Remova quaisquer chaves de ajuste (chaves de fenda), antes de ligar a ferramenta eléctrica.** Um acessório ou chave deixado preso numa parte rotativa da ferramenta pode causar ferimentos.
- ▶ **Evite posturas corporais desfavoráveis. Mantenha sempre uma posição correcta, em perfeito equilíbrio.** Desta forma será mais fácil manter o controlo sobre a ferramenta eléctrica em situações inesperadas.
- ▶ **Use roupa apropriada. Não use roupa larga ou jóias. Mantenha o cabelo, vestuário e luvas afastados das peças móveis.** Roupas largas, jóias ou cabelos compridos podem ficar presos nas peças móveis.
- ▶ **Se poderem ser montados sistemas de remoção e de recolha de pó, assegure-se de que estes estão ligados e são utilizados correctamente.** A utilização de um sistema de remoção de pó pode reduzir os perigos relacionados com a exposição ao mesmo.



- ▶ **Não se acomode numa falsa sensação de segurança e não ignore os regulamentos de segurança para ferramentas eléctricas, mesmo se estiver familiarizado com a ferramenta eléctrica após numerosas utilizações.** Agir de forma descuidada pode causar ferimentos graves dentro duma fracção de segundo.

#### Utilização e manuseamento da ferramenta eléctrica

- ▶ **Não sobrecarregue a ferramenta. Use para o seu trabalho a ferramenta eléctrica correcta.** Com a ferramenta eléctrica adequada obterá maior eficiência e segurança se respeitar os seus limites.
- ▶ **Não utilize a ferramenta eléctrica se o interruptor estiver defeituoso.** Uma ferramenta eléctrica que já não possa ser accionada pelo interruptor é perigosa e deve ser reparada.
- ▶ **Retire a ficha da tomada e/ou remova uma bateria amovível antes de efectuar ajustes na ferramenta, substituir acessórios ou guardar a ferramenta.** Esta medida preventiva evita o accionamento accidental da ferramenta eléctrica.
- ▶ **Guarde ferramentas eléctricas não utilizadas fora do alcance das crianças. Não permita que a ferramenta seja utilizada por pessoas não familiarizadas com a mesma ou que não tenham lido estas instruções.** Ferramentas eléctricas operadas por pessoas não treinadas são perigosas.
- ▶ **Faça uma manutenção regular de ferramentas eléctricas e acessórios. Verifique se as partes móveis funcionam perfeitamente e não emperram ou se há peças quebradas ou danificadas que possam influenciar o funcionamento da ferramenta eléctrica. Peças danificadas devem ser reparadas antes da utilização da ferramenta.** Muitos acidentes são causados por ferramentas eléctricas com manutenção deficiente.
- ▶ **Mantenha as ferramentas de corte sempre afiadas e limpas.** Acessórios com gumes afiados tratados correctamente emperram menos e são mais fáceis de controlar.
- ▶ **Utilize a ferramenta eléctrica, acessórios, bits, etc., de acordo com estas instruções. Tome também em consideração as condições de trabalho e o trabalho a ser efectuado.** A utilização da ferramenta eléctrica para outros fins além dos previstos, pode ocasionar situações de perigo.
- ▶ **Mantenha punhos e respectivas superfícies secos, limpos e isentos de óleo e gordura.** Punhos e superfícies afins escorregadios não permitem um manuseamento e controlo seguro da ferramenta eléctrica em situações imprevistas.

#### Utilização e manuseamento da ferramenta a bateria

- ▶ **Apenas deverá carregar as baterias em carregadores recomendados pelo fabricante.** Num carregador adequado para um determinado tipo de baterias existe perigo de incêndio se for utilizado para outras baterias.
- ▶ **Nas ferramentas eléctricas utilize apenas as baterias previstas.** A utilização de outras baterias pode causar ferimentos e riscos de incêndio.
- ▶ **Quando a bateria não estiver em uso, mantenha-a afastada de outros objectos de metal, como, por exemplo, cliques, moedas, chaves, pregos, parafusos, ou outros pequenos objectos metálicos que possam ligar em ponte os contactos.** Um curto-circuito entre os contactos da bateria pode causar queimaduras ou incêndio.
- ▶ **Utilizações inadequadas podem provocar derrame do líquido da bateria. Evite o contacto com este líquido. No caso de contacto accidental, enxágue imediatamente com água. Se o líquido entrar em contacto com os olhos, procure auxílio médico.** O líquido que escorre da bateria pode provocar irritações ou queimaduras da pele.
- ▶ **Não utilize uma bateria danificada ou modificada.** Baterias danificadas ou modificadas podem ter um comportamento imprevisível e causar fogo, explosão ou risco de ferimentos.
- ▶ **Não exponha uma bateria ao fogo ou a temperaturas excessivas.** Fogo e temperaturas superiores a 130 °C (265 °F) podem provocar uma explosão.
- ▶ **Cumpra todas as instruções sobre o carregamento e nunca carregue a bateria ou a ferramenta a bateria fora da faixa de temperaturas indicada no manual de instruções.** O carregamento errado ou fora da faixa de temperaturas permitida pode destruir a bateria e aumentar o risco de incêndio.

#### Manutenção

- ▶ **A sua ferramenta eléctrica só deve ser reparada por pessoal qualificado e só devem ser utilizadas peças sobressalentes originais.** Isto assegurará que a segurança da ferramenta se mantenha.
- ▶ **Nunca faça a manutenção de baterias danificadas.** Qualquer manutenção de baterias só deverá ser realizada pelo fabricante ou serviços de assistência técnica autorizados.



## 2.2 Normas de segurança adicionais para serras

### Segurança física

- ▶ Não introduza as mãos na zona de corte nem toque na própria lâmina de serra. Segure o punho adicional ou a carcaça do motor com a outra mão. Se ambas as mãos segurarem a serra, estas não poderão ser feridas pela serra.
- ▶ Utilize o produto somente se estiver em perfeitas condições técnicas.
- ▶ Nunca efectue quaisquer manipulações ou modificações na ferramenta.
- ▶ Evite o contacto com peças rotativas - Perigo de ferimentos!
- ▶ Também deve usar luvas de protecção durante a substituição de acessórios. Tocar no acessório pode causar ferimentos por corte e queimaduras.
- ▶ Antes de iniciar os trabalhos, apure a classe de perigo do pó gerado. Utilize um aspirador industrial com protecção aprovada e que esteja de acordo com as regulamentações locais sobre emissão de poeiras nocivas para o ambiente. Pós de materiais, como tinta com chumbo, algumas madeiras, betão/alvenaria/rochas quartzíferas, minerais e metal podem ser nocivos para a saúde.
- ▶ Garanta uma boa ventilação do local de trabalho e, se necessário, use uma máscara de protecção respiratória, adequada para o respectivo pó. O contacto ou a inalação do pó podem provocar reacções alérgicas e/ou doenças das vias respiratórias no utilizador ou em pessoas que se encontrem nas proximidades. Material que contenha amianto só pode ser manuseado por pessoal especializado.
- ▶ Ajuste as regulações da profundidade e do ângulo de corte antes de começar com o corte. Se as regulações se modificam durante o corte, a lâmina de serra pode bloquear-se, produzindo um coice.
- ▶ Adapte a profundidade de corte à espessura da peça a trabalhar. Menos de uma altura total de um dente do dentado da lâmina deveria desaparecer abaixo da peça a cortar.
- ▶ Utilize sempre um encosto ou uma guia recta quando efectuar cortes longitudinais. Isto melhora a qualidade do corte e reduz a possibilidade de a lâmina de serra bloquear.
- ▶ Não introduza a mão por baixo da peça a cortar. O resguardo de disco não poderá protegê-lo da serra neste sítio.
- ▶ Nunca segure a peça a cortar com as mãos ou sobre as pernas. Fixe-a a um suporte estável.
- ▶ Segure sempre a ferramenta com ambas as mãos nos punhos previstos para o efeito, colocando os braços numa posição em que poderá absorver as forças do contragolpe.
- ▶ Mantenha os punhos secos e limpos.
- ▶ Coloque-se sempre ao lado da lâmina de serra, fazendo com que a lâmina de serra e o próprio corpo nunca se encontrem na mesma linha. Em caso de contragolpe, a serra pode saltar para trás!
- ▶ Se a lâmina de serra encravar ou se interromper os trabalhos, desligue a serra e mantenha-a parada, até que a lâmina fique imobilizada. Nunca tente retirar a lâmina de serra da peça a cortar ou retroceder com a serra enquanto a mesma está em movimento; caso contrário, pode ocorrer um coice.
- ▶ Se pretender fazer arrancar uma serra dentro do material, centre a lâmina na ranhura de corte e verifique se os dentes não estão encravados na peça a cortar.
- ▶ Tenha particular atenção ao cortar em paredes existentes ou noutras áreas não inspecionáveis. Durante a imersão, a lâmina de serra pode ficar bloqueada em objectos encobertos, causando um coice.

### Segurança eléctrica

- ▶ Antes de iniciar os trabalhos, verifique o local de trabalho relativamente a cabos eléctricos encobertos, bem como tubos de gás e água. Partes metálicas externas da ferramenta podem causar um choque eléctrico se, inadvertidamente, danificarem uma linha eléctrica.
- ▶ Segure a ferramenta apenas pelas áreas isoladas dos punhos quando executar trabalhos onde o acessório pode encontrar cabos eléctricos encobertos. O contacto com um cabo sob tensão também pode colocar partes metálicas da ferramenta sob tensão e causar um choque eléctrico.

### Utilização e manutenção de ferramentas eléctricas

- ▶ Utilize sempre lâminas de serra do tamanho indicado e com um orifício de montagem adequado.
- ▶ Não utilize lâminas de serra embotadas ou danificadas. Elas provocam uma maior fricção, prisão ou contragolpe da lâmina.
- ▶ Nunca utilize anilhas adicionais ou parafusos para a lâmina de serra que estejam danificados ou não sejam adequados.
- ▶ Observe as instruções do fabricante para manuseamento e arrumação das lâminas de serra.

## 2.3 Normas de segurança para serra de cinta

- ▶ **Segure a ferramenta eléctrica apenas pelas áreas isoladas dos punhos, quando executar trabalhos em que o acessório possa encontrar cabos eléctricos encobertos.** O contacto com um cabo sob tensão também pode colocar partes metálicas da ferramenta sob tensão e causar um choque eléctrico.

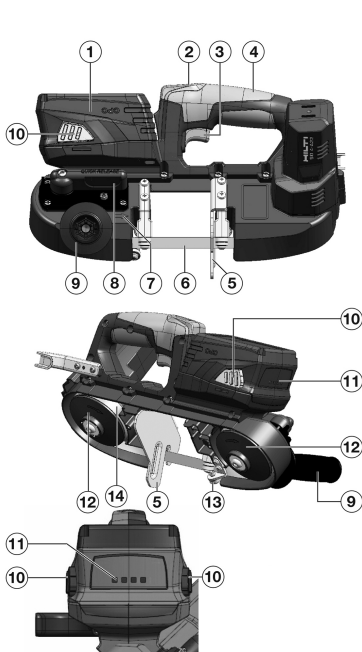


## 2.4 Utilização e manutenção de baterias

- ▶ Observe as regras específicas sobre transporte, armazenagem e utilização de baterias de íões de lítio.
- ▶ Mantenha as baterias afastadas de temperaturas elevadas, radiação solar directa e fogo.
- ▶ As baterias não podem ser desmonteladas, esmagadas, aquecidas acima dos 80 °C ou incineradas.
- ▶ Não utilize ou carregue quaisquer baterias que tenham sofrido golpes, tenham caído de altura superior a um metro ou tenham sido danificadas de outra forma. Neste caso, contacte sempre o seu **Centro de Assistência Técnica Hilti**.
- ▶ Se a bateria estiver demasiado quente ao toque, poderá estar com defeito. Coloque o produto num local que não constitua risco de incêndio, suficientemente afastado de materiais combustíveis, onde possa ser vigiado e deixe-o arrefecer. Neste caso, contacte sempre o seu **Centro de Assistência Técnica Hilti**.

## 3 Descrição

### 3.1 Vista geral do produto 1



- ① Bateria
- ② Dispositivo de bloqueio para interruptor on/off
- ③ Interruptor on/off
- ④ Punho (superfície isolada do punho)
- ⑤ Auxílio de guia
- ⑥ Lâmina de serra de cinta
- ⑦ Seta indicadora do sentido de rotação na carcaça
- ⑧ Alavanca para tensionamento da lâmina de serra de cinta
- ⑨ Punho auxiliar (superfície isolada do punho)
- ⑩ Botão de destravamento da bateria
- ⑪ Indicação do estado de carga da bateria
- ⑫ Rolo para lâmina de serra de cinta
- ⑬ Guia da lâmina de serra
- ⑭ Anel vedante

### 3.2 Vista geral do produto 2

- ⑮ Cobertura da lâmina de serra
- ⑯ Parafusos de fixação da cobertura da lâmina de serra

### 3.3 Utilização conforme a finalidade projectada

O produto descrito é uma serra de cinta a bateria. Foi concebida para cortar metais e plásticos. O produto foi concebido para uma utilização com ambas as mãos.

- Para este produto, utilize apenas as baterias de íões de lítio **Hilti** da série B 22.
- Utilize apenas carregadores aprovados pela **Hilti** para estas baterias. Pode encontrar mais informações na sua **Hilti Store** ou em: [www.hilti.group](http://www.hilti.group)




### 3.4 Possível uso incorrecto

- ▶ Nunca corte tijolos, betão, betão poroso, pedra natural ou azulejos.
- ▶ Não utilize o produto para cortar tubos que ainda contenham líquidos.
- ▶ Não utilize a serra de sabre para serrar materiais desconhecidos.

### 3.5 Indicador da bateria de iões de lítio

O estado da carga da bateria de iões de lítio e as avarias da ferramenta são sinalizados através da indicação da bateria de iões de lítio. O estado de carga da bateria de iões de lítio (Li-Ion) é exibida pressionando um dos dois botões de destravamento da bateria.

Estado	Significado
4 LEDs acendem.	Estado de carga: 75% a 100%
3 LEDs acendem.	Estado de carga: 50% a 75%
2 LEDs acendem.	Estado de carga: 25% a 50%
1 LED acende.	Estado de carga: 10% a 25%
1 LED pisca.	Estado de carga: < 10%
1 LED pisca, o aparelho não está pronto a funcionar.	A bateria sobreaqueceu ou está totalmente descarregada.
4 LEDs piscam, a ferramenta não está pronta a funcionar.	A ferramenta está sobrecarregada ou sobreaquecida.

 Com o interruptor on/off pressionado e até 5 segundos depois de o soltar, não é possível consultar o estado de carga. Se os LEDs da indicação da bateria estiverem a piscar, leia as indicações no capítulo Ajuda em caso de avarias.

### 3.6 Incluído no fornecimento

Serra de cinta, manual de instruções.

Poderá encontrar outros produtos de sistema aprovados para o seu produto na sua **Hilti Store** ou em: [www.hilti.group](http://www.hilti.group)

## 4 Características técnicas

### 4.1 Serra de cinta

	<b>SB 4-A22</b>
<b>Tensão nominal</b>	21,6 V
<b>Temperatura ambiente</b>	1 °F ... 140 °F (-17 °C ... 60 °C)
<b>Peso incluindo bateria B22/8.0</b>	9,5 lb (4,3 kg)
<b>Velocidade de rotação em vazio</b>	548 ft/min (167 m/min)
<b>Profundidade máx. de corte</b>	2,50 in (63,5 mm)
<b>Dimensões da lâmina de cinta (Comprimento x Largura x Espessura)</b>	28,875 in x 0,5 in x 0,02 in (733 mm x 12,7 mm x 0,5 mm) ou 28,875 in x 0,5 in x 0,01 in (733 mm x 12,4 mm x 0,35 mm)
<b>Temperatura de funcionamento</b>	1 °F ... 140 °F (-17 °C ... 60 °C)
<b>Temperatura de armazenagem (sem bateria)</b>	-4 °F ... 158 °F (-20 °C ... 70 °C)



## 4.2 Bateria

Tensão de serviço da bateria	21,6 V
Temperatura ambiente durante o funcionamento	1 °F ... 140 °F (-17 °C ... 60 °C)
Temperatura de armazenagem	-4 °F ... 104 °F (-20 °C ... 40 °C)
Temperatura da bateria no início do carregamento	14 °F ... 113 °F (-10 °C ... 45 °C)

## 5 Utilização

### 5.1 Carregar a bateria

1. Antes de carregar, leia o manual de instruções do carregador.
2. Certifique-se de que os contactos da bateria e do carregador estão limpos e secos.
3. Carregue a bateria num carregador aprovado.

### 5.2 Colocar a bateria

#### AVISO

**Riscos eléctricos** Perigo devido a curto-circuito.

- ▶ Certifique-se de que os contactos da bateria e os contactos na serra estão livres de objectos estranhos antes de colocar a bateria.

#### AVISO

**Risco de ferimentos** Perigo devido a bateria mal encaixada.

- ▶ Uma bateria mal encaixada pode cair e causar acidentes. Verifique se a bateria está correctamente encaixada na serra de cinta.
- ▶ Empurre a bateria para trás, para dentro do produto, até que engate no encosto com um duplo clique audível.

### 5.3 Retirar a bateria

1. Pressione ambas as teclas de destravamento e mantenha-as pressionadas.
2. Puxe a bateria para a frente, para fora do produto.

### 5.4 Procedimentos de segurança

#### CUIDADO

**Risco de ferimentos devido a arranque involuntário!**

- ▶ Antes de encaixar a bateria, certifique-se de que o produto correspondente está desligado.
- ▶ Remova a bateria, antes de efectuar ajustes na ferramenta ou substituir acessórios.
- ▶ Pressione ambas as teclas de destravamento e mantenha-as pressionadas.
- ▶ Retire a bateria para a frente, para fora do produto.

### 5.5 Aplicar/substituir a lâmina da serra de cinta

#### AVISO

**Perigo de danos** Lâminas de serra de cinta inadequadas ou incorrectamente inseridas podem danificar a serra.

- ▶ Utilize somente lâminas de serra de cinta adequadas para esta serra.



 **AVISO**

**Risco de ferimentos** devido ao toque na lâmina da serra de cinta.

- ▶ o montar a lâmina da serra de cinta utilize luvas de protecção.

1. Solte os 2 parafusos da cobertura da lâmina da serra e retire-os.
2. Desenrosque o punho auxiliar no sentido contrário ao dos ponteiros do relógio, para fora da carcaça da serra de cinta.
3. Vire a alavanca 180 ° no sentido de rotação, até ao batente.



Para o accionamento da alavanca é necessário que o punho auxiliar esteja desmontado.

4. Insira a lâmina da serra de cinta sucessivamente nas guias da lâmina de serra. O lado de trás da lâmina de serra deverá tocar os apoios na parte inferior das guias da lâmina de serra.
5. Conduza a lâmina da serra de cinta sucessivamente em torno dos dois rolos.
6. Vire a alavanca 180 ° no sentido de rotação, até ao batente.
7. Verificar se a lâmina da serra de cinta está correctamente conduzida em torno dos dois rolos.
8. Volte a aplicar a cobertura da lâmina de serra.
  - ▶ Nessa ocasião, preste atenção ao assento coreto da cobertura.
9. Enrosque o punho auxiliar no sentido dos ponteiros do relógio, para dentro da carcaça da serra de cinta.
10. Verificar se a lâmina da serra de cinta assenta correctamente; para o efeito, ligue e desligue a serra de cinta várias vezes por alguns instantes.

## 5.6 Montagem do punho auxiliar

 **CUIDADO**

**Risco de ferimentos** Perda de controlo sobre a serra de cinta.

- ▶ Utilize o produto apenas com o punho auxiliar. Enrosque o punho auxiliar no respectivo orifício roscado na carcaça.

- ▶ Monte o punho auxiliar.

## 5.7 Substituir o anel vedante

1. Retire a bateria. → Página 41
2. Solte os 2 parafusos da cobertura da lâmina da serra e retire-os.
3. Desenrosque o punho auxiliar no sentido contrário ao dos ponteiros do relógio, para fora da carcaça da serra de cinta.
4. Vire a alavanca 180 ° no sentido de rotação, até ao batente.



Para o accionamento da alavanca é necessário que o punho auxiliar esteja desmontado.

5. Retire a lâmina da serra de cinta.
6. Verifique as ranhuras guia em relação a sujidade e, se necessário, limpe-as.
7. Retire o anel vedante.
8. Fixe o novo anel vedante no rolo para lâmina de serra de cinta.
9. Insira o anel vedante por completo nas ranhuras guia.
  - ▶ O anel vedante fecha com as ranhuras guia.
  - ▶ O anel vedante não fecha com as ranhuras guia.
    - ▶ Alinhe o anel vedante.
10. Insira a lâmina da serra de cinta sucessivamente nas guias da lâmina de serra. O lado de trás da lâmina de serra deverá tocar os apoios na parte inferior das guias da lâmina de serra.
11. Conduza a lâmina da serra de cinta sucessivamente em torno dos dois rolos.
12. Vire a alavanca 180 ° no sentido de rotação, até ao batente.
13. Verificar se a lâmina da serra de cinta está correctamente conduzida em torno dos dois rolos.
14. Volte a aplicar a cobertura da lâmina de serra.
  - ▶ Nessa ocasião, preste atenção ao assento coreto da cobertura.
15. Enrosque o punho auxiliar no sentido dos ponteiros do relógio, para dentro da carcaça da serra de cinta.





16. Verificar se a lâmina da serra de cinta assenta correctamente; para o efeito, ligue e desligue a serra de cinta várias vezes por alguns instantes.

## 5.8 Ligar

1. Accione o dispositivo de bloqueio.
2. Pressione o interruptor on/off.



Por motivos de segurança não é possível travar o interruptor on/off, este tem de ser mantido constantemente pressionado durante o funcionamento.

## 5.9 Desligar



### AVISO

**Risco de ferimentos** devido a serra ainda em movimento.

- ▶ Levante o produto da peça a trabalhar somente quando a lâmina estiver parada.
  - ▶ Aguarde até que o produto esteja parado, antes de o pousar.
- 
- ▶ Solte o interruptor on/off.

## 5.10 Orientação da peça a trabalhar

- ▶ Oriente a peça a trabalhar e a serra de cinta uma para a outra.



Uma orientação errada aumenta o perigo de contragolpes.

# 6 Conservação, manutenção, transporte e armazenamento

## 6.1 Conservação e manutenção



### AVISO

**Risco de lesão com a bateria encaixada !**

- ▶ Retire sempre a bateria antes de todos os trabalhos de conservação e manutenção!

### Conservação do aparelho

- Remover sujidade aderente com cuidado.
- Limpe as saídas de ar cuidadosamente com uma escova seca.
- Limpar a carcaça apenas com um pano ligeiramente humedecido. Não utilizar produtos de conservação que contenham silicone, uma vez que estes poderiam danificar os componentes de plástico.

### Conservação das baterias de iões de lítio

- Manter a bateria limpa e isenta de óleo e gordura.
- Limpar a carcaça apenas com um pano ligeiramente humedecido. Não utilizar produtos de conservação que contenham silicone, uma vez que estes poderiam danificar os componentes de plástico.
- Evitar a entrada de humidade.

### Manutenção

- Verificar, regularmente, todos os componentes visíveis quanto a danos e os comandos operativos quanto a funcionamento perfeito.
- Em caso de danos e/ou perturbações de funcionamento, não operar o produto. Mandar reparar de imediato pelo Centro de Assistência Técnica **Hilti**.
- Após os trabalhos de conservação e manutenção, aplicar todos os dispositivos de protecção e verificar o respectivo funcionamento.



Para um funcionamento seguro, utilize apenas peças sobresselentes e consumíveis originais. Poderá encontrar peças sobresselentes, consumíveis e acessórios aprovados por nós para o seu produto no seu **Hilti Store** ou em: **www.hilti.group**.



## 6.2 Transporte e armazenamento de ferramentas de baterias recarregáveis

### Transporte

#### CUIDADO

#### Arranque inadvertido durante o transporte !

- ▶ Transporte os seus produtos sempre sem as baterias colocadas!

---

- ▶ Retirar as baterias.
- ▶ Nunca transportar as baterias em embalagem solta.
- ▶ Após transporte prolongado, verificar a ferramenta e as baterias quanto a danos, antes da utilização.

### Armazenamento

#### CUIDADO

#### Dano acidental devido a baterias com defeito ou a perderem líquido !

- ▶ Armazene os seus produtos sempre sem as baterias colocadas!

---

- ▶ Armazenar a ferramenta e as baterias em local o mais fresco e seco possível.
- ▶ Nunca armazenar as baterias em locais onde fiquem sujeitas à exposição solar, em cima de radiadores ou por trás de um vidro.
- ▶ Armazenar a ferramenta e as baterias fora do alcance de crianças e pessoas não autorizadas.
- ▶ Após armazenamento prolongado, verificar a ferramenta e as baterias quanto a danos, antes da utilização.

## 7 Ajuda em caso de avarias

No caso de avarias que não sejam mencionadas nesta tabela ou se não conseguir resolvê-las por si mesmo, contacte o nosso Centro de Assistência Técnica **Hilti**.

### 7.1 A serra de cinta não está pronta a funcionar

Avaria	Causa possível	Solução
Os LEDs não indicam nada.	A bateria não está completamente encaixada.	▶ Encaixe a bateria com um duplo clique.
	A bateria está descarregada.	▶ Carregue a bateria.
	Dispositivo de bloqueio não accionado.	▶ Accione o dispositivo de bloqueio.
1 LED pisca.	Bateria descarregada.	▶ Substitua a bateria e carregue a bateria descarregada.
	Bateria demasiado quente ou demasiado fria.	▶ Deixe que a bateria atinja a temperatura de funcionamento recomendada.
4 LEDs piscam.	Serra de cinta temporariamente sobrecarregada.	▶ Largue o interruptor on/off e volte a accioná-lo.
	Serra de cinta demasiado quente.	▶ Deixe a serra de cinta arrefecer.
	A ferramenta encrava	▶ Verifique se a lâmina de serra foi montada correctamente e/ou danificada.


### 7.2 A serra de cinta está pronta a funcionar

Avaria	Causa possível	Solução
Frac performance da ferramenta.	O interruptor on/off não foi totalmente pressionado.	▶ Pressione completamente o interruptor on/off.
	Bateria descarregada.	▶ Substitua a bateria e carregue a bateria descarregada.



## 8 Reciclagem

---

 As ferramentas **Hilti** são, em grande parte, fabricadas com materiais recicláveis. Um pré-requisito para a reciclagem é que esses materiais sejam devidamente separados. Em muitos países, a **Hilti** aceita a sua ferramenta usada para reutilização. Para mais informações dirija-se ao Serviço de Clientes **Hilti** ou ao seu vendedor.

### Remover baterias

Uma reciclagem incorrecta de baterias pode representar perigo para a saúde devido à fuga de gases ou líquidos.

- ▶ Não envie quaisquer baterias danificadas!
- ▶ Para evitar curto-circuitos, cubra as conexões com um material não condutor.
- ▶ Elimine as baterias de modo a mantê-las longe do alcance das crianças.
- ▶ Efectue a reciclagem da bateria na sua **Hilti Store** ou entre em contacto com a empresa de recolha de lixo responsável.



- ▶ Não deite as ferramentas eléctricas, aparelhos electrónicos e baterias no lixo doméstico!
- 

## 9 Garantia do fabricante

---

- ▶ Em caso de dúvidas quanto às condições de garantia, contacte o seu parceiro **Hilti** local.





This Product is Certified  
Ce produit est homologué  
Producto homologado por  
Este producto está registrado









Hilti Corporation  
LI-9494 Schaan  
Tel.:+423 234 21 11  
Fax:+423 234 29 65  
[www.hilti.com](http://www.hilti.com)



2145464