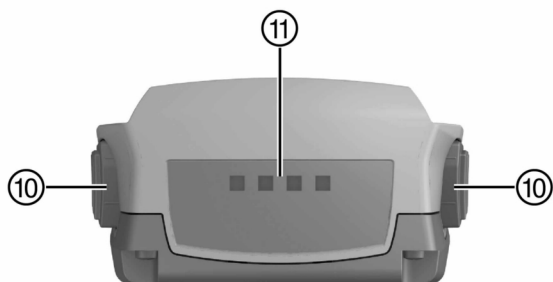
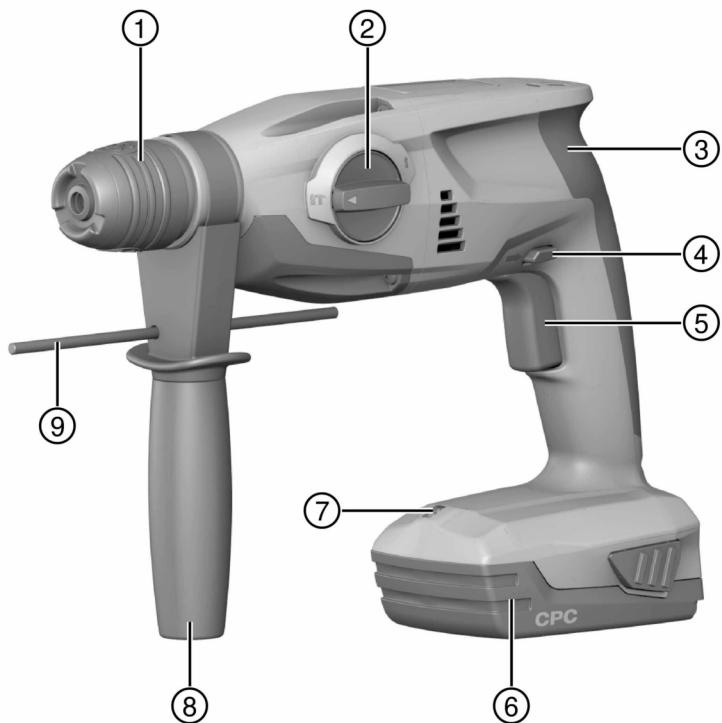




TE 2-A22

English	1
Français	11
Español	21
Português	32



This Product is Certified  
Ce produit est homologué  
Producto homologado por  
Este produto está registrado



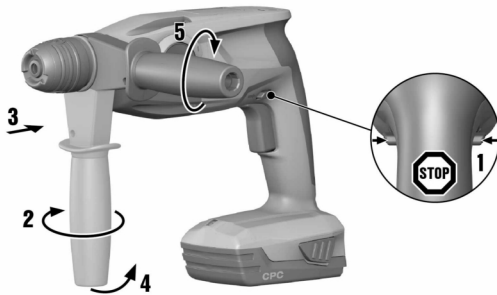
2



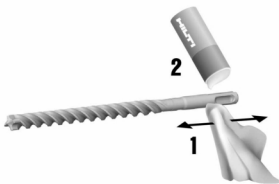
3



4



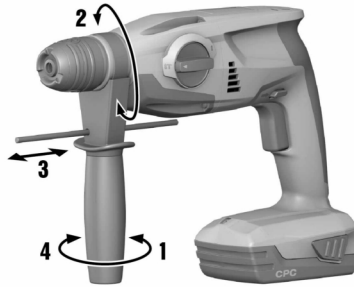
5



6



7



8



# TE 2-A22

en	Original operating instructions . . . . .	1
fr	Mode d'emploi original . . . . .	11
es	Manual de instrucciones original . . . . .	21
pt	Manual de instruções original . . . . .	32



# Original operating instructions

## 1 Information about the operating instructions

### 1.1 About these operating instructions

- Read these operating instructions before the product is used or operated for the first time. This is a prerequisite for safe, trouble-free handling and use of the product.
- Observe the safety instructions and warnings in these operating instructions and on the product.
- Always keep the operating instructions with the product and make sure that the product is accompanied by these operating instructions only, when the product is given to other persons.

### 1.2 Explanation of symbols

#### 1.2.1 Warnings

Warnings alert persons to hazards that occur when handling or using the product. The following signal words are used:

#### **DANGER**

##### **DANGER !**

- ▶ Draws attention to imminent danger that will lead to serious personal injury or fatality.

#### **WARNING**

##### **WARNING !**

- ▶ Draws attention to a potential threat of danger that can lead to serious injury or fatality.






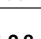
#### **CAUTION**

##### **CAUTION !**

- ▶ Draws attention to a potentially dangerous situation that could lead to personal injury or damage to the equipment or other property.




#### 1.2.2 Symbols in the operating instructions

The following symbols are used in these operating instructions:

	Comply with the operating instructions
	Instructions for use and other useful information
	Dealing with recyclable materials
	Do not dispose of electric equipment and batteries as household waste
	<b>Hilti</b> Li-ion battery
	<b>Hilti</b> charger

#### 1.2.3 Symbols in illustrations

The following symbols are used in illustrations:

	These numbers refer to the illustrations at the beginning of these operating instructions.
3	The numbers in illustrations refer to important work steps or to components important for the work steps. In the text, the corresponding numbers draw attention to these work steps or components, e.g. <b>(3)</b> .
	Item reference numbers are used in the <b>overview illustration</b> and refer to the numbers used in the key in the <b>product overview</b> section.
	This symbol is intended to draw your special attention to certain points for handling the product.



### 1.3 Product-dependent symbols

#### 1.3.1 Symbols on the product

The following symbols can be used on the product:

	Drilling without hammer action
	Drilling with hammering action (hammer drilling)
	Forward / reverse
$n_0$	Rated speed under no load
/min	Revolutions per minute
	Direct current (DC)
Li-ion	Li-ion battery
	<b>Hilti Li-ion battery type series used. Observe the information given in the section headed <b>Intended use</b>.</b>
	Never use the battery as a striking tool.
	Do not drop the battery. Never use a battery that has suffered an impact or is damaged in any other way.
	The power tool supports near-field communication (NFC) technology, which is compatible with iOS and Android platforms.

### 1.4 Product information

products are designed for professional users and only trained, authorized personnel are permitted to operate, service and maintain the products. This personnel must be specifically informed about the possible hazards. The product and its ancillary equipment can present hazards if used incorrectly by untrained personnel or if used not in accordance with the intended use.

The type designation and serial number are printed on the rating plate.

- ▶ Write down the serial number in the table below. You will be required to state the product details when contacting Hilti Service or your local Hilti organization to inquire about the product.

#### Product information

Type:	TE 2-A22
Generation:	02
Serial no.:	

## 2 Safety

### 2.1 General power tool safety warnings

**⚠ WARNING Read all safety warnings, instructions, illustrations and specifications provided with this power tool.** Failure to follow all instructions listed below may result in electric shock, fire and/or serious injury. **Save all warnings and instructions for future reference.**

The term "power tool" in the warnings refers to your mains-operated (corded) power tool or battery-operated (cordless) power tool.

#### Work area safety

- ▶ **Keep work area clean and well lit.** Cluttered or dark areas invite accidents.
- ▶ **Do not operate power tools in explosive atmospheres, such as in the presence of flammable liquids, gases or dust.** Power tools create sparks which may ignite the dust or fumes.
- ▶ **Keep children and bystanders away while operating a power tool.** Distractions can cause you to lose control.





### Electrical safety

- ▶ **Power tool plugs must match the outlet. Never modify the plug in any way. Do not use any adapter plugs with earthed (grounded) power tools.** Unmodified plugs and matching outlets will reduce risk of electric shock.
- ▶ **Avoid body contact with earthed or grounded surfaces, such as pipes, radiators, ranges and refrigerators.** There is an increased risk of electric shock if your body is earthed or grounded.
- ▶ **Do not expose power tools to rain or wet conditions.** Water entering a power tool will increase the risk of electric shock.
- ▶ **Do not abuse the cord. Never use the cord for carrying, pulling or unplugging the power tool. Keep cord away from heat, oil, sharp edges or moving parts.** Damaged or entangled cords increase the risk of electric shock.
- ▶ **When operating a power tool outdoors, use an extension cord suitable for outdoor use.** Use of a cord suitable for outdoor use reduces the risk of electric shock.
- ▶ **If operating a power tool in a damp location is unavoidable, use a residual current device (RCD) protected supply.** Use of an RCD reduces the risk of electric shock.

### Personal safety

- ▶ **Stay alert, watch what you are doing and use common sense when operating a power tool. Do not use a power tool while you are tired or under the influence of drugs, alcohol or medication.** A moment of inattention while operating power tools may result in serious personal injury.
- ▶ **Use personal protective equipment. Always wear eye protection.** Protective equipment such as a dust mask, non-skid safety shoes, hard hat or hearing protection used for appropriate conditions will reduce personal injuries.
- ▶ **Prevent unintentional starting. Ensure the switch is in the off-position before connecting to power source and/or battery pack, picking up or carrying the tool.** Carrying power tools with your finger on the switch or energising power tools that have the switch on invites accidents.
- ▶ **Remove any adjusting key or wrench before turning the power tool on.** A wrench or a key left attached to a rotating part of the power tool may result in personal injury.
- ▶ **Do not overreach. Keep proper footing and balance at all times.** This enables better control of the power tool in unexpected situations.
- ▶ **Dress properly. Do not wear loose clothing or jewellery. Keep your hair and clothing away from moving parts.** Loose clothes, jewellery or long hair can be caught in moving parts.
- ▶ **If devices are provided for the connection of dust extraction and collection facilities, ensure these are connected and properly used.** Use of dust collection can reduce dust-related hazards.
- ▶ **Do not let familiarity gained from frequent use of tools allow you to become complacent and ignore tool safety principles.** A careless action can cause severe injury within a fraction of a second.

### Power tool use and care

- ▶ **Do not force the power tool. Use the correct power tool for your application.** The correct power tool will do the job better and safer at the rate for which it was designed.
- ▶ **Do not use the power tool if the switch does not turn it on and off.** Any power tool that cannot be controlled with the switch is dangerous and must be repaired.
- ▶ **Disconnect the plug from the power source and/or remove the battery pack, if detachable, from the power tool before making any adjustments, changing accessories, or storing power tools.** Such preventive safety measures reduce the risk of starting the power tool accidentally.
- ▶ **Store idle power tools out of the reach of children and do not allow persons unfamiliar with the power tool or these instructions to operate the power tool.** Power tools are dangerous in the hands of untrained users.
- ▶ **Maintain power tools and accessories. Check for misalignment or binding of moving parts, breakage of parts and any other condition that may affect the power tool's operation. If damaged, have the power tool repaired before use.** Many accidents are caused by poorly maintained power tools.
- ▶ **Keep cutting tools sharp and clean.** Properly maintained cutting tools with sharp cutting edges are less likely to bind and are easier to control.
- ▶ **Use the power tool, accessories and tool bits etc. in accordance with these instructions, taking into account the working conditions and the work to be performed.** Use of the power tool for operations different from those intended could result in a hazardous situation.
- ▶ **Keep handles and grasping surfaces dry, clean and free from oil and grease.** Slippery handles and grasping surfaces do not allow for safe handling and control of the tool in unexpected situations.



**Battery tool use and care**

- ▶ **Recharge only with the charger specified by the manufacturer.** A charger that is suitable for one type of battery pack may create a risk of fire when used with another battery pack.
- ▶ **Use power tools only with specifically designated battery packs.** Use of any other battery packs may create a risk of injury and fire.
- ▶ **When battery pack is not in use, keep it away from other metal objects, like paper clips, coins, keys, nails, screws or other small metal objects, that can make a connection from one terminal to another.** Shorting the battery terminals together may cause burns or a fire.
- ▶ **Under abusive conditions, liquid may be ejected from the battery; avoid contact. If contact accidentally occurs, flush with water. If liquid contacts eyes, additionally seek medical help.** Liquid ejected from the battery may cause irritation or burns.
- ▶ **Do not use a battery pack or tool that is damaged or modified.** Damaged or modified batteries may exhibit unpredictable behaviour resulting in fire, explosion or risk of injury.
- ▶ **Do not expose a battery pack or tool to fire or excessive temperature.** Exposure to fire or temperature above 130° C (265 °F) may cause explosion.
- ▶ **Follow all charging instructions and do not charge the battery pack or tool outside the temperature range specified in the instructions.** Charging improperly or at temperatures outside the specified range may damage the battery and increase the risk of fire.

**Service**

- ▶ **Have your power tool serviced by a qualified repair person using only identical replacement parts.** This will ensure that the safety of the power tool is maintained.
- ▶ **Never service damaged battery packs.** Service of battery packs should only be performed by the manufacturer or authorized service providers.

**2.2 Hammer safety warnings****Safety instructions for all operations**

- ▶ **Wear ear protectors.** Exposure to noise can cause hearing loss.
- ▶ **Use auxiliary handle(s), if supplied with the tool.** Loss of control can cause personal injury.
- ▶ **Hold the power tool by insulated gripping surfaces, when performing an operation where the cutting accessory may contact hidden wiring.** Cutting accessory contacting a "live" wire may make exposed metal parts of the power tool "live" and could give the operator an electric shock.

**Safety instructions when using long drill bits with rotary hammers**

- ▶ **Always start drilling at low speed and with the bit tip in contact with the workpiece.** At higher speeds, the bit is likely to bend if allowed to rotate freely without contacting the workpiece, resulting in personal injury.
- ▶ **Apply pressure only in direct line with the bit and do not apply excessive pressure.** Bits can bend causing breakage or loss of control, resulting in personal injury.

**2.3 Additional safety instructions for rotary hammer drill****Personal safety**

- ▶ Use the product and accessories only when they are in perfect working order.
- ▶ Never tamper with or modify the product or accessories in any way.
- ▶ Use auxiliary handles supplied with the product. Loss of control can cause personal injury.
- ▶ Apply appropriate safety measures at the opposite side of the workpiece in work that involves breaking through. Parts breaking away could fall out and / or fall down causing injury to other persons.
- ▶ Always hold the tool with both hands on the grips provided. Keep the grips clean and dry.
- ▶ Hold the product by the insulated gripping surfaces when performing work in which the accessory tool might come into contact with concealed wiring. If the accessory tool comes into contact with a live wire, metal parts of the power tool can also become live, resulting in an electric shock.
- ▶ Do not touch rotating parts – risk of injury!
- ▶ Wear eye protection, a hard hat and ear protection and suitable respiratory protection while the product is in use.
- ▶ Wear protective gloves when changing the accessory tool. Touching the accessory tool can result in cuts and burns.
- ▶ Wear eye protection. Flying fragments can injure the body and eyes.



- ▶ Dust produced by grinding, sanding, cutting and drilling can contain dangerous chemicals. Some examples are: lead or lead-based paints; brick, concrete and other masonry products, natural stone and other products containing silicates; certain types of wood, such as oak, beech and chemically treated wood; asbestos or materials that contain asbestos. Determine the exposure of the operator and bystanders by means of the hazard classification of the materials to be worked. Implement the necessary measures to restrict exposure to a safe level, for example by the use of a dust collection system or by the wearing of suitable respiratory protection. The general measures for reducing exposure include:
  - ▶ working in an area that is well ventilated,
  - ▶ avoidance of prolonged contact with dust,
  - ▶ directing dust away from the face and body,
  - ▶ wearing protective clothing and washing exposed areas of the skin with water and soap.
- ▶ Take frequent breaks and do physical exercises to improve the blood circulation in your fingers. High vibration during long periods of work can lead to disorders of the blood vessels and nervous system in the fingers, hands and wrists.

### Electrical safety

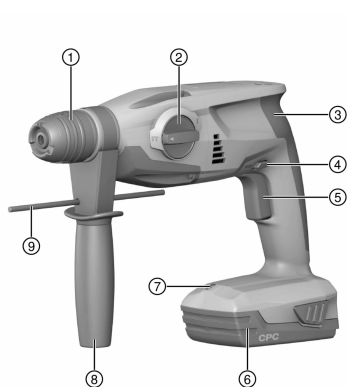
- ▶ Before beginning work, check the working area for concealed electric cables or gas and water pipes. External metal parts of the product could give you an electric shock or cause an explosion if you accidentally damage an electric cable or a gas or water pipe.

### Power tool use and care

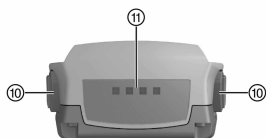
- ▶ Switch the product off immediately if the accessory tool jams. The product might twist off-line.
- ▶ Wait until the product has come to a complete stop before you lay it down.

## 3 Description

### 3.1 Parts, operating controls and indicators



- ① chuck
- ② Function selector switch
- ③ Forward / reverse switch
- ④ Control switch
- ⑤ Battery release buttons
- ⑥ Battery
- ⑦ Grip
- ⑧ Side handle
- ⑨ LED
- ⑩ Depth gauge



This Product is Certified  
 Ce produs este homologat  
 Producto homologado por  
 Este producto está registrado



### 3.2 Intended use

The product described is a battery-powered rotary hammer. It is designed for hammer drilling in concrete and masonry, for drilling in steel, wood and masonry and for driving and removing screws.



- Use only **Hilti** lithium-ion batteries of the B 22 series with this product.
- Use only **Hilti**-approved battery chargers to charge these batteries. More information is available from your **Hilti Store** or from [www.hilti.group](http://www.hilti.group)

### 3.3 Lithium-ion battery status display

When the lithium-ion battery is used the charge status can be displayed by tapping one of the battery release buttons.

Status	Meaning
4 LEDs light.	Charge status: 75 % to 100 %
3 LEDs light.	Charge status: 50 % to 75 %
2 LEDs light.	Charge status: 25 % to 50 %
1 LED lights.	Charge status: 10 % to 25 %
1 LED blinks.	Charge status: < 10 %

Indication of the charge status is not possible while the power tool is in operation or immediately after operation. If the battery charge status LEDs flash, please refer to the information given in the Troubleshooting section.

### 3.4 Items supplied

Rotary hammer, side handle, depth gauge, operating instructions.

The TE DRS-S dust removal module greatly reduces dust emissions and is available as an accessory.

Other system products approved for use with this product can be found at your local **Hilti Store** or at: [www.hilti.group](http://www.hilti.group)

## 4 Technical data

### 4.1 Rotary hammer

	TE 2-A22
Rated voltage	21.6 V
Weight including battery B228.0	7.3 lb (3.3 kg)
Drilling diameter range in concrete/masonry (hammer drilling)	1/8 in ... 5/8 in
Drilling diameter range in metal (solid-head drill bit)	0 in ... 3/8 in
Maximum length of the depth gauge	7 in

### 4.2 Battery

Battery operating voltage	21.6 V
Ambient temperature for operation	1 °F ... 140 °F (-17 °C ... 60 °C)
Storage temperature	-4 °F ... 104 °F (-20 °C ... 40 °C)
Battery charging starting temperature	14 °F ... 113 °F (-10 °C ... 45 °C)

## 5 Operation

### 5.1 Preparations at the workplace

#### WARNING

#### Risk of injury by inadvertent starting!

- ▶ Before inserting the battery, make sure that the product is switched off.
- ▶ Remove the battery before making any adjustments to the power tool or before changing accessories.



Observe the safety instructions and warnings in this documentation and on the product.

### 5.1.1 Fitting the side handle

1. Release the side handle clamping band by turning the handle grip.
2. Slide the side handle clamping band over the chuck from the front and into the recess provided.
3. Bring the side handle into the desired position.
4. Tighten the side handle clamping band by turning the handle grip.

### 5.1.2 Inserting the battery

1. Push the battery into the battery interface on the tool until it is heard to engage with a click.
2. Check that the battery is seated securely.

### 5.1.3 Removing the battery

1. Press the release buttons on the battery.
2. Pull the battery out toward the rear.

### 5.1.4 Fitting the accessory tool

1. Apply a little grease to the connection end of the accessory tool.
  - ▶ Use only the recommended grease supplied by Hilti. Use of the wrong grease can result in damage to the tool.
2. Push the accessory tool into the chuck as far as it will go (until it engages).
3. After fitting the accessory tool, grip it and pull it in order to check that it is securely engaged.
  - ▶ The product is ready for use.

### 5.1.5 Removing the accessory tool

#### CAUTION

**Risk of injury by the accessory tool!** The accessory tool might be hot or have sharp edges.

- ▶ Wear protective gloves when changing the accessory tool.

---

- ▶ Pull the tool lock back as far as it will go and remove the accessory tool.

### 5.1.6 Fitting the depth gauge (optional)

1. Release the side handle clamping band by turning the handle grip.
2. Slide the depth gauge from the front into the 2 guide holes provided.
3. Tighten the side handle clamping band by turning the handle grip.

## 5.2 Types of work

#### CAUTION

**Risk of damage by incorrect handling!**

- ▶ Do not operate the switches for direction of rotation and/or function selection during operation.

---

Observe the safety instructions and warnings in this documentation and on the product.

### 5.2.1 Lighting in the workplace



The LED is activated automatically when the control switch is pressed. The LED goes out slowly after the control switch is released.

---

- ▶ Press the control switch.

### 5.2.2 Direction of rotation

- ▶ Set the direction of rotation.
  - ▶ The selector switch engages in this position.

### 5.2.3 Drilling without hammering

- ▶ Set the function selector switch to this symbol: .



## 5.2.4 Hammer drilling

- ▶ Set the function selector switch to this symbol: .

# 6 Care and maintenance

---

## 6.1 Care and maintenance

### WARNING

#### Risk of injury with battery inserted !

- ▶ Always remove the battery before carrying out care and maintenance tasks!
- 

#### Care of the product

- Carefully remove stubborn dirt.
- Carefully clean the air vents, if present, with a dry, soft brush.
- Use only a slightly damp cloth to clean the housing. Do not use cleaning agents containing silicone as these can attack the plastic parts.
- Use a dry, clean cloth to clean the contacts of the product.

#### Care of the Li-ion batteries

- Never use a battery with clogged air vents. Clean the air vents carefully using a dry, soft brush.
- Avoid unnecessary exposure of the battery to dust and dirt. Never expose the battery to high levels of moisture (e.g. by being dipped in water or left in the rain).  
If a battery has been soaked by moisture, treat it as a damaged battery. Isolate it in a non-flammable container and consult **Hilti Service**.
- Keep the battery free of extraneous oil and grease. Do not permit dust or dirt to accumulate unnecessarily on the battery. Clean the battery with a dry, soft brush or a clean, dry cloth. Do not use cleaning agents containing silicone as these can attack the plastic parts.  
Do not touch the contacts of the battery and do not remove the factory-applied grease from the contacts.
- Use only a slightly damp cloth to clean the housing. Do not use cleaning agents containing silicone as these can attack the plastic parts.

#### Maintenance

- Check all visible parts and controls for signs of damage at regular intervals and make sure that they all function correctly.
- Do not use the product if signs of damage are found or if parts malfunction. Immediately have the product repaired by **Hilti Service**.
- After cleaning and maintenance, install all guards and protective devices and check that they are in full working order.



To help ensure safe and reliable operation, use only genuine Hilti spare parts and consumables. Spare parts, consumables and accessories approved by **Hilti** for use with your product can be found at your **Hilti Store** or online at: [www.hilti.group](http://www.hilti.group)

---

## 6.2 Cleaning the dust shield

- ▶ Clean the dust shield on the chuck with a dry, clean cloth at regular intervals.
- ▶ Clean the sealing lip by wiping it carefully and then grease it again lightly with **Hilti** grease.
- ▶ It is essential that the dust shield is replaced if the sealing lip is damaged.

# 7 Transport and storage

---

## 7.1 Transport and storage of cordless tools and batteries

### Transport

### CAUTION

#### Accidental starting during transport !

- ▶ Always transport your products with the batteries removed!
- 
- ▶ Remove the battery/batteries.
  - ▶ Never transport batteries loose and unprotected. During transport, batteries should be protected from excessive shock and vibration and isolated from any conductive materials or other batteries that may



come in contact with the terminals and cause a short circuit. **Comply with the locally applicable regulations for transporting batteries.**

- ▶ Do not send batteries through the mail. Consult your shipper for instructions on how to ship undamaged batteries.
- ▶ Prior to each use and before and after prolonged transport, check the product and the batteries for damage.

### Storage

#### **WARNING**

#### **Accidental damage caused by defective or leaking batteries !**

- ▶ Always store your products with the batteries removed!
- 
- ▶ Store the product and the batteries in a cool and dry place. Comply with the temperature limits stated in the technical data.
  - ▶ Do not store batteries on the charger. Always remove the battery from the charger when the charging operation has completed.
  - ▶ Never leave batteries in direct sunlight, on sources of heat, or behind glass.
  - ▶ Store the product and batteries where they cannot be accessed by children or unauthorized persons.
  - ▶ Prior to each use and before and after prolonged storage, check the product and the batteries for damage.

## 8 Troubleshooting

### 8.1 Troubleshooting

If the trouble you are experiencing is not listed in this table or you are unable to remedy the problem by yourself, please contact **Hilti Service**.

### 8.2 The rotary hammer is not in working order

Trouble or fault	Possible cause	Action to be taken
The rotary hammer doesn't start.	The rotary hammer has been over-loaded.	▶ Switch off the rotary hammer, remove the battery and do not continue to use the rotary hammer.
The LEDs indicate nothing.	The battery is not fully inserted.	▶ Push the battery in until it engages with a double click.
	Battery is discharged.	▶ Change the battery and charge the empty battery.
	The battery is too hot or too cold.	▶ Bring the battery to the recommended working temperature.
1 LED blinks.	Battery is discharged.	▶ Change the battery and charge the empty battery.
	The battery is too hot or too cold.	▶ Bring the battery to the recommended working temperature.
4 LEDs blink.	The rotary hammer has been over-loaded briefly.	▶ Release the control switch and then press it again.
	The overheating prevention cut-out has been activated.	▶ Allow the rotary hammer to cool down and clean the air vents.



### 8.3 The rotary hammer is in working order

Trouble or fault	Possible cause	Action to be taken
No hammering action.	The rotary hammer is too cold.	▶ Bring the tip of the drill bit into contact with the working surface, switch the rotary hammer on and allow it to run. If necessary, repeat the procedure until the hammering mechanism begins to operate.
	The function selector switch is set to "Drilling without hammering"  .	▶ Set the function selector switch to "Hammer drilling" <b>T</b> .
The control switch can't be pressed, i.e. the switch is locked.	The forward / reverse switch is in the middle position.	▶ Push the forward / reverse switch to the right or left.
The drive spindle does not rotate.	The permissible operating temperature of the rotary hammer's electronics has been exceeded.	▶ Allow the rotary hammer to cool down.
	Battery is discharged.	▶ Change the battery and charge the empty battery.
The rotary hammer switches itself off automatically.	The overload cut-out has been activated.	▶ Release the control switch. Allow the rotary hammer to cool down. Press the control switch again. Reduce the load on the tool.
The battery runs down more quickly than usual.	Battery condition is not optimal.	▶ Replace the battery.
The battery does not engage with an audible "double click".	The retaining lugs on the battery are dirty.	▶ Clean the retaining lugs and refit the battery.
The rotary hammer or the battery gets very hot.	Electrical fault	▶ Switch off the rotary hammer immediately. Remove the battery and keep it under observation. Allow it to cool down. Contact <b>Hilti</b> service.
	The rotary hammer has been overloaded (application limit exceeded).	▶ Select a tool that is suitable for its intended use.
The insert tool can't be released.	The chuck is not pulled back fully.	▶ Pull the chuck back as far as it will go and remove the tool.
The tool makes no progress.	The rotary hammer has been set to reverse rotation.	▶ Move the forward / reverse selector switch to the "Forward" position.

## 9 Disposal

Most of the materials from which **Hilti** tools and appliances are manufactured can be recycled. The materials must be correctly separated before they can be recycled. In many countries, your old tools, machines or appliances can be returned to **Hilti** for recycling. Ask **Hilti** Service or your Hilti representative for further information.



- ▶ Do not dispose of power tools, electronic equipment or batteries as household waste!

## 10 Manufacturer's warranty

- ▶ Please contact your local **Hilti** representative if you have questions about the warranty conditions.





# Mode d'emploi original

## 1 Indications relatives au mode d'emploi

### 1.1 À propos de ce mode d'emploi

- Avant de mettre l'appareil en marche, lire impérativement ce mode d'emploi. C'est la condition préalablement requise pour assurer la sécurité du travail et un maniement sans perturbations.
- Bien respecter les consignes de sécurité et les avertissements du présent mode d'emploi ainsi que celles figurant sur le produit.
- Toujours conserver le mode d'emploi à proximité du produit et uniquement transmettre le produit à des tiers accompagné de ce mode d'emploi.

### 1.2 Explication des symboles

#### 1.2.1 Avertissements

Les avertissements attirent l'attention sur des dangers liés à l'utilisation du produit. Les termes de signalisation suivants sont utilisés :

**DANGER**

**DANGER !**

- ▶ Pour un danger imminent qui peut entraîner de graves blessures corporelles ou la mort.

**AVERTISSEMENT**

**AVERTISSEMENT !**

- ▶ Pour un danger potentiel qui peut entraîner de graves blessures corporelles ou la mort.

**ATTENTION**

**ATTENTION !**

- ▶ Pour une situation potentiellement dangereuse pouvant entraîner des blessures corporelles ou des dégâts matériels.

#### 1.2.2 Symboles dans le manuel d'utilisation

Les symboles suivants sont utilisés dans le présent manuel d'utilisation :

	Respecter le manuel d'utilisation
	Pour des conseils d'utilisation et autres informations utiles
	Maniement des matériaux recyclables
	Ne pas jeter les appareils électriques et les accus dans les ordures ménagères
	<b>Hilti Accu Li-Ion</b>
	<b>Hilti Chargeur</b>

#### 1.2.3 Symboles dans les illustrations

Les symboles suivants sont utilisés dans les illustrations :

	Ces chiffres renvoient à l'illustration correspondante au début du présent manuel d'utilisation.
	La numérotation dans les illustrations indique les étapes de travail importantes ou les composants importants pour les étapes de travail. Dans le texte, ces étapes de travail ou composants sont mis en évidence avec les numéros correspondants, par ex. <b>(3)</b> .
	Les numéros de position sont utilisés dans l'illustration <b>Vue d'ensemble</b> et renvoient aux numéros des légendes dans la section <b>Vue d'ensemble du produit</b> .
	Ce signe doit inviter à manier le produit en faisant particulièrement attention.



### 1.3 Symboles spécifiques au produit

#### 1.3.1 Symboles sur le produit

Les symboles suivants peuvent être utilisés sur le produit :

	Perçage sans percussion
	Perçage avec percussion
	Sens de rotation droite/gauche
$n_0$	Vitesse nominale à vide
/min	Tours par minute
	Courant continu
Li-Ion	Accu lithium-ions
	Série de type d'accu Li-Ion <b>Hilti</b> utilisée. Observer les instructions au chapitre <b>Utilisation conforme à l'usage prévu</b> .
	Ne jamais utiliser l'accu comme outil de percussion.
	Ne pas laisser tomber l'accu. Ne pas utiliser d'accu ayant subi un choc ou d'autres dommages.
	L'appareil prend en charge la technologie NFC qui est compatible avec les plates-formes iOS et Android.

### 1.4 Informations produit

Les produits sont destinés aux professionnels et ne doivent être utilisés, entretenus et réparés que par un personnel autorisé et formé. Ce personnel doit être spécialement instruit quant aux dangers inhérents à l'utilisation de l'appareil. Le produit et ses accessoires peuvent s'avérer dangereux s'ils sont utilisés de manière incorrecte par un personnel non qualifié ou de manière non conforme à l'usage prévu.

La désignation du modèle et le numéro de série figurent sur sa plaque signalétique.

- Inscrivez le numéro de série dans le tableau suivant. Les informations produit vous seront demandées lorsque vous contactez nos revendeurs ou services après-vente.

#### Caractéristiques produit

Type :	TE 2-A22
Génération :	02
N° de série :	

## 2 Sécurité

### 2.1 Indications générales de sécurité pour les appareils électriques

**⚠ AVERTISSEMENT Lire toutes les consignes de sécurité et instructions, illustrations et caractéristiques techniques, qui accompagnent cet outil électroportatif.** Tout manquement à l'observation des instructions suivantes risque de provoquer une électrocution, un incendie et/ou de graves blessures.

**Les consignes de sécurité et instructions doivent être intégralement conservées pour les utilisations futures.**

La notion d'« outil électroportatif » mentionnée dans les consignes de sécurité se rapporte à des outils électriques raccordés au secteur (avec câble d'alimentation) et à des outils électriques sur accu (sans câble d'alimentation).

#### Sécurité sur le lieu de travail

- **Conserver la zone de travail propre et bien éclairée.** Un lieu de travail en désordre ou mal éclairé augmente le risque d'accidents.



- ▶ **Ne pas faire fonctionner les outils électriques en atmosphère explosive et où se trouvent des liquides, des gaz ou poussières inflammables.** Les outils électriques produisent des étincelles qui peuvent enflammer les poussières ou les fumées.
- ▶ **Maintenir les enfants et les personnes présentes à l'écart pendant l'utilisation de l'outil électroportatif.** En cas d'inattention il y a risque de perdre le contrôle de l'appareil.

#### Sécurité relative au système électrique

- ▶ **La fiche de secteur de l'outil électroportatif doit être adaptée à la prise de courant. Ne jamais modifier la fiche de quelque façon que ce soit. Ne pas utiliser d'adaptateurs avec des outils électriques à branchement de terre.** Des fiches non modifiées et des prises de courant adaptées réduiront le risque de choc électrique.
- ▶ **Éviter le contact physique avec des surfaces mises à la terre tels que tuyaux, radiateurs, cuisinières et réfrigérateurs.** Il y a un risque élevé de choc électrique au cas où votre corps serait relié à la terre.
- ▶ **Ne pas exposer les outils électroportatifs à la pluie ou à l'humidité.** La pénétration d'eau à l'intérieur d'un outil électroportatif augmentera le risque d'un choc électrique.
- ▶ **Ne jamais utiliser le câble de raccordement à d'autres fins que celles prévues, telles que pour porter, accrocher ou débrancher l'outil électroportatif de la prise de courant. Maintenir le câble de raccordement à l'écart de la chaleur, des parties grasses, des bords tranchants ou des parties en mouvement.** Des câbles de raccordement endommagés ou emmêlés augmentent le risque de choc électrique.
- ▶ **Si l'outil électroportatif est utilisé à l'extérieur, utiliser uniquement des câbles de rallonge homologués pour les applications extérieures.** L'utilisation d'un câble de rallonge homologué pour les applications extérieures réduit le risque d'un choc électrique.
- ▶ **Si l'utilisation de l'outil électrique dans un environnement humide ne peut pas être évitée, utiliser un interrupteur de protection contre les courants de court-circuit.** L'utilisation d'un tel interrupteur de protection réduit le risque d'une décharge électrique.

#### Sécurité des personnes

- ▶ **Rester vigilant, surveiller ce que l'on fait. Faire preuve de bon sens en utilisant l'outil électroportatif. Ne pas utiliser l'outil électroportatif en étant fatigué ou sous l'emprise de l'alcool, de drogues ou de médicaments.** Un moment d'inattention lors de l'utilisation de l'outil électroportatif peut entraîner des blessures graves.
- ▶ **Utiliser un équipement de protection personnel et toujours porter une protection pour les yeux.** Les équipements de protection personnels tels que masque antipoussière, chaussures de sécurité antidérapantes, casque de protection ou protection acoustique suivant l'utilisation de l'outil électroportatif, réduiront le risque de blessures des personnes.
- ▶ **Éviter une mise en service par mégarde. S'assurer que l'outil électroportatif est arrêté avant de brancher à la source de courant et/ou à l'accu, de le prendre ou de le porter.** Le fait de porter l'outil électroportatif avec le doigt sur l'interrupteur ou de brancher l'appareil sur la source de courant lorsque l'interrupteur est en position de fonctionnement peut entraîner des accidents.
- ▶ **Retirer tout outil de réglage ou toute clé avant de mettre l'outil électroportatif en fonctionnement.** Une clé ou un outil se trouvant sur une partie en rotation peut causer des blessures.
- ▶ **Adopter une bonne posture. Veiller à toujours garder une position stable et équilibrée.** Cela permet un meilleur contrôle de l'outil électroportatif dans des situations inattendues.
- ▶ **S'habiller de manière adaptée. Ne pas porter de vêtements amples ni de bijoux. Garder les cheveux, les vêtements et les gants à distance des parties en mouvement.** Des vêtements amples, des bijoux ou des cheveux longs peuvent être happés par des parties en mouvement.
- ▶ **Si des dispositifs servant à aspirer ou à recueillir les poussières doivent être utilisés, s'assurer qu'ils sont effectivement raccordés et correctement utilisés.** L'utilisation d'un dispositif d'aspiration de la poussière peut réduire les risques dus aux poussières.
- ▶ **Ne pas sous-estimer les mesures de sécurité à prendre et ne pas ignorer sciemment les règles de sécurité applicables aux outils électriques, même si l'on est utilisateur chevronné après de fréquentes utilisations de l'outil électroportatif.** Un manque d'attention peut conduire à de graves blessures en quelques fractions de seconde.

#### Utilisation et maniement de l'outil électroportatif

- ▶ **Ne pas forcer l'appareil. Utiliser l'outil électroportatif adapté au travail à effectuer.** Un outil électroportatif approprié réalisera mieux le travail et de manière plus sûre au régime pour lequel il a été conçu.
- ▶ **Ne pas utiliser d'outil électroportatif dont l'interrupteur est défectueux.** Tout outil électroportatif qui ne peut plus être mis en ou hors fonctionnement est dangereux et doit être réparé.



- ▶ **Débrancher la fiche de la prise de courant et/ou l'accu amovible avant d'effectuer des réglages sur l'appareil, de changer les accessoires, ou de ranger l'appareil.** Cette mesure de précaution empêche une mise en fonctionnement par mégarde de l'outil électroportatif.
- ▶ **Conserver les outils électroportatifs non utilisés hors de portée des enfants. Ne permettre l'utilisation de l'appareil à aucune personne qui ne soit pas familiarisée avec celui-ci ou qui n'a pas lu ces instructions.** Les outils électroportatifs sont dangereux lorsqu'ils sont entre les mains de personnes non initiées.
- ▶ **Prendre soin des outils électroportatifs et des accessoires. Vérifier que les parties en mouvement fonctionnent correctement et qu'elles ne sont pas coincées, et contrôler si des parties sont cassées ou endommagées de sorte que le bon fonctionnement de l'outil électroportatif s'en trouve entravé. Faire réparer les parties endommagées avant d'utiliser l'appareil.** De nombreux accidents sont dus à des outils électroportatifs mal entretenus.
- ▶ **Garder les outils de coupe affûtés et propres.** Des outils destinés à couper correctement entretenus avec des arêtes de coupe tranchantes sont moins susceptibles de bloquer et sont plus faciles à contrôler.
- ▶ **L'outil électroportatif, les accessoires, les outils amovibles, etc. doivent être utilisés conformément à ces instructions. Tenir également compte des conditions de travail et du travail à réaliser.** L'utilisation des outils électroportatifs à d'autres fins que celles prévues peut entraîner des situations dangereuses.
- ▶ **Veiller à ce que les poignées et surfaces de préhension soient toujours être sèches, propres et exemptes de traces de graisse ou d'huile.** Avec des poignées et surfaces de préhension glissantes, la sécurité et le contrôle de l'outil électroportatif ne peuvent être assurés dans des situations inopinées.

#### Utilisation et manieement de l'outil sur accu

- ▶ **Ne charger les accus que dans des chargeurs recommandés par le fabricant.** Si un chargeur approprié à un type spécifique d'accus est utilisé avec des accus non recommandés pour celui-ci, il y a risque d'incendie.
- ▶ **Dans les outils électroportatifs, utiliser uniquement les accus spécialement prévus pour ceux-ci.** L'utilisation de tout autre accu peut entraîner des blessures et des risques d'incendie.
- ▶ **Tenir l'accu non utilisé à l'écart de tous objets métalliques tels qu'agrafes, pièces de monnaie, clés, clous, vis ou autres, étant donné qu'un pontage peut provoquer un court-circuit.** Un court-circuit entre les contacts d'accu peut provoquer des brûlures ou un incendie.
- ▶ **En cas d'utilisation abusive, du liquide peut sortir de l'accu. Éviter tout contact avec ce liquide. En cas de contact par mégarde, rincer soigneusement avec de l'eau. Au cas où le liquide rentrerait dans les yeux, consulter en plus un médecin.** Le liquide qui sort de l'accu peut entraîner des irritations de la peau ou causer des brûlures.
- ▶ **Ne pas utiliser d'accu endommagé ou modifié.** Des accus endommagés ou modifiés peuvent avoir un comportement imprévisible et provoquer un incendie, une explosion ou engendrer un risque de blessures.
- ▶ **Ne jamais exposer l'accu au feu ou à des températures trop élevées.** Le feu ou des températures supérieures à 130 °C (265 °F) peuvent provoquer une explosion.
- ▶ **Suivre toutes les instructions de charge et ne jamais charger l'accu ou l'outil sur accu hors de la plage de températures spécifiée dans le manuel d'utilisation.** Une charge inappropriée ou hors de la plage de températures spécifiée risque d'endommager l'accu et accroître le risque d'incendie.

#### Service

- ▶ **L'outil électroportatif doit uniquement être réparé par un personnel qualifié et seulement avec des pièces de rechange d'origine.** Ceci permet d'assurer la sécurité de l'appareil.
- ▶ **Ne jamais entretenir d'accus endommagés.** Toutes les opérations d'entretien sur des accus doivent exclusivement être réalisées par le fabricant ou un prestataire de service client agréé.

## 2.2 Indications générales de sécurité applicables aux burineurs

### Consignes de sécurité pour tous les travaux

- ▶ **Porter un casque antibruit.** Le bruit peut entraîner des pertes auditives.
- ▶ **Utiliser la poignée supplémentaire livrée avec l'appareil.** La perte de contrôle peut entraîner des blessures.
- ▶ **Tenir l'appareil par les surfaces isolées des poignées lors des travaux pendant lesquels l'outil utilisé risque de toucher des câbles électriques cachés.** Le contact avec un câble sous tension risque de mettre les parties métalliques de l'appareil sous tension et de provoquer une décharge électrique.



### Consignes de sécurité lors de l'utilisation de la mèche longue

- ▶ **Toujours commencer l'opération de perçage à vitesse réduite et alors que la mèche est en contact avec la pièce travaillée.** En cas de vitesse de rotation plus élevée, la mèche risque de se déformer légèrement si elle peut tourner librement sans contact avec la pièce travaillée et entraîner des blessures.
- ▶ **Ne pas exercer de pression excessive et seulement dans le sens longitudinal.** Les mèches peuvent se tordre et donc se casser, ou il peut y avoir perte de contrôle de l'appareil ce qui entraîne un risque de blessures.

## 2.3 Consignes de sécurité supplémentaires spécifiques au perforateur-burieur

### Sécurité des personnes

- ▶ Utiliser le produit et les accessoires uniquement s'ils sont en parfait état.
- ▶ Ne jamais entreprendre de manipulation ni de modification sur le produit ou les accessoires.
- ▶ Utiliser les poignées supplémentaires livrées avec le produit. La perte de contrôle peut entraîner des blessures.
- ▶ Lors de travaux d'ajourage, protéger l'espace du côté opposé aux travaux. Des morceaux de matériaux risquent d'être éjectés et / ou de tomber, et de blesser d'autres personnes.
- ▶ Toujours tenir le produit des deux mains par les poignées prévues à cet effet. Tenir les poignées toujours sèches et propres.
- ▶ Tenir le produit par les surfaces de préhension isolées lors de travaux pendant lesquels l'outil amovible risque de toucher des câbles électriques cachés. Le contact avec un câble sous tension risque de mettre les parties métalliques de l'appareil sous tension et de provoquer une décharge électrique.
- ▶ Éviter de toucher des pièces en rotation – Risque de blessures !
- ▶ Pendant l'utilisation du produit, porter des lunettes de protection, un casque de protection, un casque antibruit et une protection respiratoire appropriée.
- ▶ Porter des gants de protection pour changer d'outil. Risque de blessures par coupure et de brûlures au contact avec l'outil amovible.
- ▶ Porter des lunettes de protection. Les éclats de matière peuvent entraîner des blessures corporelles et aux yeux.
- ▶ La poussière générée par le meulage, le ponçage, le tronçonnage et le forage peut contenir des produits chimiques dangereux. Par exemple : plomb ou peinture à base de plomb ; brique, béton et autres produits de maçonnerie, pierre naturelle et autres produits contenant des silicates ; certains bois, tels que le chêne, le hêtre et le bois traité chimiquement ; amiante ou matériaux contenant de l'amiante. Déterminer l'exposition de l'opérateur et personnes se trouvant dans l'entourage en fonction de la classe de danger des matériaux traités. Prendre les mesures nécessaires pour maintenir l'exposition à un niveau sûr, par exemple en utilisant un système de collecte des poussières ou en portant une protection respiratoire appropriée. Mesures générales visant à réduire l'exposition :
  - ▶ Travailler dans un endroit bien ventilé
  - ▶ Éviter le contact prolongé avec la poussière
  - ▶ Faire en sorte que la poussière soit dirigée loin du visage et du corps
  - ▶ Porter des vêtements de protection et laver les zones exposées à l'eau et au savon
- ▶ Faire régulièrement des pauses et des exercices pour favoriser l'irrigation sanguine dans les doigts. En cas de travaux prolongés, les fortes vibrations peuvent perturber la circulation dans les vaisseaux sanguins ou le système nerveux dans les doigts, les mains ou le poignet.

### Sécurité relative au système électrique

- ▶ Avant d'entamer le travail, vérifier qu'il n'y a pas de câbles ou gaines électriques, tuyaux de gaz ou d'eau cachés dans la zone d'intervention. Les parties métalliques externes du produit peuvent provoquer un choc électrique ou une explosion si vous endommagez une ligne électrique, une conduite de gaz ou une conduite d'eau.

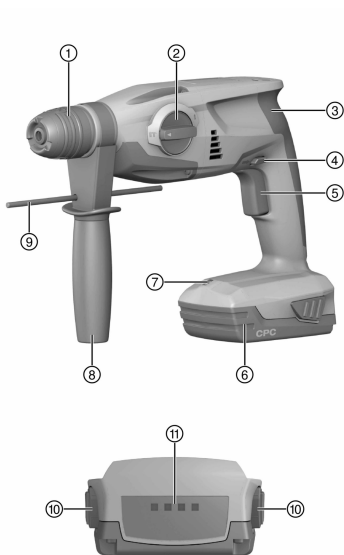
### Utilisation et emploi soigneux de l'outil électroportatif

- ▶ Arrêter immédiatement le produit si l'outil amovible se bloque. Le produit peut dévier latéralement.
- ▶ Attendre l'arrêt complet du produit avant de le déposer.



### 3 Description

#### 3.1 Pièces constitutives de l'appareil, éléments de commande et d'affichage



- ① Mandrin
- ② Sélecteur de fonction
- ③ Inverseur du sens de rotation droite / gauche
- ④ Variateur électronique de vitesse
- ⑤ Boutons de déverrouillage pour accu
- ⑥ Accu
- ⑦ Poignée
- ⑧ Poignée latérale
- ⑨ DEL
- ⑩ Butée de profondeur

This Product is Certified  
 Ce produit est homologué  
 Producto homologado por  
 Este producto está registrado

#### 3.2 Utilisation conforme à l'usage prévu

Le produit décrit est un perceuse-burineuse sur batterie. Il est conçu pour percer avec percussion dans du béton et de la maçonnerie, percer dans de l'acier, du bois ou de la maçonnerie et serrer et desserrer de la visserie.

- Pour ce produit, utiliser exclusivement les accus Li-Ion **Hilti** de la série B 22.
- Pour ces accus, n'utiliser que des chargeurs homologués par **Hilti**. Vous trouverez de plus amples informations dans votre **Hilti Store** ou à l'adresse : [www.hilti.group](http://www.hilti.group)

#### 3.3 Affichage de l'état des accus Li-Ion

Lors de l'utilisation des accus Li-Ion, l'état de charge peut être visualisé en appuyant légèrement sur un des boutons de déverrouillage.

État	Signification
4 LED allumées.	État de charge : 75 % à 100 %
3 LED allumées.	État de charge : 50 % à 75 %
2 LED allumées.	État de charge : 25 % à 50 %
1 LED allumée.	État de charge : 10 % à 25 %
1 LED clignote.	État de charge : < 10 %

Il n'est pas possible d'interroger l'indicateur de l'état de charge pendant et immédiatement après les travaux. Si des LED de l'indicateur de l'état de charge de l'accu clignotent, se reporter au chapitre Dépannage.

#### 3.4 Éléments livrés

Perceuse-burineuse, poignée latérale, butée de profondeur, mode d'emploi.

Le module récupérateur de poussières TE DRS-S proposé en tant qu'accessoire permet de travailler sans poussières.



D'autres produits système pour votre produit peuvent être trouvés dans votre **Hilti Store** ou à l'adresse : [www.hilti.group](http://www.hilti.group)

## 4 Caractéristiques techniques

### 4.1 Perforateur-burineur

	TE 2-A22
Tension de référence	21,6 V
Poids (accu inclus) B228.0	7,3 lb (3,3 kg)
Plage de perçage dans le béton/la brique (perçage avec percussion)	1/8 in ... 5/8 in
Plage de perçage dans le métal (mèche monobloc)	0 in ... 3/8 in
Butée de profondeur de longueur maximale	7 in

### 4.2 Batterie

Tension nominale de l'accu	21,6 V
Température de service en cours de service	1 °F ... 140 °F (-17 °C ... 60 °C)
Température de stockage	-4 °F ... 104 °F (-20 °C ... 40 °C)
Température de l'accu au début de la charge	14 °F ... 113 °F (-10 °C ... 45 °C)

## 5 Utilisation

### 5.1 Préparatifs



#### AVERTISSEMENT

#### Risque de blessures du fait d'une mise en marche inopinée !

- ▶ Avant d'insérer l'accu, s'assurer que le produit correspondant est bien sur arrêt.
- ▶ Retirer le bloc-accu, avant d'effectuer des réglages sur l'appareil ou de changer les accessoires.

Bien respecter les consignes de sécurité et les avertissements de la présente documentation ainsi que celles figurant sur le produit.

#### 5.1.1 Montage de la poignée latérale

1. Tourner le dispositif de serrage (collier de serrage) sur la poignée latérale pour desserrer.
2. Pousser le dispositif de serrage (collier de serrage) vers l'avant sur le porte-outil jusqu'à la rainure prévue à cet effet.
3. Placer la poignée latérale dans la position souhaitée.
4. Tourner le dispositif de serrage (collier de serrage) sur la poignée latérale pour serrer.

#### 5.1.2 Introduction de l'accu

1. Insérer l'accu dans l'appareil jusqu'à ce qu'il s'encliquette avec un clic audible.
2. Vérifier que l'accu est bien en place.

#### 5.1.3 Retrait de l'accu

1. Appuyer sur les boutons de déverrouillage de l'accu.
2. Retirer l'accu vers l'arrière.

#### 5.1.4 Mise en place de l'outil amovible

1. Graisser légèrement l'emmanchement de l'outil amovible.
  - ▶ Utiliser exclusivement de la graisse Hilti d'origine. Une graisse inadéquate peut provoquer des dommages sur l'appareil.



2. Emmancher l'outil amovible à fond dans le porte-outil jusqu'à ce qu'il s'encliquette.
3. Une fois mis en place, vérifier que l'outil est bien serré dans le dispositif de verrouillage en tirant dessus.
  - ▶ Le produit est prêt à fonctionner.

### 5.1.5 Retrait de l'outil amovible

#### ATTENTION

**Risque de blessures entraînées par l'outil amovible !** L'outil amovible peut être brûlant ou présenter des arêtes vives.

- ▶ Porter des gants de protection pour changer d'outil amovible.
- 
- ▶ Retirer le dispositif de verrouillage de l'outil jusqu'à la butée et sortir l'outil amovible.

### 5.1.6 Montage de la butée de profondeur (en option)

1. Tourner le dispositif de serrage (collier de serrage) sur la poignée latérale pour desserrer.
2. Faire glisser la butée de profondeur vers l'avant dans les 2 orifices de guidage prévus à cet effet.
3. Tourner le dispositif de serrage (collier de serrage) sur la poignée latérale pour serrer.

## 5.2 Travail

#### ATTENTION

**Risque d'endommagement du fait d'un mauvais maniement !**

- ▶ Ne pas actionner l'interrupteur de sens de rotation et/ou de sélection de fonction pendant le fonctionnement.
- 

Bien respecter les consignes de sécurité et les avertissements de la présente documentation ainsi que celles figurant sur le produit.

### 5.2.1 Éclairage du champ de travail



La DEL est automatiquement activée lorsque l'interrupteur de commande est actionné. Une fois l'interrupteur de commande relâché, la DEL s'éteint lentement.

---

- ▶ Appuyer sur le variateur électronique de vitesse.

### 5.2.2 Sens de rotation

- ▶ Régler le sens de rotation.
  - ▶ L'interrupteur s'encliquette dans cette position.

### 5.2.3 Perçage sans percussion

- ▶ Tourner le sélecteur de fonction sur ce symbole :

### 5.2.4 Perçage avec percussion

- ▶ Tourner le sélecteur de fonction sur ce symbole :

## 6 Nettoyage et entretien

### 6.1 Nettoyage et entretien

#### AVERTISSEMENT

**Risque de blessures lorsque l'accu est inséré !**

- ▶ Toujours retirer l'accu avant tous travaux de nettoyage et d'entretien !
- 

#### Entretien du produit

- Éliminer avec précaution les saletés récalcitrantes.
- Le cas échéant, nettoyer soigneusement les ouïes d'aération à l'aide d'une brosse sèche et douce.
- Nettoyer le carter de l'appareil uniquement avec un chiffon légèrement humide. Ne pas utiliser de nettoyeurs à base de silicone car ceci pourrait attaquer les pièces en plastique.
- Utiliser un chiffon propre et sec pour nettoyer les contacts du produit.





## Entretien des accus Li-ion

- Ne jamais utiliser un accu dont les ouïes d'aération sont bouchées. Nettoyer soigneusement les ouïes d'aération à l'aide d'une brosse sèche et douce.
- Éviter d'exposer inutilement l'accu à la poussière ou à la saleté. Ne jamais exposer l'accu à une forte humidité (par exemple en l'immergeant dans de l'eau ou en le laissant sous la pluie).  
Si l'accu a été trempé, le traiter comme un accu endommagé. L'isoler dans un récipient ininflammable et s'adresser au S.A.V. **Hilti**.
- Veiller à ce que l'accu soit toujours exempt de traces de graisse et d'huile étrangères. Ne pas laisser de la poussière ou de la saleté s'accumuler inutilement sur l'accu. Nettoyer l'accu avec une brosse sèche et douce ou un chiffon propre et sec. Ne pas utiliser de nettoyeurs à base de silicone car ceci pourrait attaquer les pièces en plastique.  
Ne pas toucher les contacts de l'accu et ne pas enlever la graisse appliquée en usine sur les contacts.
- Nettoyer le carter de l'appareil uniquement avec un chiffon légèrement humide. Ne pas utiliser de nettoyeurs à base de silicone car ceci pourrait attaquer les pièces en plastique.

## Entretien

- Vérifier régulièrement qu'aucune pièce visible n'est endommagée et que les organes de commande sont parfaitement opérationnels.
- Ne pas utiliser le produit en cas d'endommagements et/ou de dysfonctionnements. Faire immédiatement réparer le produit par le S.A.V. **Hilti**.
- Après des travaux de nettoyage et d'entretien, vérifier si tous les équipements de protection sont bien en place et fonctionnent parfaitement.



Pour une utilisation en toute sécurité, utiliser uniquement des pièces de rechange et consommables d'origine. Vous trouverez les pièces de rechange, consommables et accessoires autorisés par **Hilti** convenant pour votre produit dans le centre **Hilti Store** ou sous : [www.hilti.group](http://www.hilti.group)

## 6.2 Nettoyage de la protection anti-poussière

- ▶ Nettoyer régulièrement la protection anti-poussière au niveau du mandrin au moyen d'un chiffon propre et sec.
- ▶ Essuyer la lèvres d'étanchéité avec précaution et la graisser à nouveau légèrement avec de la graisse **Hilti**.
- ▶ Si la lèvres d'étanchéité est endommagée, remplacer impérativement la protection anti-poussière.

## 7 Transport et stockage

### 7.1 Transport et stockage des outils sur accu et des accus

#### Transport

#### ATTENTION

#### Mise en marche inopinée lors du transport !

- ▶ Toujours retirer les accus avant de transporter les produits !
- ▶ Retirer le ou les accus.
- ▶ Ne jamais transporter les accus en vrac. Pendant le transport, les accus doivent être protégés des vibrations et chocs excessifs, isolés de tout matériau conducteur ou autre accu, pour éviter qu'ils n'entrent en contact avec d'autres pôles de batterie et qu'ils provoquent un court-circuit. **Tenir compte des prescriptions locales pour le transport d'accus.**
- ▶ Ne pas envoyer les accus par la poste. S'adresser à un service d'expédition s'il faut envoyer des accus non endommagés.
- ▶ Contrôler l'état du produit et des accus avant chaque utilisation, ainsi qu'avant et après tout transport prolongé.

#### Stockage

#### AVERTISSEMENT

#### Endommagement involontaire du fait d'accus défectueux ou de chute d'accu !

- ▶ Toujours retirer les accus avant de stocker les produits !
- ▶ Stocker si possible le produit et les accus dans un endroit sec et frais. Respecter les valeurs limites de température indiquées dans les caractéristiques techniques.
- ▶ Ne pas stocker les accus sur le chargeur. Retirer toujours l'accu du chargeur après la charge.



- ▶ Ne jamais stocker les accus exposés au soleil, sur des sources de chaleur ou derrière des vitres.
- ▶ Stocker le produit et les accus à l'abri des enfants et des personnes non autorisées.
- ▶ Contrôler l'état du produit et des accus avant chaque utilisation, ainsi qu'avant et après tout stockage prolongé.

## 8 Guide de dépannage



### 8.1 Aide au dépannage

En cas de défaillances non énumérées dans ce tableau ou auxquelles il n'est pas possible de remédier sans aide, contacter le S.A.V. Hilti.

### 8.2 Le perforateur-burineur n'est pas en état de marche

Défaillance	Causes possibles	Solution
Le perforateur-burineur ne se met pas en marche.	Perforateur-burineur surchargé.	▶ Arrêter le perforateur-burineur, retirer l'accu et ne plus continuer à utiliser le perforateur-burineur.
Les LEDs n'indiquent rien.	L'accu n'est pas complètement encliqueté.	▶ Encliqueter l'accu d'un « double-clic ».
	Décharger l'accu.	▶ Remplacer l'accu et charger l'accu vide.
	Accu trop chaud ou trop froid.	▶ Amener l'accu à la température de service recommandée.
1 LED clignote.	Décharger l'accu.	▶ Remplacer l'accu et charger l'accu vide.
	Accu trop chaud ou trop froid.	▶ Amener l'accu à la température de service recommandée.
4 LEDs clignent.	Surcharge momentanée du perforateur-burineur.	▶ Relâcher le variateur électronique de vitesse et l'actionner à nouveau.
	Protection contre la surchauffe.	▶ Laisser le perforateur-burineur refroidir et nettoyer les ouïes d'aération.

### 8.3 Le perforateur-burineur est en état de marche

Défaillance	Causes possibles	Solution
Absence de percussion.	Perforateur-burineur trop froid.	▶ Poser le perforateur-burineur sur le support et le laisser tourner à vide. Répéter si nécessaire jusqu'à ce que le mécanisme de frappe fonctionne.
	Sélecteur de fonction sur "Perçage sans percussion"  .	▶ Tourner le sélecteur de fonction sur "Perçage avec percussion"  .
Impossible d'enfoncer le variateur électronique de vitesse ou le variateur est bloqué.	Inverseur du sens de rotation droite / gauche sur la position de transport.	▶ Pousser l'inverseur du sens de rotation droite / gauche vers la droite ou la gauche.
La broche de l'appareil ne tourne pas.	Dépassement de la température de service admissible pour le système électronique du perforateur-burineur.	▶ Laisser le perforateur-burineur refroidir.
	Décharger l'accu.	▶ Remplacer l'accu et charger l'accu vide.



Défaillance	Causes possibles	Solution
Le perforateur-burineur s'arrête automatiquement.	La protection électronique contre les surcharges réagit.	► Relâcher le variateur électronique de vitesse. Laisser le perforateur-burineur refroidir. Réactionner le variateur électronique de vitesse. Réduire la charge de l'appareil.
L'accu se vide plus rapidement que d'habitude.	L'état de l'accu n'est pas optimal.	► Remplacer l'accu.
L'accu ne s'encliquette pas avec un « double-clic » audible.	Ergots d'encliquetage encrassés sur l'accu.	► Nettoyer les ergots d'encliquetage et réencliqueter l'accu dans son logement.
Important dégagement de chaleur dans le perforateur-burineur ou dans l'accu.	Défaut électrique	► Arrêter immédiatement le perforateur-burineur. Retirer l'accu et l'examiner. Le laisser refroidir. Contacter le S.A.V. <b>Hilti</b> .
	Charge excessive du perforateur-burineur (limite d'emploi dépassée).	► Utiliser un perforateur-burineur approprié au type de travail envisagé.
L'outil ne sort pas du dispositif de verrouillage.	Le mandrin n'est pas complètement ouvert.	► Retirer le dispositif de verrouillage de l'outil jusqu'à la butée et sortir l'outil.
L'outil ne perce pas.	Perforateur-burineur réglé sur le sens de rotation gauche.	► Mettre l'inverseur du sens de rotation droite / gauche sur rotation droite.

## 9 Recyclage

Les appareils **Hilti** sont fabriqués pour une grande partie en matériaux recyclables. Le recyclage présuppose un tri adéquat des matériaux. **Hilti** reprend les appareils usagés dans de nombreux pays en vue de leur recyclage. Consulter le service clients **Hilti** ou un conseiller commercial.



- Ne pas jeter les appareils électriques, électroniques et accus dans les ordures ménagères !

## 10 Garantie constructeur

- En cas de questions sur les conditions de garantie, veuillez vous adresser à votre partenaire **Hilti** local.

# Manual de instrucciones original

## 1 Información sobre el manual de instrucciones

### 1.1 Acerca de este manual de instrucciones

- Lea detenidamente este manual de instrucciones antes de la puesta en servicio. Ello es imprescindible para un trabajo seguro y un manejo sin problemas.
- Observe las indicaciones y advertencias de seguridad en este manual de instrucciones y en el producto.
- Conserve este manual de instrucciones siempre junto con el producto y entregue el producto a otras personas siempre acompañado de este manual de instrucciones.

### 1.2 Explicación de símbolos

#### 1.2.1 Avisos

Las advertencias de seguridad advierten de peligros derivados del manejo del producto. Se utilizan las siguientes palabras de peligro:



**⚠ PELIGRO**

**PELIGRO !**

► Término utilizado para un peligro inminente que puede ocasionar lesiones graves o incluso la muerte.

**⚠ ADVERTENCIA**

**ADVERTENCIA !**

► Término utilizado para un posible peligro que puede ocasionar lesiones graves o incluso la muerte.

**⚠ PRECAUCIÓN**

**PRECAUCIÓN !**

► Término utilizado para una posible situación peligrosa que puede ocasionar lesiones o daños materiales.

**1.2.2 Símbolos en el manual de instrucciones**

En este manual de instrucciones se utilizan los siguientes símbolos:

	Consulte el manual de instrucciones
	Indicaciones de uso y demás información de interés
	Manejo con materiales reutilizables
	No tire las herramientas eléctricas y las baterías junto con los desperdicios domésticos
	<b>Hilti</b> Batería de Ion-Litio
	<b>Hilti</b> Cargador

**1.2.3 Símbolos en las figuras**

En las figuras se utilizan los siguientes símbolos:

<b>2</b>	Estos números hacen referencia a la figura correspondiente incluida al principio de este manual de instrucciones.
3	La numeración en las figuras hace referencia a pasos de trabajo importantes o componentes importantes para los pasos de trabajo. Estos pasos de trabajo o componentes se resaltan en el texto mediante los correspondientes números, p. ej., <b>(3)</b> .
<b>11</b>	En la figura <b>Vista general</b> se utilizan números de posición y los números de la leyenda están explicados en el apartado <b>Vista general del producto</b> .
	Preste especial atención a este símbolo cuando utilice el producto.

**1.3 Símbolos del producto**

**1.3.1 Símbolos en el producto**

En el producto se pueden utilizar los siguientes símbolos:

	Taladrar sin percusión
	Taladrar con percusión (taladrar con martillo)
	Giro derecha/izquierda
$n_0$	Número de referencia de revoluciones en vacío
/min	Revoluciones por minuto
	Corriente continua
Li-Ion	Batería de Ion-Litio



	Serie utilizada de baterías de Ion-Litio <b>Hilti</b> . Consulte las indicaciones recogidas en el capítulo <b>Uso conforme a las prescripciones.</b>
	Nunca utilice la batería como herramienta de percusión.
	No deje que la batería se caiga. No utilice baterías que hayan recibido algún golpe ni que estén dañadas de alguna otra forma.
	La herramienta admite la tecnología NFC, compatible con plataformas iOS y Android.

## 1.4 Información del producto

Los productos **HILTI** han sido diseñados para usuarios profesionales y solo personal autorizado y debidamente formado puede utilizarlos y llevar a cabo su mantenimiento y conservación. Este personal debe estar especialmente instruido en lo referente a los riesgos de uso. La utilización del producto y sus dispositivos auxiliares puede conllevar riesgos para el usuario en caso de manejarse de forma inadecuada por personal no cualificado o utilizarse para usos diferentes a los que están destinados.

La denominación del modelo y el número de serie están indicados en la placa de identificación.

- ▶ Escriba el número de serie en la siguiente tabla. Necesitará los datos del producto para realizar consultas a nuestros representantes o al Departamento de Servicio Técnico.

### Datos del producto

Modelo:	TE 2-A22
Generación:	02
N.º de serie:	

## 2 Seguridad

### 2.1 Indicaciones generales de seguridad para herramientas eléctricas

**⚠ ADVERTENCIA** Lea con atención todas las indicaciones de seguridad, instrucciones, ilustraciones y datos técnicos correspondientes a esta herramienta eléctrica. La negligencia en el cumplimiento de las instrucciones que se describen a continuación podría provocar descargas eléctricas, incendios o lesiones graves.

**Conserve todas las instrucciones e indicaciones de seguridad para futuras consultas.**

El término «herramienta eléctrica» empleado en las indicaciones de seguridad se refiere a herramientas eléctricas portátiles, ya sea con cable de red o sin cable, en caso de ser accionadas por batería.

#### Seguridad en el puesto de trabajo

- ▶ **Mantenga su área de trabajo limpia y bien iluminada.** El desorden o una iluminación deficiente de las zonas de trabajo pueden provocar accidentes.
- ▶ **No utilice la herramienta eléctrica en un entorno con peligro de explosión en el que se encuentren líquidos, gases o polvos inflamables.** Las herramientas eléctricas producen chispas que pueden llegar a inflamar los materiales en polvo o vapores.
- ▶ **Mantenga alejados a los niños y otras personas de su puesto de trabajo al emplear la herramienta eléctrica.** Una distracción le puede hacer perder el control sobre la herramienta.

#### Seguridad eléctrica

- ▶ **El enchufe de la herramienta eléctrica debe corresponder a la toma de corriente utilizada. No se deberá modificar el enchufe en forma alguna. No utilice enchufes adaptadores para las herramientas eléctricas con puesta a tierra.** Los enchufes sin modificar adecuados a las respectivas tomas de corriente reducen el riesgo de descarga eléctrica.
- ▶ **Evite el contacto corporal con superficies que tengan puesta a tierra, como pueden ser tubos, calefacciones, cocinas y frigoríficos.** El riesgo a quedar expuesto a una sacudida eléctrica es mayor si su cuerpo tiene contacto con tierra.
- ▶ **No exponga las herramientas eléctricas a la lluvia y evite que penetren líquidos en su interior.** El riesgo de recibir descargas eléctricas aumenta si penetra agua en la herramienta eléctrica.
- ▶ **No utilice el cable de conexión para transportar o colgar la herramienta eléctrica ni tire de él para extraer el enchufe de la toma de corriente. Mantenga el cable de conexión alejado de fuentes de calor, aceite, aristas afiladas o piezas móviles.** Los cables de conexión dañados o enredados pueden provocar descargas eléctricas.



- ▶ **Cuando trabaje al aire libre con una herramienta eléctrica, utilice exclusivamente un alargador adecuado para exteriores.** La utilización de un alargador adecuado para su uso en exteriores evita el riesgo de una descarga eléctrica.
- ▶ **Cuando no pueda evitarse el uso de la herramienta eléctrica en un entorno húmedo, utilice un interruptor de corriente de defecto.** La utilización de un interruptor de corriente de defecto evita el riesgo de una descarga eléctrica.

### Seguridad de las personas

- ▶ **Permanezca atento, preste atención durante el trabajo y utilice la herramienta eléctrica con prudencia. No utilice una herramienta eléctrica si está cansado, ni tampoco después de haber consumido alcohol, drogas o medicamentos.** Un momento de descuido al utilizar la herramienta eléctrica podría producir graves lesiones.
- ▶ **Utilice el equipo de seguridad personal adecuado y lleve siempre gafas protectoras.** El riesgo de lesiones se reduce considerablemente si, según el tipo y la aplicación de la herramienta eléctrica empleada, se utiliza un equipo de seguridad personal adecuado como una mascarilla antipolvo, zapatos de seguridad con suela antideslizante, casco de protección o protección para los oídos.
- ▶ **Evite una puesta en servicio fortuita de la herramienta. Asegúrese de que la herramienta eléctrica está apagada antes de alzarla, transportarla, conectarla a la toma de corriente o insertar la batería.** Si transporta la herramienta eléctrica sujetándola por el interruptor de conexión/desconexión o si introduce el enchufe en la toma de corriente con la herramienta conectada, podría producirse un accidente.
- ▶ **Retire las herramientas de ajuste o llaves fijas antes de conectar la herramienta eléctrica.** Una herramienta o llave colocada en una pieza giratoria puede producir lesiones al ponerse en funcionamiento.
- ▶ **Evite adoptar posturas forzadas. Procure que la postura sea estable y manténgase siempre en equilibrio.** De esta forma podrá controlar mejor la herramienta eléctrica en caso de presentarse una situación inesperada.
- ▶ **Utilice ropa adecuada. No utilice vestimenta amplia ni joyas. Mantenga su pelo, vestimenta y guantes alejados de las piezas móviles.** La vestimenta suelta, las joyas y el pelo largo se pueden enganchar con las piezas en movimiento.
- ▶ **Siempre que sea posible montar equipos de aspiración o captación de polvo, asegúrese de que están conectados y de que se utilizan correctamente.** El uso de un sistema de aspiración de polvo reduce los riesgos derivados del polvo.
- ▶ **No se crea a salvo de cualquier riesgo ni pase por alto ninguna de las normas de seguridad relativas a las herramientas eléctricas, aun cuando esté familiarizado con la herramienta eléctrica y tenga larga experiencia en su uso.** Una actuación negligente puede provocar lesiones graves en cuestión de segundos.

### Uso y manejo de la herramienta eléctrica

- ▶ **No sobrecargue la herramienta. Utilice la herramienta eléctrica adecuada para el trabajo que se dispone a realizar.** Con la herramienta eléctrica apropiada podrá trabajar mejor y de modo más seguro dentro del margen de potencia indicado.
- ▶ **No utilice herramientas eléctricas con el interruptor defectuoso.** Las herramientas eléctricas que no se puedan conectar o desconectar son peligrosas y deben repararse.
- ▶ **Extraiga el enchufe de la toma de corriente o retire la batería extraíble antes de efectuar cualquier ajuste en la herramienta, cambiar accesorios o en caso de no utilizar la herramienta durante un tiempo prolongado.** Esta medida preventiva evita el riesgo de arranque accidental de la herramienta eléctrica.
- ▶ **Guarde las herramientas eléctricas que no utilice fuera del alcance de los niños. No permita utilizar la herramienta a ninguna persona que no esté familiarizada con ella o que no haya leído este manual de instrucciones.** Las herramientas eléctricas utilizadas por personas inexpertas son peligrosas.
- ▶ **Cuide su herramienta eléctrica y los accesorios adecuadamente. Compruebe si las piezas móviles de la herramienta funcionan correctamente y sin atascarse, y si existen piezas rotas o deterioradas que pudieran afectar al funcionamiento de la herramienta eléctrica. Encargue la reparación de las piezas defectuosas antes de usar la herramienta eléctrica.** Muchos accidentes son consecuencia de un mantenimiento inadecuado de la herramienta eléctrica.
- ▶ **Mantenga los útiles limpios y afilados.** Las herramientas de corte bien cuidadas y con aristas afiladas se atascan menos y se guían con más facilidad.
- ▶ **Utilice la herramienta eléctrica, los accesorios, útiles de inserción, etc., de acuerdo con estas instrucciones. Para ello, tenga en cuenta las condiciones de trabajo y la tarea que se va a realizar.** El uso de herramientas eléctricas para trabajos diferentes de aquellos para los que han sido concebidas puede resultar peligroso.



- ▶ **Mantenga las empuñaduras y las superficies de contacto secas, limpias y sin residuos de aceite o grasa.** Las empuñaduras y superficies de contacto resbaladizas impiden manejar y controlar la herramienta eléctrica con seguridad en situaciones imprevistas.

#### Uso y manejo de la herramienta de batería

- ▶ **Cargue las baterías únicamente con los cargadores recomendados por el fabricante.** Existe riesgo de incendio al intentar cargar baterías de un tipo diferente al previsto para el cargador.
- ▶ **Utilice únicamente las baterías previstas para la herramienta eléctrica.** El uso de otro tipo de baterías puede provocar daños e incluso incendios.
- ▶ **Si no utiliza la batería, guárdela separada de clips, monedas, llaves, clavos, tornillos y demás objetos metálicos que pudieran puentear sus contactos.** El cortocircuito de los contactos de la batería puede causar quemaduras o incendios.
- ▶ **La utilización inadecuada de la batería puede provocar fugas de líquido. Evite el contacto con este líquido. En caso de contacto accidental, enjuague el área afectada con abundante agua. En caso de contacto con los ojos, acuda además inmediatamente a un médico.** El líquido de la batería puede irritar la piel o producir quemaduras.
- ▶ **No utilice baterías dañadas o modificadas.** Una batería dañada o modificada puede tener un comportamiento imprevisible y provocar incendios, explosiones o riesgo de lesiones.
- ▶ **No exponga la batería al fuego o a temperaturas muy elevadas.** El fuego o las temperaturas superiores a 130 °C (265 °F) pueden provocar una explosión.
- ▶ **Siga todas las instrucciones relativas a la carga y no cargue nunca la batería o la herramienta de batería excediendo el rango de temperatura indicado en el manual de instrucciones.** Una carga incorrecta o fuera del rango de temperatura permitido puede destruir la batería y aumentar el riesgo de incendio.

#### Servicio Técnico

- ▶ **Solicite que un profesional lleve a cabo la reparación de su herramienta eléctrica y que utilice exclusivamente piezas de repuesto originales.** Solamente así se garantiza la seguridad de la herramienta.
- ▶ **No realice nunca el mantenimiento de baterías dañadas.** Cualquier mantenimiento de las baterías debe llevarlo a cabo el fabricante o un centro del Servicio de Atención al Cliente autorizado.

## 2.2 Indicaciones de seguridad para martillos

### Indicaciones de seguridad para todos los trabajos

- ▶ **Utilice protección para los oídos.** El ruido constante puede reducir la capacidad auditiva.
- ▶ **Utilice las empuñaduras adicionales que se suministran con la herramienta.** La pérdida del control puede causar lesiones.
- ▶ **Sujete la herramienta por las empuñaduras aisladas cuando realice trabajos en los que el útil de inserción pueda entrar en contacto con cables eléctricos ocultos.** El contacto con los cables conductores puede traspasar la conductividad a las partes metálicas y producir descargas eléctricas.

### Indicaciones de seguridad al utilizar la broca larga

- ▶ **Inicie el proceso de perforación siempre con velocidad baja y mientras la broca esté en contacto con la pieza de trabajo.** A velocidades elevadas, la broca se puede doblar un poco si gira libremente sin entrar en contacto con la pieza de trabajo, lo que puede provocar lesiones.
- ▶ **No aplique una presión excesiva y solo en sentido longitudinal respecto a la broca.** Las brocas pueden doblarse y, por consiguiente, romperse o provocar la pérdida del control e incluso lesiones.

## 2.3 Indicaciones de seguridad adicionales para el martillo perforador

### Seguridad de las personas

- ▶ Utilice el producto y los accesorios solo si están en perfecto estado técnico.
- ▶ No efectúe nunca manipulaciones o modificaciones en el producto ni en los accesorios.
- ▶ Utilice las empuñaduras adicionales que se suministran con el producto. La pérdida del control puede causar lesiones.
- ▶ Durante el proceso de taladrado, proteja la zona opuesta al lugar donde se realiza el trabajo, ya que pueden desprenderse cascotes y causar heridas a otras personas.
- ▶ Sujete siempre el producto con ambas manos por las empuñaduras previstas. Mantenga las empuñaduras secas y limpias.
- ▶ Sujete el producto por las empuñaduras aisladas cuando realice trabajos en los que el útil de inserción pueda entrar en contacto con cables eléctricos ocultos. El contacto con los cables conductores puede traspasar la conductividad a las partes metálicas y producir descargas eléctricas.



- ▶ Evite tocar las piezas en movimiento. Existe riesgo de lesiones.
- ▶ Mientras usa el producto, utilice protección para los ojos, casco de protección, protección para los oídos, así como una mascarilla adecuada.
- ▶ Utilice guantes de protección para cambiar el útil. El contacto con el útil de inserción puede producir cortes y quemaduras.
- ▶ Utilice protección para los ojos. El material que sale disparado puede ocasionar lesiones en los ojos y en el cuerpo.
- ▶ El polvo que se genera al pulir, lijar, cortar y taladrar puede contener productos químicos peligrosos, como, por ejemplo, plomo o pinturas basadas en plomo; ladrillos, hormigón y otros productos de mampostería, piedra natural y otros productos que contengan silicatos; determinadas maderas, como el roble o el haya o las maderas tratadas químicamente, o amianto o materiales que contengan asbesto. La exposición del usuario y las personas circundantes debe regularse según la clase de peligro de los materiales con los que se trabaje. Tome las medidas necesarias para mantener la exposición a un nivel seguro, p. ej., mediante el uso de un sistema de recogida de polvo o una mascarilla adecuada. Las medidas genéricas para reducir la exposición son, entre otras:
  - ▶ trabajar en un espacio bien ventilado;
  - ▶ evitar el contacto prolongado con el polvo;
  - ▶ desviar el polvo de la cara y el cuerpo;
  - ▶ usar prendas protectoras y lavar con agua y jabón las zonas expuestas.
- ▶ Efectúe a menudo pausas y ejercicios para mejorar la circulación de los dedos. Tras muchas horas de trabajo expuesto a las vibraciones intensas, pueden surgir complicaciones en los vasos sanguíneos o en el sistema nervioso en dedos, manos o articulaciones de las manos.

### **Seguridad eléctrica**

- ▶ Antes de empezar a trabajar, compruebe si la zona de trabajo oculta cables eléctricos, tuberías de gas o cañerías de agua. Las partes metálicas exteriores del producto pueden provocar una descarga eléctrica o una explosión si se daña un cable eléctrico, una tubería de gas o una cañería de agua.

### **Manipulación y utilización segura de las herramientas eléctricas**

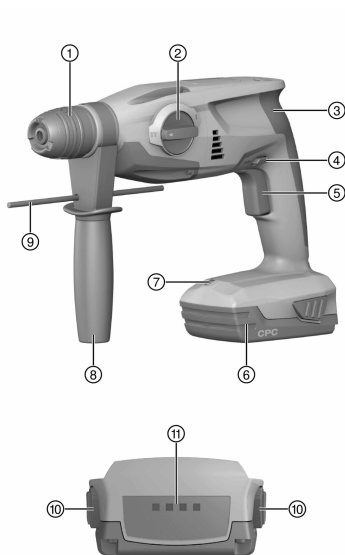
- ▶ Desconecte el producto inmediatamente si el útil de inserción se bloquea. El producto se puede desviar lateralmente.
- ▶ Espere hasta que el producto se haya detenido antes de dejarlo en ninguna superficie.





### 3 Descripción

#### 3.1 Componentes de la herramienta, elementos de manejo y de indicación



- ① Portaútiles
- ② Interruptor selector de funciones
- ③ Interruptor de conmutación derecha/izquierda
- ④ Conmutador de control
- ⑤ Botones de desbloqueo de la batería
- ⑥ Batería
- ⑦ Empuñadura
- ⑧ Empuñadura lateral
- ⑨ LED
- ⑩ Tope de profundidad

This Product is Certified  
Ce produit est homologué  
Producto homologado por  
Este producto está registrado

#### 3.2 Uso conforme a las prescripciones

El producto descrito es un martillo perforador de batería. Está indicado para taladrar en acero, madera y mampostería, para taladrar con martillo en hormigón y mampostería, y para apretar y aflojar tornillos.

- Para este producto utilice únicamente las baterías Ion-Litio de **Hilti** de la serie B 22.
- Para estas baterías, utilice exclusivamente los cargadores suministrados por **Hilti**. Encontrará más información en la **Hilti Store** o en [www.hilti.group](http://www.hilti.group)

#### 3.3 Indicador de la batería de Ion-Litio

Al utilizar la batería de Ion-Litio, el estado de carga puede visualizarse tocando una de las teclas de desbloqueo.

Estado	Significado
Los 4 LED encendidos.	Estado de carga: 75 % a 100 %
3 LED encendidos.	Estado de carga: 50 % a 75 %
2 LED encendidos.	Estado de carga: 25 % a 50 %
1 LED encendido.	Estado de carga: 10 % a 25 %
1 LED parpadea.	Estado de carga: < 10 %

El estado de carga no puede consultarse mientras la herramienta esté en uso ni inmediatamente después de usarla. Si los LED indicadores del estado de carga de la batería parpadean, observe las indicaciones del capítulo «Localización de averías».

#### 3.4 Suministro

Martillo perforador, empuñadura lateral, tope de profundidad, manual de instrucciones.

Para trabajar sin polvo tiene a su disposición, como accesorio, el módulo de aspiración TE DRS-S.



## 4 Datos técnicos

### 4.1 Martillo perforador

	TE 2-A22
Tensión nominal	21,6 V
Peso (incluida batería) B228.0	7,3 lb (3,3 kg)
Margen de perforación en hormigón/muro (taladrado con martillo)	1/8 in ... 5/8 in
Margen de perforación en metal (broca maciza)	0 in ... 3/8 in
Longitud máxima del tope de profundidad	7 in

### 4.2 Batería

Tensión de servicio de la batería	21,6 V
Temperatura ambiente en funcionamiento	1 °F ... 140 °F (-17 °C ... 60 °C)
Temperatura de almacenamiento	-4 °F ... 104 °F (-20 °C ... 40 °C)
Temperatura de la batería al comenzar la carga	14 °F ... 113 °F (-10 °C ... 45 °C)

## 5 Manejo

### 5.1 Preparación del trabajo

#### ADVERTENCIA

##### Riesgo de lesiones por arranque involuntario.

- ▶ Antes de insertar la batería, asegúrese de que el producto correspondiente esté desconectado.
- ▶ Retire la batería antes de realizar ajustes en la herramienta o de cambiar accesorios.

Respete las indicaciones de seguridad y las advertencias presentes en esta documentación y en el producto.

#### 5.1.1 Montaje de la empuñadura lateral

1. Gire la empuñadura para soltar el soporte (banda de sujeción) de la empuñadura lateral.
2. Deslice el soporte (banda de sujeción) desde delante a través del portaútiles hasta la ranura prevista para ello.
3. Coloque la empuñadura lateral en la posición deseada.
4. Gire la empuñadura para fijar el soporte (banda de sujeción) de la empuñadura lateral.

#### 5.1.2 Colocación de la batería

1. Coloque la batería en el soporte de la herramienta, hasta que encaje de forma audible.
2. Compruebe que la batería está bien colocada.

#### 5.1.3 Extracción de la batería

1. Pulse las teclas de desbloqueo de la batería.
2. Extraiga la batería hacia atrás.

#### 5.1.4 Colocación del útil de inserción

1. Engrase ligeramente el extremo de inserción del útil.
  - ▶ Utilice únicamente grasa original de Hilti. Una grasa inadecuada puede provocar daños en la herramienta.
2. Encaje el útil de inserción en el portaútiles introduciéndolo hasta el tope.



3. Una vez insertado, tire del útil para comprobar que está encajado.
  - ▶ El producto está listo para funcionar.

### 5.1.5 Extracción del útil de inserción

#### PRECAUCIÓN

**Riesgo de lesiones por herramienta de inserción.** El útil puede estar caliente o afilado.

- ▶ Utilice guantes de protección para cambiar el útil.
- 
- ▶ Retire el bloqueo del útil hasta el tope y extraiga el útil de inserción.

### 5.1.6 Montaje del tope de profundidad (opcional)

1. Gire la empuñadura para soltar el soporte (banda de sujeción) de la empuñadura lateral.
2. Introduzca el tope de profundidad desde delante en los 2 orificios guía previstos para este fin.
3. Gire la empuñadura para fijar el soporte (banda de sujeción) de la empuñadura lateral.

## 5.2 Procedimiento de trabajo

#### PRECAUCIÓN

**Riesgo de daños por manejo incorrecto.**

- ▶ No accione el interruptor para la selección del sentido de giro y/o la función durante el funcionamiento.

Respete las indicaciones de seguridad y las advertencias presentes en esta documentación y en el producto.

### 5.2.1 Iluminación del área de trabajo



El LED se activa automáticamente al accionar el conmutador de control. Al soltar el conmutador de control, el LED se apaga poco a poco.

- ▶ Pulse el conmutador de control.

### 5.2.2 Sentido de giro

- ▶ Ajuste el sentido de giro.
  - ▶ El interruptor encaja en esa posición.

### 5.2.3 Taladrar sin percusión

- ▶ Sitúe el interruptor selector de funciones en este símbolo:

### 5.2.4 Taladrar con percusión

- ▶ Sitúe el interruptor selector de funciones en este símbolo:

## 6 Cuidado y mantenimiento

### 6.1 Cuidado y mantenimiento

#### ADVERTENCIA

**Riesgo de lesiones con la batería colocada !**

- ▶ Extraiga siempre la batería antes de llevar a cabo tareas de cuidado y mantenimiento.

#### Cuidado del producto

- Elimine con precaución la suciedad fuertemente adherida.
- Las rejillas de ventilación, si las hay, deben limpiarse con cuidadosamente con un cepillo seco y suave.
- Limpie la carcasa solo con un paño ligeramente humedecido. No utilice productos de limpieza que contengan silicona, ya que podrían dañar las piezas de plástico.
- Utilice un paño limpio y seco para limpiar los contactos del producto.

#### Cuidado de las baterías de Ion-Litio

- No utilice nunca una batería con las rejillas de ventilación obstruidas. Limpie cuidadosamente las rejillas de ventilación con un cepillo seco y suave.



- Evite la exposición innecesaria de la batería al polvo o la suciedad. No exponga nunca la batería a altos niveles de humedad (por ejemplo, sumergiéndola en agua o dejándola bajo la lluvia). Si penetra agua en la batería, trátela como una batería dañada. Aíslela en un recipiente no inflamable y póngase en contacto con el Servicio Técnico de **Hilti**.
- Mantenga la batería limpia de aceite o grasa. No permita la acumulación innecesaria de polvo o suciedad en la batería. Limpie la batería con un cepillo seco y suave o con un paño limpio y seco. No utilice productos de limpieza que contengan silicona, ya que podrían dañar las piezas de plástico. No toque los contactos de la batería y no elimine de los contactos la grasa aplicada de fábrica.
- Limpie la carcasa solo con un paño ligeramente humedecido. No utilice productos de limpieza que contengan silicona, ya que podrían afectar a las piezas de plástico.

### Mantenimiento

- Compruebe con regularidad que las piezas visibles no estén dañadas y los elementos de manejo funcionen correctamente.
- No utilice el producto si presenta daños o fallos que afecten al funcionamiento. Encargue inmediatamente la reparación del producto al Servicio Técnico de **Hilti**.
- Tras las tareas de cuidado y mantenimiento, coloque todos los dispositivos de protección y asegúrese de que funcionen correctamente.



Para garantizar un correcto funcionamiento, utilice exclusivamente piezas de repuesto y consumibles originales. Las piezas de repuesto, los consumibles y los accesorios autorizados por **Hilti** se pueden consultar en su **Hilti Store** o en: [www.hilti.group](http://www.hilti.group)

## 6.2 Limpieza de la tapa de protección contra el polvo

- ▶ Limpie regularmente la tapa de protección contra el polvo del portaútiles con un paño limpio y seco.
- ▶ Limpie con cuidado la falda de obturación y vuelva a lubricarla ligeramente con grasa **Hilti**.
- ▶ Sustituya la tapa de protección contra el polvo de inmediato si la falda de obturación está dañada.

## 7 Transporte y almacenamiento

### 7.1 Transporte y almacenamiento de las baterías y sus herramientas

#### Transporte

#### PRECAUCIÓN

#### Arranque involuntario en el transporte !

- ▶ Transporte sus productos siempre sin batería.
- ▶ Extraiga la(s) batería(s).
- ▶ Nunca transporte las baterías sin embalaje. Durante el transporte, las baterías deben estar protegidas frente a vibraciones y golpes excesivos y aisladas de todo material conductor y de otras baterías para que no entren en contacto con los polos de otras baterías y causen un cortocircuito. **Tenga en cuenta las normativas locales sobre el transporte de baterías.**
- ▶ Las baterías no deben enviarse por correo. Diríjase a una empresa de transporte si quiere enviar baterías no dañadas.
- ▶ Compruebe si el producto o las baterías están dañados antes de cada uso y antes y después de un transporte prolongado.

#### Almacenamiento

#### ADVERTENCIA

#### Daños imprevistos debido a una batería defectuosa o agotada !

- ▶ Guarde su productos siempre sin batería.
- ▶ Guarde el producto y las baterías en un lugar fresco y seco. Tenga en cuenta los valores límite de temperatura que figuran en los datos técnicos.
- ▶ No almacene las baterías en el cargador. Extraiga siempre la batería del cargador después del proceso de carga.
- ▶ No guarde nunca las baterías en un lugar expuesto al sol, a fuentes de calor o detrás de un cristal.
- ▶ Guarde el producto y las baterías fuera del alcance de niños y personas no autorizadas.
- ▶ Compruebe si el producto o las baterías están dañados antes de cada uso y antes y después de un almacenamiento prolongado.



## 8 Localización de averías



### 8.1 Ayuda en caso de averías

Si se producen averías que no estén incluidas en esta tabla o que no pueda solucionar usted, diríjase al Servicio Técnico de Hilti.

### 8.2 El martillo perforador no está listo para funcionar

Anomalía	Posible causa	Solución
El martillo perforador no se pone en marcha.	Martillo perforador sobrecargado.	► Desconecte el martillo perforador, extraiga la batería y deje de utilizar el martillo perforador.
Los LED no indican nada.	La batería no se ha insertado completamente.	► Encaje la batería hasta que note un doble clic.
	La batería está descargada.	► Cambie la batería y recargue la batería vacía.
	La batería está demasiado caliente o fría.	► Deje que la batería alcance la temperatura de trabajo recomendada.
1 LED parpadea.	La batería está descargada.	► Cambie la batería y recargue la batería vacía.
	La batería está demasiado caliente o fría.	► Deje que la batería alcance la temperatura de trabajo recomendada.
Los 4 LED parpadean.	Martillo perforador sobrecargado brevemente.	► Suelte el conmutador de control y vuélvalo a accionar.
	La protección de sobrecalentamiento está activada.	► Deje enfriar el martillo perforador y limpie las rejillas de ventilación.

### 8.3 El martillo perforador está listo para funcionar

Anomalía	Posible causa	Solución
Sin percusión.	Martillo perforador demasiado frío.	► Apoye el martillo perforador en la superficie de trabajo y déjelo funcionando con la marcha en vacío. Repítalo si es necesario hasta que funcione el mecanismo de percusión.
	Interruptor selector de funciones en «Taladrar sin percusión»  .	► Sitúe el interruptor selector de funciones en la posición «Taladrar con martillo»  .
El conmutador de control no se puede pulsar o está bloqueado.	Conmutador de giro a la derecha/izquierda en posición central.	► Presione el conmutador de giro a la derecha/izquierda hacia la derecha o la izquierda.
El husillo de la herramienta no gira.	Se ha sobrepasado la temperatura de servicio autorizada en el sistema electrónico del martillo perforador.	► Deje que el martillo perforador se enfríe.
	La batería está descargada.	► Cambie la batería y recargue la batería vacía.
El martillo perforador se desconecta automáticamente.	Se activa la protección contra sobrecarga.	► Suelte el conmutador de control. Deje que el martillo perforador se enfríe. Vuelva a accionar el conmutador de control. Reduzca la carga de la herramienta.



Anomalia	Posible causa	Solução
La batería se descarga con mayor rapidez que de costumbre.	Estado de la batería no óptimo.	▶ Sustituya la batería.
La batería no encaja con un doble clic audible.	Suciedad en las lengüetas de la batería.	▶ Limpie las lengüetas y vuelva a colocar la batería.
Calentamiento considerable del martillo perforador o la batería.	Error en el sistema eléctrico.	▶ Desconecte el martillo perforador de inmediato. Extraiga la batería y obsérvela. Deje que se enfríe. Póngase en contacto con el Servicio Técnico de <b>Hilti</b> .
	Martillo perforador sobrecargado (límites de aplicación superados).	▶ Seleccione una herramienta adecuada para la aplicación.
La herramienta no se puede desbloquear.	El portaútiles no se ha retraído completamente.	▶ Retire el bloqueo del útil hasta el tope y extráigalo.
La herramienta no se puede desmontar.	Martillo perforador ajustado con el giro a la izquierda.	▶ Conecte el interruptor de conmutación derecha/izquierda en posición de giro a la derecha.

## 9 Reciclaje

Las herramientas **Hilti** están fabricadas en su mayor parte con materiales reutilizables. La condición para dicha reutilización es una separación adecuada de los materiales. En muchos países, **Hilti** recoge las herramientas usadas para su recuperación. Pregunte en el Servicio de Atención al Cliente de **Hilti** o a su asesor de ventas.



- ▶ No deseche las herramientas eléctricas, los aparatos eléctricos ni las baterías junto con los residuos domésticos.

## 10 Garantía del fabricante

- ▶ Si tiene alguna consulta acerca de las condiciones de la garantía, póngase en contacto con su sucursal local de **Hilti**.

# Manual de instruções original

## 1 Indicações sobre o Manual de instruções

### 1.1 Relativamente a este Manual de instruções

- Antes da colocação em funcionamento, leia este manual de instruções. Esta é a condição para um trabalho seguro e um manuseamento sem problemas.
- Tenha em atenção as instruções de segurança e as advertências neste Manual de instruções e no produto.
- Guarde o manual de instruções sempre junto do produto e entregue-o a outras pessoas apenas juntamente com este manual de instruções.

### 1.2 Explicação dos símbolos

#### 1.2.1 Advertências

As advertências alertam para perigos durante a utilização do produto. São utilizadas as seguintes palavras de aviso:



**PERIGO !**

- ▶ Indica perigo iminente que pode originar acidentes pessoais graves ou até mesmo fatais.



**AVISO**

**AVISO !**

- ▶ Indica um possível perigo que pode causar graves ferimentos pessoais, até mesmo fatais.

**CUIDADO**

**CUIDADO !**

- ▶ Indica uma situação potencialmente perigosa que pode originar ferimentos corporais ou danos materiais.

**1.2.2 Símbolos no manual de instruções**

Neste manual de instruções são utilizados os seguintes símbolos:

	Consultar o manual de instruções
	Instruções de utilização e outras informações úteis
	Manuseamento com materiais recicláveis
	Não deitar as ferramentas eléctricas e baterias no lixo doméstico
	Bateria de iões de lítio <b>Hilti</b>
	Carregador <b>Hilti</b>

**1.2.3 Símbolos nas figuras**

Em figuras são utilizados os seguintes símbolos:

	Estes números remetem para a figura respectiva no início do presente manual de instruções.
	A numeração nas imagens indica passos de trabalho importantes ou componentes importantes para os passos de trabalho. No texto, estes passos de trabalho ou componentes são realçados com os respectivos números, p. ex. <b>(3)</b> .
	Na figura <b>Vista geral</b> são utilizados números de posição que fazem referência aos números da legenda na secção <b>Vista geral do produto</b> .
	Este símbolo pretende despertar a sua atenção durante o manuseamento do produto.

**1.3 Símbolos dependentes do produto**

**1.3.1 Símbolos no produto**

No produto, podem usar-se os seguintes símbolos:

	Furar sem percussão
	Furar com percussão (furar de martelo)
	Rotação para a direita/esquerda
$n_0$	Velocidade nominal de rotação sem carga
/min	Rotações por minuto
	Corrente contínua
Li-Ion	Bateria de iões de lítio
	Série utilizada da bateria de iões de lítio <b>Hilti</b> . Tenha em atenção as indicações no capítulo <b>Utilização conforme a finalidade projectada</b> .
	Nunca utilize a bateria como ferramenta de percussão.





Não deixe cair a bateria. Não utilize baterias que tenham recebido uma pancada ou que estejam, de outra forma, danificadas.



A ferramenta suporta a tecnologia NFC que é compatível com plataformas iOS e Android.

## 1.4 Dados informativos sobre o produto

Os produtos destinam-se ao utilizador profissional e só podem ser operados, mantidos e reparados por pessoal autorizado, devidamente qualificado. Estas pessoas deverão estar informadas em particular sobre os potenciais perigos. O produto e seu equipamento auxiliar podem representar perigo se usados incorrectamente por pessoas não qualificadas ou se usados para fins diferentes daqueles para os quais foram concebidos.

A designação e o número de série são indicados na placa de características.

- ▶ Registe o número de série na tabela seguinte. Precisa dos dados do produto para colocar questões ao nosso representante ou posto de serviço de atendimento aos clientes.

### Dados do produto

Tipo:	TE 2-A22
Geração:	02
Nº de série:	

## 2 Segurança

### 2.1 Normas de segurança gerais para ferramentas eléctricas

**⚠ AVISO** Leia todas as normas de segurança, instruções, imagens e dados técnicos, com os quais esta ferramenta eléctrica está equipada. O não cumprimento das instruções a seguir pode resultar em choque eléctrico, incêndio e/ou ferimentos graves.

**Guarde bem todas as normas de segurança e instruções para futura referência.**

O termo "ferramenta eléctrica" utilizado nas normas de segurança refere-se a ferramentas com ligação à corrente eléctrica (com cabo de alimentação) ou a ferramentas a bateria (sem cabo).

#### Segurança no posto de trabalho

- ▶ **Mantenha a sua área de trabalho limpa e bem iluminada.** Locais desarrumados ou mal iluminados podem ocasionar acidentes.
- ▶ **Não utilize a ferramenta eléctrica em ambientes explosivos ou na proximidade de líquidos ou gases inflamáveis.** Ferramentas eléctricas produzem faíscas que podem provocar a ignição de pó e vapores.
- ▶ **Mantenha crianças e terceiros afastados durante os trabalhos.** Distacções podem conduzir à perda de controlo sobre a ferramenta.

#### Segurança eléctrica

- ▶ **A ficha da ferramenta eléctrica deve servir na tomada. A ficha não deve ser modificada de modo algum. Não utilize quaisquer adaptadores com ferramentas eléctricas com ligação terra.** Fichas originais (não modificadas) e tomadas adequadas reduzem o risco de choque eléctrico.
- ▶ **Evite o contacto do corpo com superfícies ligadas à terra, como, por exemplo, canos, radiadores, fogões e frigoríficos.** Existe um risco elevado de choque eléctrico se o corpo estiver com ligação à terra.
- ▶ **As ferramentas eléctricas não devem ser expostas à chuva nem à humidade.** A infiltração de água numa ferramenta eléctrica aumenta o risco de choque eléctrico.
- ▶ **Não use o cabo de ligação para transportar, pendurar ou desligar a ferramenta eléctrica da tomada. Mantenha o cabo de ligação afastado de calor, óleo, arestas vivas ou partes em movimento.** Cabos de ligação danificados ou emaranhados aumentam o risco de choque eléctrico.
- ▶ **Quando operar uma ferramenta eléctrica ao ar livre, utilize apenas cabos de extensão próprios para utilização no exterior.** A utilização de um cabo de extensão próprio para utilização no exterior reduz o risco de choques eléctricos.
- ▶ **Utilize um disjuntor diferencial se não puder ser evitada a utilização da ferramenta eléctrica em ambiente húmido.** A utilização de um disjuntor diferencial reduz o risco de choque eléctrico.

#### Segurança física

- ▶ **Esteja alerta, observe o que está a fazer, e tenha prudência ao trabalhar com uma ferramenta eléctrica. Se estiver cansado ou sob influência de drogas, álcool ou medicamentos não efectue**





**nenhum trabalho com ferramentas eléctricas.** Um momento de distração ao operar a ferramenta eléctrica pode causar ferimentos graves.

- ▶ **Use equipamento de segurança. Use sempre óculos de protecção.** Equipamento de segurança, como, por exemplo, máscara antipoeiras, sapatos de segurança antiderrapantes, capacete de segurança ou protecção auricular, de acordo com o tipo e aplicação da ferramenta eléctrica, reduzem o risco de lesões.
- ▶ **Evite um arranque involuntário. Assegure-se de que a ferramenta eléctrica está desligada antes de a ligar à fonte de alimentação e/ou à bateria, pegar nela ou a transportar.** Transportar a ferramenta eléctrica com o dedo no interruptor ou ligar uma ferramenta à tomada com o interruptor ligado (ON) pode resultar em acidentes.
- ▶ **Remova quaisquer chaves de ajuste (chaves de fenda), antes de ligar a ferramenta eléctrica.** Um acessório ou chave deixado preso numa parte rotativa da ferramenta pode causar ferimentos.
- ▶ **Evite posturas corporais desfavoráveis. Mantenha sempre uma posição correcta, em perfeito equilíbrio.** Desta forma será mais fácil manter o controlo sobre a ferramenta eléctrica em situações inesperadas.
- ▶ **Use roupa apropriada. Não use roupa larga ou jóias. Mantenha o cabelo, vestuário e luvas afastados das peças móveis.** Roupas largas, jóias ou cabelos compridos podem ficar presos nas peças móveis.
- ▶ **Se poderem ser montados sistemas de remoção e de recolha de pó, assegure-se de que estes estão ligados e são utilizados correctamente.** A utilização de um sistema de remoção de pó pode reduzir os perigos relacionados com a exposição ao mesmo.
- ▶ **Não se acomode numa falsa sensação de segurança e não ignore os regulamentos de segurança para ferramentas eléctricas, mesmo se estiver familiarizado com a ferramenta eléctrica após numerosas utilizações.** Agir de forma descuidada pode causar ferimentos graves dentro duma fracção de segundo.

#### Utilização e manuseamento da ferramenta eléctrica

- ▶ **Não sobrecarregue a ferramenta. Use para o seu trabalho a ferramenta eléctrica correcta.** Com a ferramenta eléctrica adequada obterá maior eficiência e segurança se respeitar os seus limites.
- ▶ **Não utilize a ferramenta eléctrica se o interruptor estiver defeituoso.** Uma ferramenta eléctrica que já não possa ser accionada pelo interruptor é perigosa e deve ser reparada.
- ▶ **Retire a ficha da tomada e/ou remova uma bateria amovível antes de efectuar ajustes na ferramenta, substituir acessórios ou guardar a ferramenta.** Esta medida preventiva evita o accionamento acidental da ferramenta eléctrica.
- ▶ **Guarde ferramentas eléctricas não utilizadas fora do alcance das crianças. Não permita que a ferramenta seja utilizada por pessoas não familiarizadas com a mesma ou que não tenham lido estas instruções.** Ferramentas eléctricas operadas por pessoas não treinadas são perigosas.
- ▶ **Faça uma manutenção regular de ferramentas eléctricas e acessórios. Verifique se as partes móveis funcionam perfeitamente e não emperram ou se há peças quebradas ou danificadas que possam influenciar o funcionamento da ferramenta eléctrica. Peças danificadas devem ser reparadas antes da utilização da ferramenta.** Muitos acidentes são causados por ferramentas eléctricas com manutenção deficiente.
- ▶ **Mantenha as ferramentas de corte sempre afiadas e limpas.** Acessórios com gumes afiados tratados correctamente emperram menos e são mais fáceis de controlar.
- ▶ **Utilize a ferramenta eléctrica, acessórios, bits, etc., de acordo com estas instruções. Tome também em consideração as condições de trabalho e o trabalho a ser efectuado.** A utilização da ferramenta eléctrica para outros fins além dos previstos, pode ocasionar situações de perigo.
- ▶ **Mantenha punhos e respectivas superfícies secos, limpos e isentos de óleo e gordura.** Punhos e superfícies afins escorregadios não permitem um manuseamento e controlo seguro da ferramenta eléctrica em situações imprevistas.

#### Utilização e manuseamento da ferramenta a bateria

- ▶ **Apenas deverá carregar as baterias em carregadores recomendados pelo fabricante.** Num carregador adequado para um determinado tipo de baterias existe perigo de incêndio se for utilizado para outras baterias.
- ▶ **Nas ferramentas eléctricas utilize apenas as baterias previstas.** A utilização de outras baterias pode causar ferimentos e riscos de incêndio.
- ▶ **Quando a bateria não estiver em uso, mantenha-a afastada de outros objectos de metal, como, por exemplo, cliques, moedas, chaves, pregos, parafusos, ou outros pequenos objectos metálicos que possam ligar em ponte os contactos.** Um curto-circuito entre os contactos da bateria pode causar queimaduras ou incêndio.



- ▶ **Utilizações inadequadas podem provocar derrame do líquido da bateria. Evite o contacto com este líquido. No caso de contacto acidental, enxágue imediatamente com água. Se o líquido entrar em contacto com os olhos, procure auxílio médico.** O líquido que escorre da bateria pode provocar irritações ou queimaduras da pele.
- ▶ **Não utilize uma bateria danificada ou modificada.** Baterias danificadas ou modificadas podem ter um comportamento imprevisível e causar fogo, explosão ou risco de ferimentos.
- ▶ **Não exponha uma bateria ao fogo ou a temperaturas excessivas.** Fogo e temperaturas superiores a 130 °C (265 °F) podem provocar uma explosão.
- ▶ **Cumpra todas as instruções sobre o carregamento e nunca carregue a bateria ou a ferramenta a bateria fora da faixa de temperaturas indicada no manual de instruções.** O carregamento errado ou fora da faixa de temperaturas permitida pode destruir a bateria e aumentar o risco de incêndio.

### Manutenção

- ▶ **A sua ferramenta eléctrica só deve ser reparada por pessoal qualificado e só devem ser utilizadas peças sobressalentes originais.** Isto assegurará que a segurança da ferramenta se mantenha.
- ▶ **Nunca faça a manutenção de baterias danificadas.** Qualquer manutenção de baterias só deverá ser realizada pelo fabricante ou serviços de assistência técnica autorizados.

## 2.2 Normas de segurança para martelos

### Indicações de segurança para todos os trabalhos

- ▶ **Use protecção auricular.** Ruído em excesso pode levar à perda de audição.
- ▶ **Utilize os punhos auxiliares fornecidos com a ferramenta.** A perda de controlo da ferramenta pode causar ferimentos.
- ▶ **Segure a ferramenta apenas pelas áreas isoladas dos punhos quando executar trabalhos onde o acessório pode encontrar cabos eléctricos encobertos.** O contacto com um cabo sob tensão também pode colocar partes metálicas da ferramenta sob tensão e causar um choque eléctrico.

### Indicações de segurança em caso de utilização de brocas compridas

- ▶ **Inicie o processo de perfuração sempre a baixas rotações e enquanto a broca estiver em contacto com a peça a trabalhar.** Se trabalhar com velocidades maiores, a broca poderá deformar-se ligeiramente, se poder rodar livremente, sem contacto com a peça a trabalhar, dando origem a ferimentos.
- ▶ **Não aplique uma pressão excessiva e apenas no sentido longitudinal relativamente à broca.** As brocas podem deformar-se e, deste modo, partir ou originar uma perda de controlo, dando origem a ferimentos.

## 2.3 Normas de segurança adicionais do martelo perfurador

### Segurança física

- ▶ Utilize o produto e os acessórios somente se estiverem em perfeitas condições técnicas.
- ▶ Nunca efectue quaisquer manipulações ou modificações no produto ou nos acessórios.
- ▶ Utilize os punhos adicionais fornecidos com o produto. A perda de controlo da ferramenta pode causar ferimentos.
- ▶ Ao realizar trabalhos de perfuração, vede a área que se encontra do lado oposto dos trabalhos. Restos de demolição podem desprender-se e/ou cair e ferir outras pessoas.
- ▶ Segure o produto sempre com as duas mãos nos punhos previstos para o efeito. Mantenha os punhos secos e limpos.
- ▶ Segure o produto apenas pelas áreas isoladas dos punhos, quando executar trabalhos em que o acessório possa encontrar cabos eléctricos encobertos. O contacto com um cabo sob tensão também pode colocar partes metálicas da ferramenta sob tensão e causar um choque eléctrico.
- ▶ Evite o contacto com peças rotativas - risco de ferimentos!
- ▶ Use óculos de protecção, capacete de segurança, protecção auricular e protecção respiratória adequada durante a utilização do produto.
- ▶ Use luvas de protecção durante a substituição de acessórios. Tocar no acessório pode causar ferimentos por corte e queimaduras.
- ▶ Utilize óculos de protecção. Os estilhaços podem provocar ferimentos corporais, nomeadamente nos olhos.



- ▶ Pó produzido ao rectificar, lixar, cortar e furar pode conter produtos químicos perigosos. Alguns exemplos são: Chumbo ou tintas à base de chumbo; Tijolo, betão e outros produtos de alvenaria, pedra natural e outros produtos que contenham silicatos; Determinadas madeiras, como carvalho, faia e madeira tratada quimicamente; Amianto ou materiais contendo amianto. Determine a exposição do operador e das pessoas que se encontrem nas proximidades através da classe de perigo dos materiais a serem trabalhados. Tome as medidas necessárias para manter a exposição a um nível seguro como, por ex., a utilização de um sistema colector de pó ou o uso de uma protecção respiratória adequada. As medidas gerais para redução da exposição incluem:
  - ▶ Trabalhar num local bem ventilado,
  - ▶ Evitar o contacto prolongado com pó,
  - ▶ Afastar o pó do rosto e do corpo,
  - ▶ Usar roupa de protecção e lavar áreas expostas com água e sabão.
- ▶ Faça frequentemente pausas e exercícios para melhorar a circulação sanguínea nos dedos. Os trabalhos mais longos, devido às intensas vibrações, podem causar distúrbios nos vasos sanguíneos ou no sistema nervoso dos dedos, mãos ou pulsos.

### Segurança eléctrica

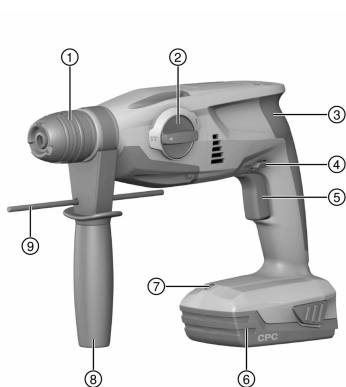
- ▶ Antes de iniciar os trabalhos, verifique o local de trabalho relativamente a cabos eléctricos encobertos, bem como tubos de gás e água. Partes metálicas externas do produto podem causar um choque eléctrico ou uma explosão se, inadvertidamente, danificarem uma linha eléctrica, um cano de gás ou de água.

### Utilização e manutenção de ferramentas eléctricas

- ▶ Desligue imediatamente o produto, caso o acessório bloqueie. O produto pode desviar-se para os lados.
- ▶ Aguarde até que o produto esteja parado, antes de o pousar.

## 3 Descrição

### 3.1 Componentes, comandos operativos e elementos de indicação



- ① Porta-ferramentas
- ② Selector de funções
- ③ Comutador de rotação direita/esquerda
- ④ Interruptor on/off
- ⑤ Botões de destravamento da bateria
- ⑥ Bateria
- ⑦ Punho
- ⑧ Punho auxiliar
- ⑨ LED
- ⑩ Limitador de profundidade



This Product is Certified  
Ce produit est homologué  
Producto homologado por  
Este producto está registrado



**3.2 Utilização correcta**

O produto descrito é um martelo perfurador a bateria. Está concebido para perfurar aço e alvenaria, para perfurar com percussão em betão e alvenaria e para apertar e desapertar parafusos.

- Para este produto, utilize apenas as baterias de iões de lítio **Hilti** da série B 22.
- Utilize apenas carregadores aprovados pela **Hilti** para estas baterias. Pode encontrar mais informações na sua **Hilti Store** ou em: [www.hilti.group](http://www.hilti.group)

**3.3 Indicador da bateria de iões de lítio**

Caso se utilize a bateria de iões de lítio, o estado de carga pode ser visualizado pressionando levemente um dos botões de destravamento.

Estado	Significado
4 LED acendem.	Estado de carga: 75% a 100%
3 LED acendem.	Estado de carga: 50% a 75%
2 LED acendem.	Estado de carga: 25% a 50%
1 LED acende.	Estado de carga: 10% a 25%
1 LED pisca.	Estado de carga: < 10%

Não é possível a consulta do estado de carga durante e imediatamente a seguir aos trabalhos. Se os LED da indicação do estado de carga da bateria estiverem a piscar, leia as indicações no capítulo Avarias possíveis.

**3.4 Incluído no fornecimento**

Martelo perfurador, punho auxiliar, limitador de profundidade, manual de instruções.

O módulo aspirador de pó TE DRS-S é disponibilizado como acessório para a realização de trabalhos sem produzir muito pó.

Poderá encontrar outros produtos de sistema aprovados para o seu produto na sua **Hilti Store** ou em: [www.hilti.group](http://www.hilti.group)

**4 Características técnicas****4.1 Martelo perfurador**

	<b>TE 2-A22</b>
<b>Tensão nominal</b>	21,6 V
<b>Peso incluindo bateria B22/8.0</b>	7,3 lb (3,3 kg)
<b>Diâmetro das brocas para furar em betão/alvenaria (perfurar com percussão)</b>	1/8 in ... 5/8 in
<b>Diâmetro das brocas para furar em metal (broca de secção completa)</b>	0 in ... 3/8 in
<b>Comprimento máximo do limitador de profundidade</b>	7 in

**4.2 Bateria**

<b>Tensão de serviço da bateria</b>	21,6 V
<b>Temperatura ambiente durante o funcionamento</b>	1 °F ... 140 °F (-17 °C ... 60 °C)
<b>Temperatura de armazenagem</b>	-4 °F ... 104 °F (-20 °C ... 40 °C)
<b>Temperatura da bateria no início do carregamento</b>	14 °F ... 113 °F (-10 °C ... 45 °C)



## 5 Utilização

### 5.1 Preparação do local de trabalho

#### AVISO

##### Risco de ferimentos devido a arranque involuntário!

- ▶ Antes de encaixar a bateria, certifique-se de que o produto correspondente está desligado.
- ▶ Remova a bateria, antes de efectuar ajustes na ferramenta ou substituir acessórios.

Tenha em atenção as instruções de segurança e as advertências nesta documentação e no produto.

#### 5.1.1 Montagem do punho auxiliar

1. Rode o punho para soltar a abraçadeira (cinta de aperto) do punho auxiliar.
2. Deslize a abraçadeira (cinta de aperto) a partir da frente sobre o mandril até à ranhura prevista para o efeito.
3. Coloque o punho auxiliar na posição desejada.
4. Rode o punho para apertar a abraçadeira (cinta de aperto) do punho auxiliar.

#### 5.1.2 Encaixar a bateria

1. Insira a bateria no suporte da ferramenta, até engatar de forma audível.
2. Verifique se a bateria está correctamente encaixada.

#### 5.1.3 Retirar a bateria

1. Pressione os botões de destravamento da bateria.
2. Extraia a bateria para trás.

#### 5.1.4 Colocar o acessório

1. Lubrifique ligeiramente o encabadouro do acessório.
  - ▶ Utilize apenas massa lubrificante original da Hilti. Um massa lubrificante errada pode provocar danos na ferramenta.
2. Encaixe o acessório até ao encosto no porta-ferramentas e deixe-o engatar.
3. Depois de colocada, tente puxar a broca para fora do mandril, verificando assim se está bem fixa.
  - ▶ O produto está operacional.

#### 5.1.5 Retirar o acessório

#### CUIDADO

##### Perigo de ferimentos devido ao acessório! O acessório pode estar quente ou com arestas vivas.

- ▶ Use luvas de protecção ao mudar o acessório.
- 
- ▶ Puxe o bloqueio da ferramenta para trás, até ao batente, e retire o acessório.

#### 5.1.6 Colocar o limitador de profundidade (opcional)

1. Rode o punho para soltar a abraçadeira (cinta de aperto) do punho auxiliar.
2. Empurre o limitador de profundidade a partir da frente nos 2 furos de guia previstos para o efeito.
3. Rode o punho para apertar a abraçadeira (cinta de aperto) do punho auxiliar.

### 5.2 Trabalhar

#### CUIDADO

##### Perigo de danos devido a manuseamento errado!

- ▶ Não accione os interruptores para o sentido de rotação e/ou selecção de função durante o funcionamento.

Tenha em atenção as instruções de segurança e as advertências nesta documentação e no produto.

#### 5.2.1 Iluminação do posto de trabalho



O LED é activado automaticamente ao accionar o interruptor on/off. Depois de soltar o interruptor on/off, o LED apaga lentamente.




- ▶ Pressione o interruptor on/off.


### 5.2.2 Sentido de rotação

- ▶ Ajuste o sentido de rotação.
  - ▶ O interruptor engata nesta posição.

### 5.2.3 Perfurar sem percussão

- ▶ Coloque o selector de funções neste símbolo: .

### 5.2.4 Perfurar de martelo

- ▶ Coloque o selector de funções neste símbolo: .

## 6 Conservação e manutenção

### 6.1 Conservação e manutenção



#### AVISO

#### Risco de lesão com a bateria encaixada !

- ▶ Retire sempre a bateria antes de todos os trabalhos de conservação e manutenção!

#### Conservação do produto

- Remova sujidade persistente com cuidado.
- Se existente, limpe as saídas de ar cuidadosamente com uma escova seca e macia.
- Limpe a carcaça apenas com um pano ligeiramente húmido. Não utilize produtos de conservação que contenham silicone, uma vez que estes podem danificar os componentes de plástico.
- Utilize um pano limpo e seco, para limpar os contactos do produto.

#### Conservação das baterias de íões de lítio

- Nunca utilize uma bateria com as saídas de ar obstruídas. Limpe as saídas de ar cuidadosamente com uma escova seca e macia.
- Evite que a bateria seja exposta desnecessariamente a pó ou sujidade. Nunca exponha a bateria a humidade elevada (por ex., mergulhar em água ou deixar à chuva).  
Se uma bateria tiver ficado encharcada, trate-a como uma bateria danificada. Isole-a num recipiente não inflamável e contacte o Centro de Assistência Técnica **Hilti**.
- Mantenha a bateria sem resíduos de óleo e massa consistente externos. Não permita que se acumule desnecessariamente pó ou sujidade sobre a bateria. Limpe a bateria com uma escova seca e macia ou um pano limpo e seco. Não utilize produtos de conservação que contenham silicone, uma vez que estes podem danificar os componentes de plástico.  
Não toque nos contactos da bateria nem remova dos contactos a massa consistente aplicada de fábrica.
- Limpe a carcaça apenas com um pano ligeiramente húmido. Não utilize produtos de conservação que contenham silicone, uma vez que estes podem danificar os componentes de plástico.

#### Manutenção

- Verifique, regularmente, todos os componentes visíveis quanto a danos e os comandos operativos quanto a funcionamento perfeito.
- Não opere o produto se existirem danos e/ou perturbações de funcionamento. Mandar reparar o produto imediatamente no Centro de Assistência Técnica **Hilti**.
- Após os trabalhos de conservação e manutenção, aplique todos os dispositivos de protecção e verifique se funcionam correctamente.



Para um funcionamento seguro, utilize apenas peças sobresselentes e consumíveis originais. Poderá encontrar peças sobresselentes, consumíveis e acessórios aprovados pela **Hilti** para o seu produto na sua **Hilti Store** ou em: [www.hilti.group](http://www.hilti.group)

### 6.2 Limpeza da capa protectora contra pó

- ▶ Limpe periodicamente a capa protectora contra pó no porta-ferramentas com um pano limpo e seco.
- ▶ Limpe o vedante eunte-o com uma leve camada de massa **Hilti**.
- ▶ Substitua impreterivelmente a capa protectora contra pó se o vedante estiver danificado.



## 7 Transporte e armazenamento

### 7.1 Transporte e armazenamento de ferramentas a bateria e baterias

#### Transporte

##### CUIDADO

#### Arranque inadvertido durante o transporte !

- ▶ Transporte os seus produtos sempre sem as baterias colocadas!
- ▶ Retire a/as bateria(s).
- ▶ Nunca transporte as baterias sem embalagem. Durante o transporte, as baterias devem ser protegidas contra impactos e vibrações excessivos e isoladas de quaisquer materiais condutores ou outras baterias, para que não entrem em contacto com os pólos de outras baterias e causem um curto-circuito. **Observe as suas normas de transporte locais para baterias.**
- ▶ As baterias não devem ser enviadas por correio. Quando pretender enviar baterias não danificadas, contacte uma empresa transportadora.
- ▶ Verifique o produto e as baterias quanto a danos antes de cada utilização, bem como antes e depois de longos períodos de transporte.

#### Armazenamento

##### AVISO

#### Dano accidental devido a baterias com defeito ou a perderem líquido !

- ▶ Armazene os seus produtos sempre sem as baterias colocadas!
- ▶ Guarde o produto e as baterias em lugar fresco e seco. Tenha em atenção os valores limite de temperatura, que estão indicados nas Características técnicas.
- ▶ Não guarde as baterias no carregador. Após o processo de carregamento, retire sempre a bateria do carregador.
- ▶ Nunca armazene as baterias em locais sujeitos a exposição solar, em cima de fontes de calor ou por trás de um vidro.
- ▶ Guarde o produto e as baterias fora do alcance das crianças e das pessoas não autorizadas.
- ▶ Verifique o produto e as baterias quanto a danos antes de cada utilização, bem como antes e depois de longos períodos de armazenamento.

## 8 Localização de avarias

### 8.1 Ajuda em caso de avarias

No caso de avarias que não sejam mencionadas nesta tabela ou se não conseguir resolvê-las por si mesmo, contacte o nosso Centro de Assistência Técnica **Hilti**.


### 8.2 O martelo perfurador não está pronto a funcionar

Avaria	Causa possível	Solução
O martelo perfurador não arranca.	Martelo perfurador sobrecarregado.	▶ Desligue o martelo perfurador, retire a bateria e não continue a utilizar o martelo perfurador.
Os LED não indicam nada.	A bateria não está completamente encaixada.	▶ Encaixe a bateria com um duplo clique.
	Bateria descarregada.	▶ Substitua a bateria e carregue a bateria descarregada.
	Bateria demasiado quente ou demasiado fria.	▶ Deixe que a bateria atinja a temperatura de funcionamento recomendada.
Pisca 1 LED.	Bateria descarregada.	▶ Substitua a bateria e carregue a bateria descarregada.
	Bateria demasiado quente ou demasiado fria.	▶ Deixe que a bateria atinja a temperatura de funcionamento recomendada.




Avaria	Causa possível	Solução
Piscam 4 LED.	Martelo perfurador temporariamente sobrecarregado.	▶ Solte o interruptor on/off e volte a accioná-lo.
	Disjuntor térmico.	▶ Deixe o martelo perfurador arrefecer e limpe as saídas de ar.

### 8.3 O martelo perfurador está pronto a funcionar

Avaria	Causa possível	Solução
Não tem percussão.	Martelo perfurador demasiado frio.	▶ Coloque o martelo perfurador sobre a base e deixe-o trabalhar em vazio. Se necessário, repita, até o mecanismo de percussão trabalhar.
	Selector de funções na posição "Perfurar sem percussão"  .	▶ Coloque o selector de funções na posição "Perfurar com percussão"  .
Não é possível pressionar o interruptor on/off ou ele está bloqueado.	Comutador de rotação para a direita/esquerda na posição central.	▶ Pressione o comutador de rotação direita/esquerda para a direita ou a esquerda.
O fuso da ferramenta não roda.	Foi excedida a temperatura de funcionamento permitida do sistema electrónico do martelo perfurador.	▶ Deixe o martelo perfurador arrefecer.
	Bateria descarregada.	▶ Substitua a bateria e carregue a bateria descarregada.
O martelo perfurador desliga-se automaticamente.	A protecção contra sobrecarga reage.	▶ Solte o interruptor on/off. Deixe o martelo perfurador arrefecer. Accione novamente o interruptor on/off. Reduza a carga da ferramenta.
A bateria descarrega-se mais depressa do que habitualmente.	O estado da bateria não é o ideal.	▶ Substitua a bateria.
A bateria não encaixa com duplo clique audível.	Sujidade nos encaixes da bateria.	▶ Limpe as patilhas de fixação e volte a encaixar a bateria.
O martelo perfurador ou a bateria aquece demasiado.	Avaria eléctrica	▶ Desligue imediatamente o martelo perfurador. Retire a bateria e observe-a. Deixe-a arrefecer. Contacte um Centro de Assistência Técnica <b>Hilti</b> .
	Martelo perfurador sobrecarregado (limite de aplicação excedido).	▶ Selecione uma ferramenta correcta em função da utilização.
O acessório ficou preso no mandril.	O porta-ferramentas não está completamente puxado para trás.	▶ Puxe o bloqueio da ferramenta para trás, até ao encosto, e retire a ferramenta.
O acessório não avança.	Martelo perfurador na posição de rotação para a esquerda.	▶ Coloque o comutador de rotação na posição de rotação para a direita.

## 9 Reciclagem

 As ferramentas **Hilti** são, em grande parte, fabricadas com materiais recicláveis. Um pré-requisito para a reciclagem é que esses materiais sejam devidamente separados. Em muitos países, a **Hilti** aceita a sua ferramenta usada para reutilização. Para mais informações dirija-se ao Serviço de Clientes **Hilti** ou ao seu vendedor.







- ▶ Não deite as ferramentas eléctricas, aparelhos electrónicos e baterias no lixo doméstico!

---

## 10 Garantia do fabricante

---

- ▶ Se tiver dúvidas em relação às condições de garantia, contacte o seu parceiro **Hilti** local.

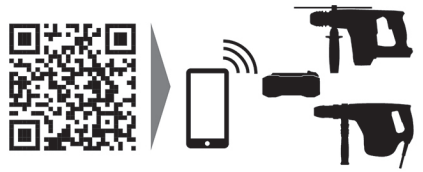








Hilti Corporation  
LI-9494 Schaan  
Tel.:+423 234 21 11  
Fax:+423 234 29 65  
[www.hilti.group](http://www.hilti.group)



2153711