

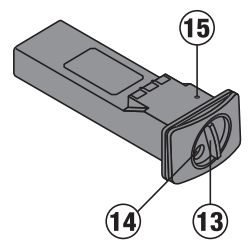
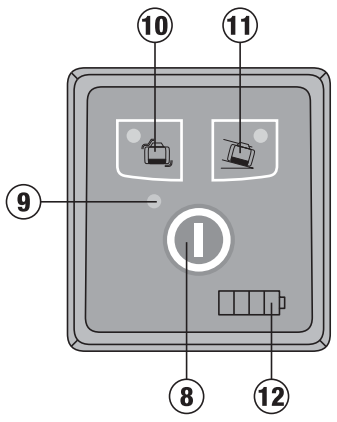
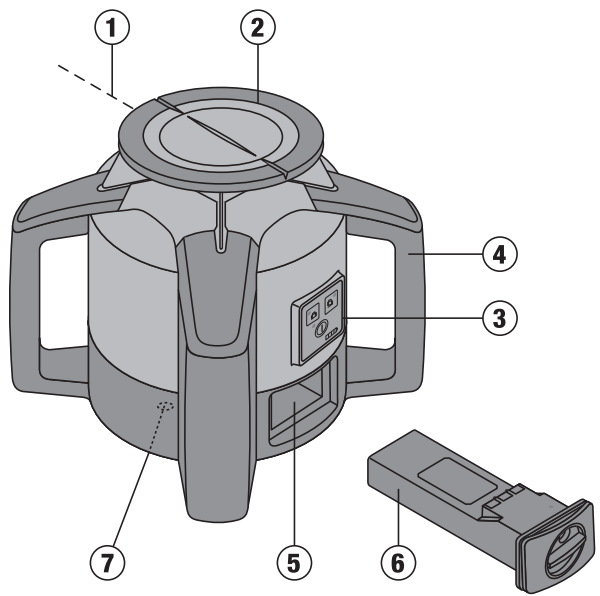
HILTI

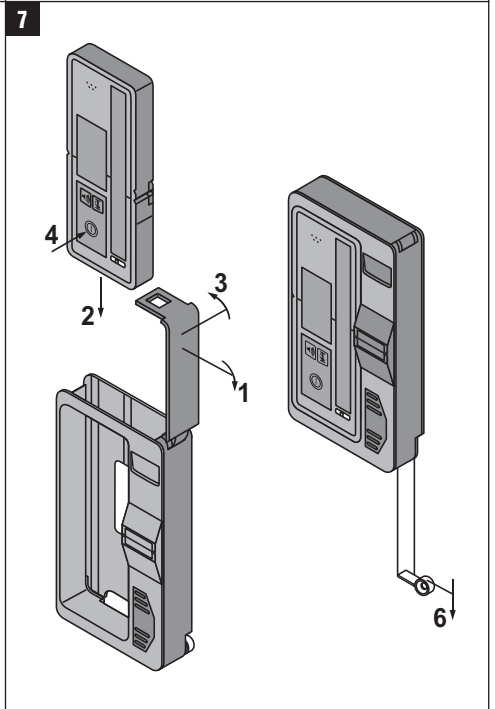
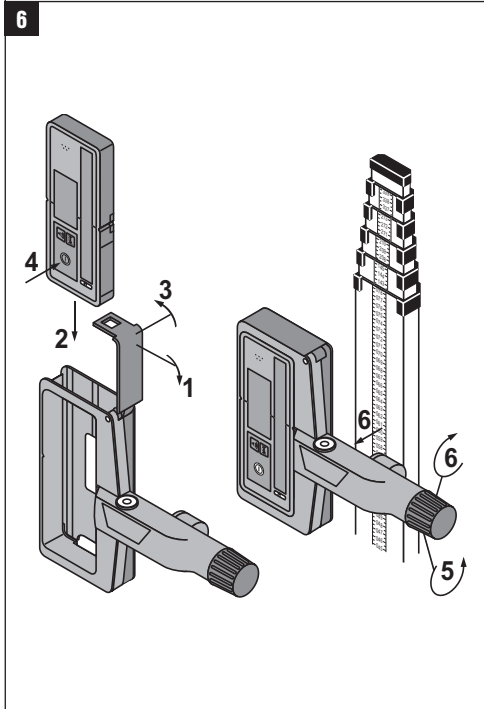
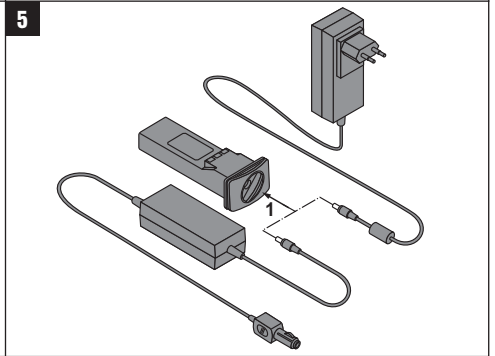
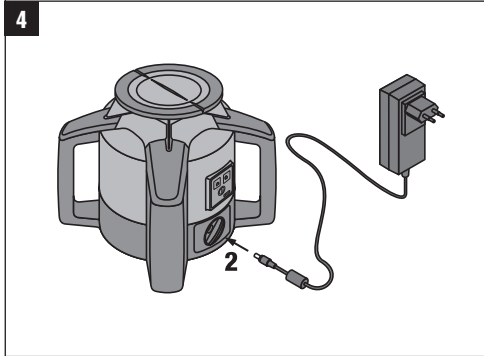
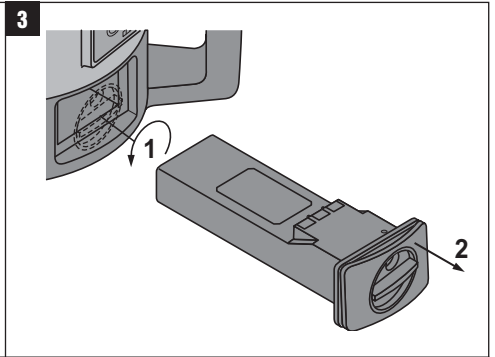
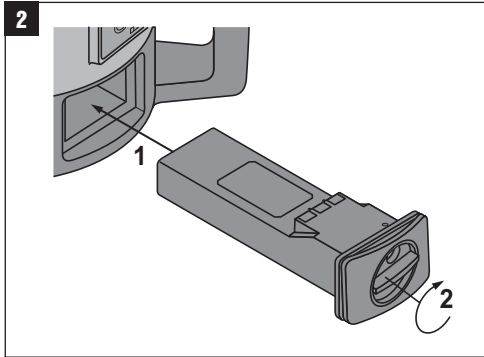
PRE 3



Bedienungsanleitung	de
Operating instructions	en
Mode d'emploi	fr
Istruzioni d'uso	it
Manual de instrucciones	es
Manual de instruções	pt
Gebruiksaanwijzing	nl
Brugsanvisning	da
Bruksanvisning	sv
Bruksanvisning	no
Käyttöohje	fi
Οδηγίες χρήσεως	el
Használati utasítás	hu
Instrukcja obsługi	pl
Инструкция по эксплуатации	ru
Návod k obsluze	cs
Návod na obsluhu	sk
Upute za uporabu	hr
Navodila za uporabo	sl
Ръководство за обслужване	bg
Instrucțiuni de utilizare	ro
Kullanma Talimatı	tr
دليل الاستعمال	ar
Lietošanas pamācība	lv
Instrukcija	lt
Kasutusjuhend	et
ІНСТРУКЦІЯ З ЕКСПЛУАТАЦІЇ	uk
取扱説明書	ja
사용설명서	ko
操作说明书	cn







ORIGINAL OPERATING INSTRUCTIONS

PRE 3 rotating laser

en

It is essential that the operating instructions are read before the tool is operated for the first time.

Always keep these operating instructions together with the tool.

Ensure that the operating instructions are with the tool when it is given to other persons.

Contents	Page
1 General information	12
2 Description	13
3 Accessories	15
4 Technical data	15
5 Safety instructions	16
6 Before use	17
7 Operation	18
8 Care and maintenance	19
9 Disposal	20
10 Manufacturer's warranty - tools	21
11 FCC statement (applicable in US) / IC statement (applicable in Canada)	21
12 EC declaration of conformity (original)	22

1 These numbers refer to the corresponding illustrations. The illustrations can be found on the fold-out cover pages. Keep these pages open while studying the operating instructions.

In these operating instructions, the designation "the tool" always refers to the PRE 3 rotating laser.

Parts, operating controls and indicators **1**

PRE 3 rotating laser

- 1 Laser beam (plane of rotation)
- 2 Rotating head
- 3 Control panel, display
- 4 Grip
- 5 Battery compartment
- 6 Li-ion battery
- 7 Base plate with $\frac{5}{8}$ " thread

PRE 3 control panel

- 8 On/off button
- 9 Auto-leveling LED
- 10 Shock warning deactivation LED
- 11 Inclination angle LED
- 12 Battery status indicator

PRA 84 battery

- 13 Catch
- 14 Charging cord socket
- 15 Battery status indicator LED

1 General information

1.1 Safety notices and their meaning

DANGER

Draws attention to imminent danger that will lead to serious bodily injury or fatality.

WARNING

Draws attention to a potentially dangerous situation that could lead to serious personal injury or fatality.

CAUTION

Draws attention to a potentially dangerous situation that could lead to slight personal injury or damage to the equipment or other property.

NOTE

Draws attention to an instruction or other useful information.

1.2 Explanation of the pictograms and other information

Symbols



Read the operating instructions before use.



General warning

/min

Revolutions per minute



Return waste material for recycling.



Do not look into the beam.

Symbol for Laser Class II / Class 2



Laser class II
according to
CFR 21, § 1040
(FDA)

Laser class 2
according to
EN 60825-
3:2007

Location of identification data on the tool

The type designation and serial number can be found on the type identification plate on the tool. Make a note of this data in your operating instructions and always refer to it when making an enquiry to your Hilti representative or service department.

Type: _____

Generation: 01 _____

Serial no.: _____

en

2 Description

2.1 Use of the product as directed

The Hilti PRE 3 is a rotating laser tool that emits a rotating laser beam. The tool is designed to be used for determining, transferring and checking reference levels in the horizontal plane. Examples of uses are the transferring of datum lines and heights. Use of tools or mains adapters which show visible signs of damage is not permissible. Operation outdoors or in damp conditions in "Charging during operation mode" is not permissible. Hilti supplies various accessories which allow the tool to be used with maximum efficiency. The tool and its ancillary equipment may present hazards when used incorrectly by untrained personnel or when used not as directed. To avoid the risk of injury, use only genuine Hilti accessories and insert tools. Observe the information printed in the operating instructions concerning operation, care and maintenance. Take the influences of the surrounding area into account. Do not use the appliance where there is a risk of fire or explosion. Modification of the tool is not permissible.

2.2 Features

Using the tool, a single person can level and align in all planes very quickly and with great accuracy (tool used in conjunction with the PRA 30 laser receiver). The preset speed of rotation is 300 U/min (r.p.m.). The tool levels itself automatically after it is switched on (automatic leveling within an inclination of $10^\circ(\pm 5^\circ)$). LEDs indicate the tool's current operating status. The PRE 3 is easy to set up and operate and features a rugged casing. The tool is powered by a rechargeable Li-ion battery which can be charged while the tool is in operation.

2.3 Horizontal plane

After switching on, the tool levels itself automatically by way of 2 built-in servo motors.

2.4 Inclined plane (manual alignment in the desired plane of inclination)

The desired inclination can be set with the aid of the PRA 78 slope adapter. For further information on using the slope adapter, please refer to the instruction sheet supplied with the PRA 78.

2.5 Shock warning

The built-in shock warning function (becomes active one minute after completion of auto-leveling). The tool goes into warning mode if it is knocked off level (due to vibration or impact) while in operation: all LEDs blink; the head of the laser stops rotating; The laser beam is switched off.

2.6 Automatic cut-out

The laser does not switch on and all LEDs blink if the tool is set up outside its self-levelling range or movement is blocked mechanically. The tool can be set up on a tripod with a 5/8" thread or stood directly on some other steady surface (free of vibration). When automatic leveling is activated for one or both axes, the built-in servo system ensures that the specified accuracy is maintained. The tool switches itself off when automatic leveling cannot be achieved (tool

set up outside its leveling range or physical impediment of the mechanism) or when knocked off level (see “Shock warning” section).

NOTE

If the correct level cannot be achieved, the laser switches itself off and all LEDs blink.

2.7 Items supplied

- 1 PRE 3 rotating laser
- 1 PRA 30 laser receiver
- 1 PRA 80 laser receiver holder
- 1 PRE 3 operating instructions
- 1 PRA 30 operating instructions
- 1 PRA 84 battery
- 1 PRA 85 mains adapter
- 2 Batteries (size AA cells)
- 2 Manufacturer’s certificates
- 1 Hilti toolbox

2.8 Operating status indicators

The tool is equipped with the following operating status indicators: auto-leveling LED, inclination angle LED and shock warning LED.

2.9 LED indicators

Auto-leveling LED	The green LED blinks.	The tool is in the leveling phase.
	The green LED lights constantly.	The tool has leveled itself / is operating normally.
Shock warning LED	The shock warning LED lights orange.	The LED lights orange after deactivation of the shock warning.
Inclination indicator	The orange LED lights constantly.	The inclination angle LED indicates that the manual inclination function is active.
All LEDs	All LEDs blink.	The tool has been bumped or brought out of level.

2.10 Charge status of the Li-ion battery during operation

LEDs light constantly	LEDs blink	Charge status C
LED 1,2,3,4	-	$C \geq 75 \%$
LED 1,2,3	-	$50 \% \leq C < 75 \%$
LED 1,2	-	$25 \% \leq C < 50 \%$
LED 1	-	$10 \% \leq C < 25 \%$
-	LED 1	$C < 10 \%$

2.11 Charge status of the Li-ion battery during charging while fitted to the tool

LEDs light constantly	LEDs blink	Charge status C
LED 1,2,3,4	-	= 100%
LED 1,2,3	LED 4	$75 \% \leq C < 100 \%$
LED 1,2	LED 3	$50 \% \leq C < 75 \%$
LED 1	LED 2	$25 \% \leq C < 50 \%$
-	LED 1	$C < 25 \%$

2.12 Charge status of the Li-ion battery during charging while not fitted to the tool

If the red LED lights constantly, the battery is being charged.

If the red LED doesn't light, the battery is fully charged.

3 Accessories

Designation	Short designation
Various tripods	PUA 20, PA 921, PUA 30 and PA 931/2
Telescopic staffs	PA 950/960, PA 951/961, PA 962 and PUA 50
Slope adapter	PRA 78
Car charging connector	PRA 86
Height transfer device	PRA 81

en

4 Technical data

Right of technical changes reserved.

PRE 3

Receiving range (diameter)	With PRA 30 laser receiver: 2...400 m (6 to 1300 ft)
Accuracy	per 10 m (± 0.5 mm) horizontal distance 0.5 mm (0.02" in 32 ft, +75° F), temperature 24°C
Laser class	Class 2, visible, 635 nm, < 1 mW (EN 60825-3:2007 / IEC 60825 - 3:2007); class II (CFR 21 § 1040 (FDA))
Speed of rotation	300/min \pm 10%
Self-leveling range	10° ($\pm 5^\circ$)
Power source	7.2V/ 4.5 Ah Li-ion battery
Battery life	Temperature +20°C (+68°F), Li-ion battery: \geq 40 h
Operating temperature range	-20... +50°C (-4°F to 122°F)
Storage temperature range (dry)	-25... +60°C (-13°F to 140°F)
Protection class	IP 56 (in accordance with IEC 60529) (not in "charging during operation" mode)
Tripod thread	5/8" X 18
Weight (including battery)	2.4 kg (5.3 lbs)
Dimensions (L x W x H)	252 mm X 252 mm X 201 mm (10" x 10" x 8")

PRA 84 Li-ion battery

Rated voltage (normal mode)	7.2 V
Maximum voltage (during operation or during charging while in operation)	13 V
Rated current	120 mA
Charging time	2 h / +32°C / Battery is 80% charged
Operating temperature range	-20... +50°C (-4°F to 122°F)
Storage temperature range (dry)	-25... +60°C (-13°F to 140°F)
Charging temperature range (also for charging during operation)	+0... +40°C (32° to +104°F)
Weight	0.3 kg (0.67 lbs)
Dimensions (L x W x H)	160 mm X 45 mm X 36 mm (6.3" x 1.8" x 1.4")

PRA 85 mains adapter

Mains supply	115...230 V
Mains frequency	47...63 Hz
Rated power	40 W
Rated voltage	12 V
Operating temperature range	+0...+40°C (32°F to +104°F)
Storage temperature range (dry)	-25...+60°C (-13°F to 140°F)
Weight	0.23 kg (0.51 lbs)
Dimensions (L x W x H)	110 mm X 50 mm X 32 mm (4.3" x 2" x 1.3")

5 Safety instructions

5.1 Basic information concerning safety

In addition to the information relevant to safety given in each of the sections of these operating instructions, the following points must be strictly observed at all times.

5.2 General safety rules

- Do not render safety devices ineffective and do not remove information and warning notices.**
- Keep laser tools out of reach of children.**
- Failure to follow the correct procedures when opening the tool may cause emission of laser radiation in excess of class 2 or, respectively, class 3. **Have the tool repaired only at a Hilti service center.**
- Take the influences of the surrounding area into account. Do not use the tool where there is a risk of fire or explosion.**
- (Statement in accordance with FCC §15.21): Changes or modifications not expressly approved by the manufacturer can void the user's authority to operate the equipment.

5.3 Proper organization of the work area

- Secure the area in which you are working and take care to avoid directing the beam towards other persons or towards yourself when setting up the tool.**
- Avoid unfavorable body positions when working from ladders. Make sure you work from a safe stance and stay in balance at all times.**
- Measurements taken through or from panes of glass or through other objects may be inaccurate.
- Ensure that the tool is set up on a steady, level surface (not subject to vibration).**
- Use the tool only within its specified limits.**
- When working in "charging during operation" mode, attach the mains adapter in a secure position, e.g. on a tripod.**
- Use the appliance and its accessories etc. in accordance with these instructions and in the manner intended for the particular type of appliance. Take the working conditions and the work to be performed into account. Use of appliances for ap-**

plications different from those intended could result in a hazardous situation.

- Use of the telescopic staff in the vicinity of overhead high voltage cables is not permissible.**

5.3.1 Electromagnetic compatibility

Although the tool complies with the strict requirements of the applicable directives, Hilti cannot entirely rule out the possibility of the tool being subject to interference caused by powerful electromagnetic radiation, leading to incorrect operation. Check the accuracy of the tool by taking measurements by other means when working under such conditions or if you are unsure. Likewise, Hilti cannot rule out the possibility of interference with other devices (e.g. aircraft navigation equipment).

5.3.2 Laser classification for laser class II appliances

Depending on the version purchased, the tool complies with Laser Class 2 in accordance with IEC825-3:2007 / EN60825-3:2007 and Class II in accordance with CFR 21 § 1040 (FDA). This tool may be used without need for further protective measures. The eyelid closure reflex protects the eyes when a person looks into the beam unintentionally for a brief moment. This eyelid closure reflex, however, may be negatively affected by medicines, alcohol or drugs. Nevertheless, as with the sun, one should not look directly into sources of bright light. Do not direct the laser beam toward persons.

5.4 General safety rules



- Check the condition of the tool before use. If the tool is found to be damaged, have it repaired at a Hilti service center.**
- The user must check the accuracy of the tool after it has been dropped or subjected to other mechanical stresses.**

- c) When the tool is brought into a warm environment from very cold conditions, or vice-versa, allow it to become acclimatized before use.
- d) If mounting on an adapter, check that the tool is screwed on securely.
- e) Keep the laser exit aperture clean to avoid measurement errors.
- f) Although the tool is designed for the tough conditions of jobsite use, as with other optical and electronic instruments (e.g. binoculars, spectacles, cameras) it should be treated with care.
- g) Although the tool is protected to prevent entry of dampness, it should be wiped dry each time before being put away in its transport container.
- h) Check the tool before using it for important measuring work.
- i) Check the accuracy of the measurements several times during use of the tool.
- j) Use the mains adapter only for connecting to the mains supply.
- k) Check to ensure that the tool and mains adapter do not present an obstacle that could lead to a risk of tripping and personal injury.
- l) Ensure that the workplace is well lit.
- m) Avoid body contact with earthed or grounded surfaces, such as pipes, radiators, ranges and refrigerators. There is an increased risk of electric shock if your body is earthed or grounded.
- n) Check the condition of the extension cord and replace it if damage is found. Do not touch the mains adapter if the extension cord or mains adapter are damaged while working. Disconnect the supply cord plug from the power outlet. Damaged supply cords or extension cords present a risk of electric shock.
- o) Do not expose the supply cord to heat, oil or sharp edges.
- p) Never operate the mains adapter when it is dirty or wet. Dust (especially dust from conductive ma-

terials) or dampness adhering to the surface of the mains adapter may, under unfavorable conditions, lead to electric shock. Dirty or dusty tools should thus be checked at a Hilti service center at regular intervals, especially if used frequently for working on conductive materials.

- q) Avoid touching the contacts.

5.4.1 Battery tool use and care

- a) Check that the tool is switched off before fitting the battery. Use only the Hilti battery approved for use with this tool.
- b) Do not expose batteries to high temperatures or fire. This presents a risk of explosion.
- c) Do not disassemble, squash or incinerate batteries and do not subject them to temperatures over 75°C. A risk of fire, explosion or injury through contact with caustic substances may otherwise result.
- d) Avoid ingress of moisture. Moisture may cause a short circuit resulting in a risk of burning injury or fire.
- e) Do not use batteries other than those approved for use with the applicable tool or appliance. Use of other batteries or use of the battery for purposes for which it is not intended presents a risk of fire and explosion.
- f) Observe the special instructions applicable to the transport, storage and use of Li-ion batteries.
- g) Avoid short-circuiting the battery. Before inserting the battery in the tool, check that the terminals of the battery and the tool are free from foreign objects. Short-circuiting the battery terminals presents a risk of fire, explosion or contact with caustic substances.
- h) Do not charge or continue to use damaged batteries (e.g. batteries with cracks, broken parts, bent or pushed-in and/or pulled-out contacts).
- i) Use only the specified battery to power the tool and use only the PRA 85 mains adapter or PRA 86 car charging connector for charging. Failure to observe these points may result in damage to the tool.

en

6 Before use

NOTE

The tool may be powered only by the Hilti PRA 84 battery, which is manufactured in accordance with IEC 60285.

6.1 Switching the tool on

Press the on / off button.

NOTE

After switching on, the tool begins to level itself automatically.

6.2 LED indicators

Please refer to section 2 "Description".

6.3 Battery use and care

Store the battery in a cool, dry place. Never store the battery where it is exposed to direct sunlight or sources

of heat, e.g. on heaters / radiators or behind a motor vehicle windscreen. Batteries that have reached the end of their life must be disposed of safely and correctly to avoid environmental pollution.

6.4 Charging the battery



DANGER

Use only the Hilti batteries and Hilti mains adapters listed under "Accessories".

6.4.1 Charging a new battery for the first time

Charge the battery fully before using it for the first time.

NOTE

Make sure the system to be charged is standing securely.

6.4.2 Charging a previously used battery

Ensure that the outer surfaces of the battery are clean and dry before inserting it in the tool.

Li-ion batteries are ready for use at any time, even when only partly charged. During charging, progress is indicated by the LEDs on the tool.

6.5 Fitting the battery 2

DANGER

Use only the Hilti batteries and Hilti mains adapters listed under "Accessories".

CAUTION

Before inserting the battery in the tool, check that the terminals of the battery and the tool are free from foreign objects.

1. Push the battery into the tool.
2. Turn the catch in a clockwise direction to the second detent (the "locked" symbol is displayed).

6.6 Removing the battery 3

1. Turn the catch in a counterclockwise direction from the second detent back to the "open" position (the "unlocked" symbol is displayed).
2. Pull the battery out of the tool.

6.7 Options for charging the battery

DANGER

The PRA 85 mains adapter is for indoor use only. Avoid ingress of moisture.

6.7.1 Charging the battery in the tool 4

NOTE

When charging, check that the temperature is within the recommended charging temperature range (0 to 40°C/ 32 to 104°F).

1. Swing the cover to the side so that the charging cord socket becomes accessible.
2. Connect the charging cord from the mains adapter or car charging connector to the battery.
3. During charging, the charge status is indicated by the battery status LEDs on the tool (the tool must be switched on).

6.7.2 Charging the battery outside the tool 5

NOTE

When charging, check that the temperature is within the recommended charging temperature range (0 to 40°C/ 32 to 104°F).

1. Remove the battery from the tool and connect it to the mains adapter or car charging connector.
2. The red LED on the battery lights while charging is in progress.

6.7.3 Charging the battery while the tool is in operation

CAUTION

Avoid ingress of moisture. Moisture may cause a short circuit resulting in a risk of burning injury or fire.

1. Rotate the cover so that the charging cord socket becomes accessible.
2. Connect the charging cord from the mains adapter to the battery.
3. The tool continues to operate while charging is in progress.
4. During charging, the charging status is indicated by the LEDs on the tool.

7 Operation

7.1 Working in the horizontal plane

1. Set up the tool in a steady position suitable for the application, e.g. on a tripod.
2. Press the on / off button.
The auto-leveling LED blinks green.
3. The laser switches on and the beam begins to rotate as soon as the tool has leveled itself.
The green auto-leveling LED lights constantly.

7.2 Working with the laser receiver

The PRA 30 laser receiver can be used at distances (radiuses) of up to 200m (650ft). The laser beam is indicated by visual and audible signals.

7.2.1 Working with the laser receiver as a hand-held unit

1. Press the on / off button.

2. Hold the PRA 30 with the receiving window in the plane of the rotating laser beam.
The laser beam is indicated by visual and audible signals.

7.2.2 Working with the laser receiver in the PRA 80 receiver holder 6

1. Open the catch on the PRA 80.
2. Place the PRA 30 laser receiver in the PRA 80 receiver holder.
3. Close the catch on the PRA 80.
4. Switch the laser receiver on by pressing the on/off button.
5. Turn the rotating grip to the open position.
6. Fit the PRA 80 receiver holder onto the telescopic staff or leveling staff and secure it by tightening the rotating grip.

7. Hold the PRA 30 with the receiving window in the plane of the rotating laser beam.
The laser beam is indicated by visual and audible signals.

7.2.3 Working with the PRA 81 height transfer device

1. Open the catch on the PRA 81.
2. Place the PRA 30 laser receiver in the PRA 81 height transfer device.
3. Close the catch on the PRA 81.
4. Switch the laser receiver on by pressing the on / off button.
5. Hold the PRA 30 with the receiving window in the plane of the rotating laser beam.
The laser beam is indicated by visual and audible signals.
6. Use the measuring tape to measure the desired distance.

7.2.4 Menu options

Press the on / off button for two seconds when switching on.

The menu then appears in the display.

Use the measuring units button to select metric or imperial measuring units.

Use the volume button to assign the high-pitched signal to the upper or lower area of the receiving window.

To save the settings, switch the PRA 30 off.

7.2.5 Setting the measuring unit

The “units” button can be used to set the desired measuring unit according to the country of use (mm / cm / off) or ($\frac{1}{16}$ in / $\frac{1}{8}$ in / off).

7.2.6 Setting the volume of the audible signal

When the receiver is switched on, the volume is set to “normal”. The volume can be changed from “normal” to “loud” by pressing the “audible signal” button. Pressing the button again switches the volume to “off” and a further press of the button switches it to “quiet”.

7.3 Deactivating the shock warning system

1. Press the on / off button on the tool for at least 4 seconds when switching on.
2. The shock warning LED lights constantly, indicating that the function has been deactivated.
3. Release the on / off button.
4. To return to the standard operating modus, the tool must be switched off and then restarted.

7.4 Switching on in manual mode

1. To activate the inclined plane function, press the on / off button on the tool for 8 seconds when switching on.
2. After 8 seconds, the inclined plane LED lights constantly indicating that the inclined plane function is activated.
3. Release the button.
4. The horizontal plane is then no longer monitored.
5. To return to the standard operating modus, the tool must be switched off and then restarted.

8 Care and maintenance

8.1 Cleaning and drying

1. Blow dust off the laser exit window.
2. Do not touch the laser exit apertures and filter with the fingers.
3. Use only a clean, soft cloth for cleaning. If necessary, moisten the cloth slightly with pure alcohol or a little water.
NOTE Do not use any other liquids as these may damage the plastic components.
4. Observe the temperature limits when storing your equipment. This is particularly important in winter / summer if the equipment is kept inside a motor vehicle (-25°C to +60°C).

8.2 Care of the Li-ion battery

Avoid ingress of moisture.

Charge the battery fully before using it for the first time.

In order to achieve maximum battery life, stop discharging the battery as soon as a significant drop in performance is noticed.

NOTE

If use of the tool continues, further battery discharge will be stopped automatically before the battery cells suffer damage. The tool switches itself off.

Charge the battery with the Hilti charger approved for use with Li-ion batteries.

NOTE

- A conditioning charge (as is required with NiCd or NiMH batteries) is not necessary.
- Interruption of the charging procedure has no negative effect on battery life.
- Charging can be started at any time with no negative effect on battery life. There is no memory effect (as with NiCd or NiMH batteries).
- For best results, batteries should be stored fully charged in a cool dry place. Avoid charging the battery in places subject to high ambient temperatures (e.g. at a window) as this has an adverse effect on battery life and increases the rate of self-discharge.

- If the battery no longer reaches full charge, it may have lost capacity due to aging or overstraining. It is possible to continue working with a battery in this condition but it should be replaced in good time.

8.3 Storage

Remove the tool from its case if it has become wet. The tool, its carrying case and accessories should be cleaned and dried (at maximum 40°C / 104°F). Repack the equipment only once it is completely dry.

Check the accuracy of the equipment before it is used after a long period of storage or transportation.

8.4 Transport

Use the Hilti toolbox or packaging of equivalent quality for transporting or shipping your equipment.

CAUTION

Always remove the battery from the tool before shipping.

8.5 Hilti Calibration Service

We recommend that the tool is checked by the Hilti Calibration Service at regular intervals in order to verify its reliability in accordance with standards and legal requirements.

Use can be made of the Hilti Calibration Service at any time, but checking at least once a year is recommended. The Calibration Service provides confirmation that the tool is in conformance, on the day it is tested, with the specifications given in the operating instructions.

The tool will be readjusted if deviations from the manufacturer's specification are found. After checking and adjustment, a calibration sticker applied to the tool and a calibration certificate provide written verification that the tool operates in accordance with the manufacturer's specification.

Calibration certificates are always required by companies certified according to ISO 900x.

Your local Hilti Center or representative will be pleased to provide further information.

8.5.1 Checking accuracy

In order to ensure compliance with the technical specifications, the tool should be checked regularly (at least before each major / relevant job).

8.5.1.1 Checking horizontal rotation

1. Set up the tool in the horizontal plane at a distance of 20 m (65 ft) from a wall (the tool may be set up on a tripod).
2. With the aid of the laser receiver, mark a spot or a line on the wall.
3. Pivot the tool through 180° about its own axis. In doing so, ensure that the height of the tool does not change.
4. With the aid of the laser receiver, mark a second spot or line on the wall.

NOTE If this procedure is carried out carefully, the vertical distance between the two spots or lines should be less than 2 mm (0.15 in) (at 20 m). If the deviation is greater: Please return the tool to Hilti Service for calibration.

9 Disposal

WARNING

Improper disposal of the equipment may have serious consequences:

The burning of plastic components generates toxic fumes which may present a health hazard.

Batteries may explode if damaged or exposed to very high temperatures, causing poisoning, burns, acid burns or environmental pollution.

Careless disposal may permit unauthorized and improper use of the equipment. This may result in serious personal injury, injury to third parties and pollution of the environment.



Most of the materials from which Hilti tools or appliances are manufactured can be recycled. The materials must be correctly separated before they can be recycled. In many countries, Hilti has already made arrangements for taking back old tools and appliances for recycling. Ask Hilti customer service or your Hilti representative for further information.



For EC countries only

Do not dispose of electronic measuring tools or appliances together with household waste.

In observance of the European Directive on waste electrical and electronic equipment and its implementation in accordance with national law, electric tools and batteries that have reached the end of their life must be collected separately and returned to an environmentally compatible recycling facility.



Dispose of the batteries in accordance with national regulations. Please help us to protect the environment.

10 Manufacturer's warranty - tools

Hilti warrants that the tool supplied is free of defects in material and workmanship. This warranty is valid so long as the tool is operated and handled correctly, cleaned and serviced properly and in accordance with the Hilti Operating Instructions, and the technical system is maintained. This means that only original Hilti consumables, components and spare parts may be used in the tool.

This warranty provides the free-of-charge repair or replacement of defective parts only over the entire lifespan of the tool. Parts requiring repair or replacement as a result of normal wear and tear are not covered by this warranty.

Additional claims are excluded, unless stringent national rules prohibit such exclusion. In particular, Hilti is not obligated for direct, indirect, incidental or consequential damages, losses or expenses in connection with, or by reason of, the use of, or inability to use the tool for any purpose. Implied warranties of merchantability or fitness for a particular purpose are specifically excluded.

For repair or replacement, send the tool or related parts immediately upon discovery of the defect to the address of the local Hilti marketing organization provided.

This constitutes Hilti's entire obligation with regard to warranty and supersedes all prior or contemporaneous comments and oral or written agreements concerning warranties.

11 FCC statement (applicable in US) / IC statement (applicable in Canada)

CAUTION

This equipment has been tested and found to comply with the limits for a class B digital device, pursuant to part 15 of the FCC rules. These limits are designed to provide reasonable protection against harmful interference in a residential installation. This equipment generates, uses and may radiate radio frequency energy. Accordingly, if not installed and used in accordance with the instructions, it may cause harmful interference to radio communications.

However, there is no guarantee that interference will not occur in a particular installation. If this equipment does cause harmful interference to radio or television recep-

tion, which can be determined by turning the equipment off and on, the user is encouraged to try to correct the interference by taking the following measures:

Reorient or relocate the receiving antenna.

Increase the separation between the equipment and receiver.

Consult your dealer or an experienced TV/radio technician for assistance.

NOTE

Changes or modifications not expressly approved by Hilti could limit the user's right to operate the equipment.

en

12 EC declaration of conformity (original)

Designation:	Rotating laser
Type:	PRE 3
Generation:	01
Year of design:	2008

en We declare, on our sole responsibility, that this product complies with the following directives and standards: 2011/65/EU, 2006/95/EC, 2004/108/EC, EN ISO 12100.

**Hilti Corporation, Feldkircherstrasse 100,
FL-9494 Schaan**



Paolo Luccini
Head of BA Quality and Process Management
Business Area Electric Tools & Accessories
01/2012



Matthias Gillner
Executive Vice President
Business Area Electric Tools & Accessories
01/2012

Technical documentation filed at:

Hilti Entwicklungsgesellschaft mbH
Zulassung Elektrowerkzeuge
Hiltistrasse 6
86916 Kaufering
Deutschland



Hilti Corporation

LI-9494 Schaan

Tel.: +423 / 234 21 11

Fax: +423 / 234 29 65

www.hilti.com

Hilti = registered trademark of Hilti Corp., Schaan

W 3602 | 0313 | 00-Pos. 1 | 1

Printed in Germany © 2013

Right of technical and programme changes reserved S. E. & O.

368228 / A2



368228