

HILTI

DX 76-PTR

Operating instructions

en

Mode d'emploi

fr

دليل الاستعمال

ar

取扱説明書

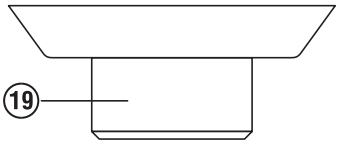
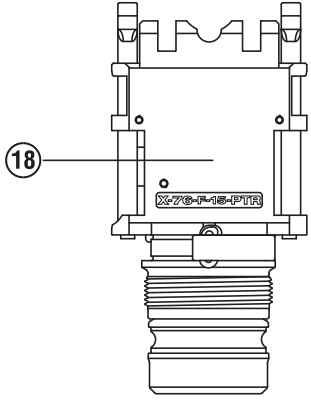
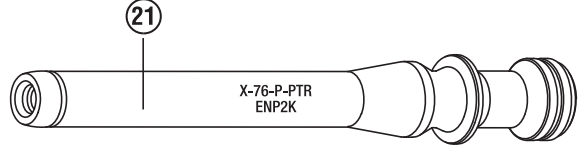
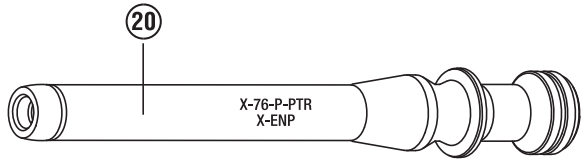
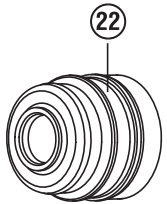
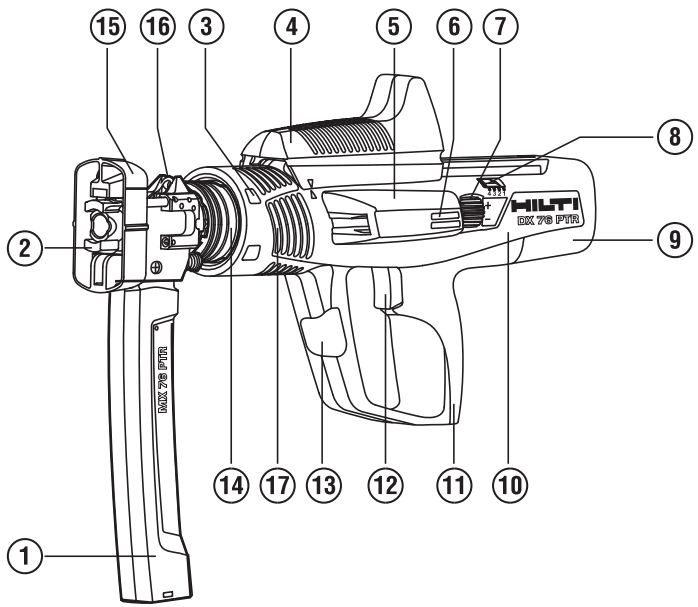
ja

操作說明書

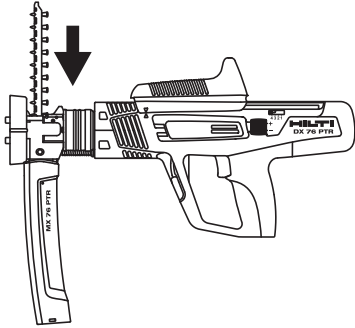
zh





CE



2



3

Nail Nagel Clou	 X-ENP2K		 X-ENP 19		
mm	2.7 → 3.3 → 6		10 → > 20		
Cartridge Kartusche Cartouche	green grün vert	blue blau bleu	red * rot * rouge *	red rot rouge	black schwarz noir

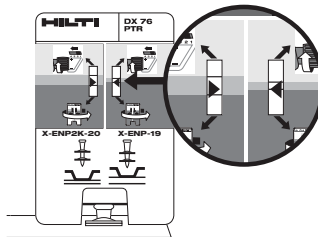
* Blue cartridges might be used as well for low strength steel up to 10 mm thickness.

* Für Standard Stahl bis zu einer Dicke von 10 mm können auch blaue Kartuschen verwendet werden.

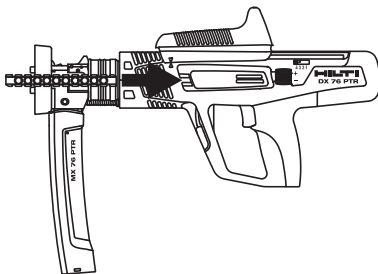
* Des cartouches bleues peuvent également être utilisées pour de l'acier standard d'une épaisseur jusqu'à 10 mm.

Power regulation to be set according to nail stand-off.
Geräte Leistungseinstellung gemäss Nagelvorstand.
Réglage de la puissance selon l'enfoncement du clou.

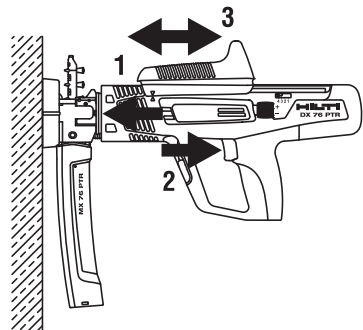
For / Für / Pour X-ENP2K + X-ENP

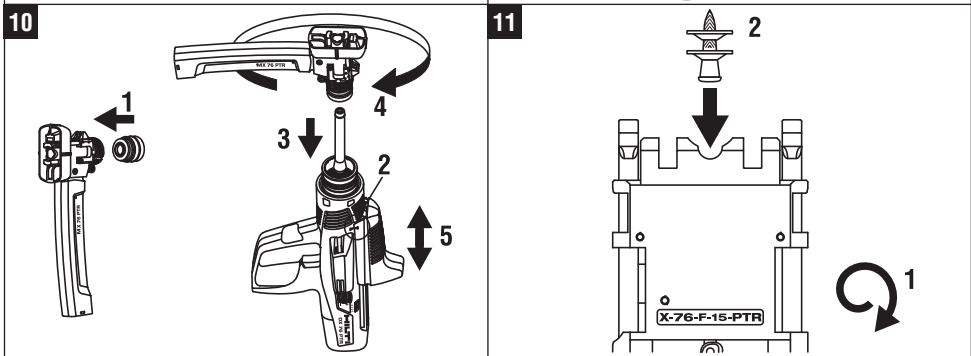
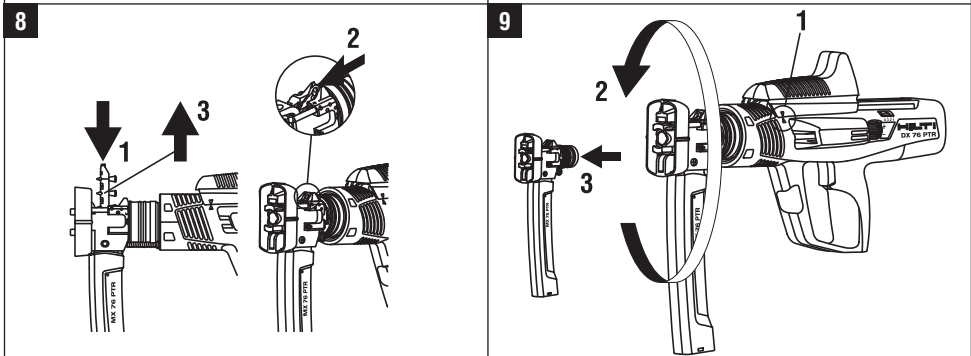
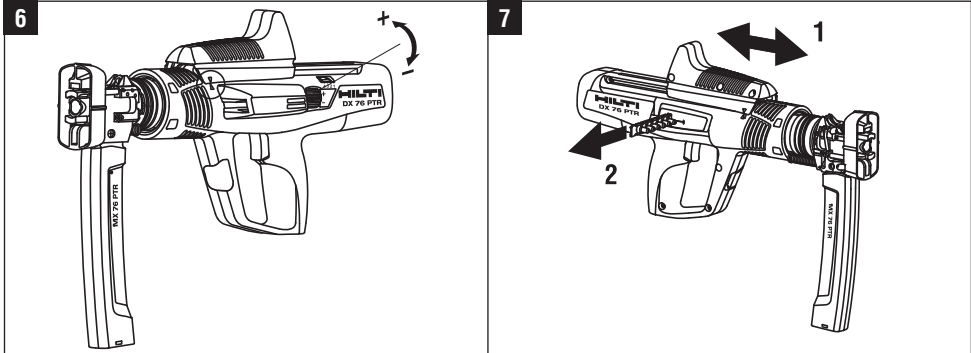


4

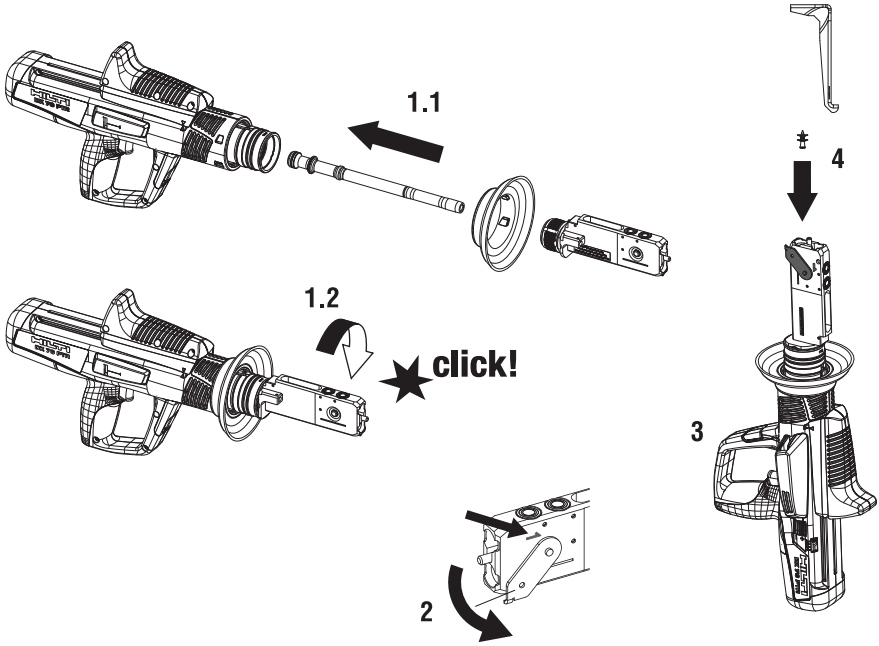


5

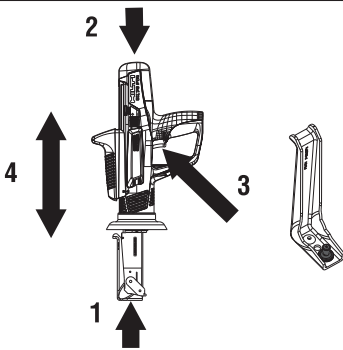




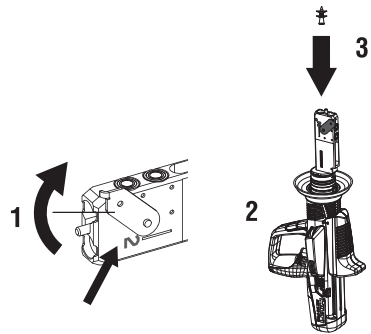
12



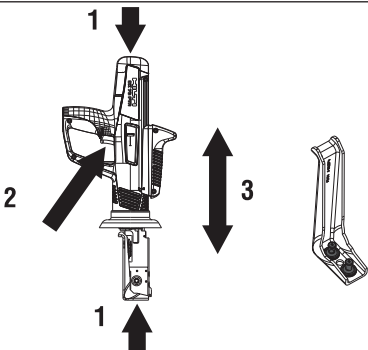
13



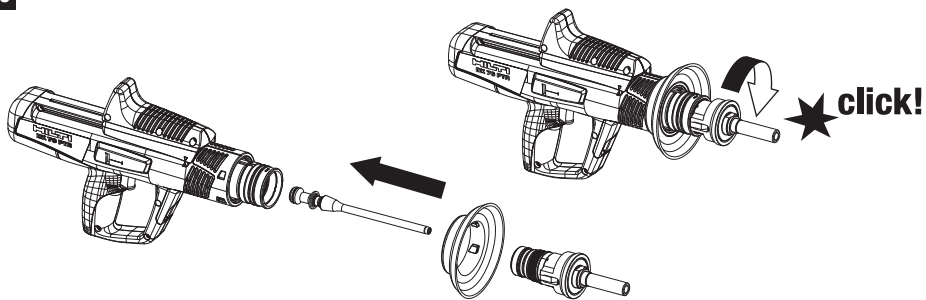
14



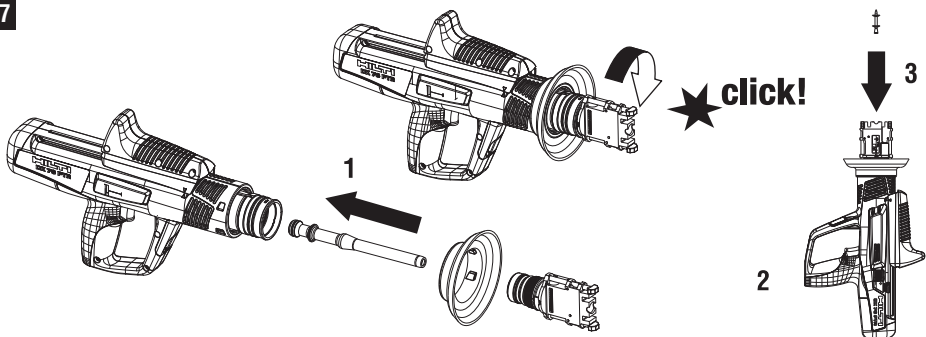
15



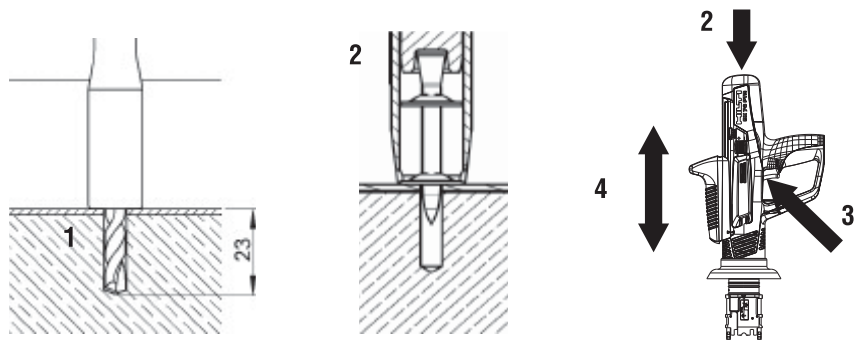
16



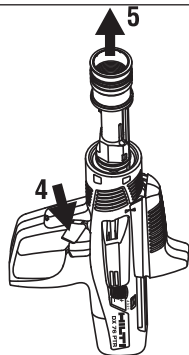
17

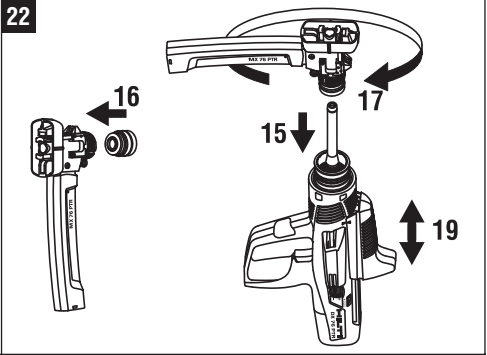
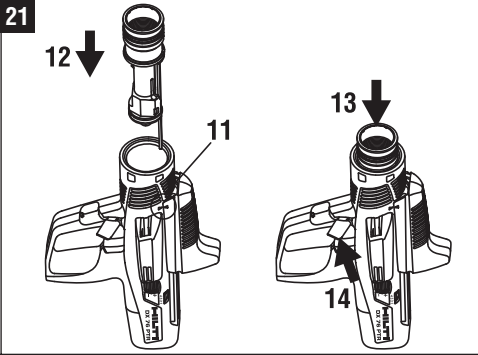
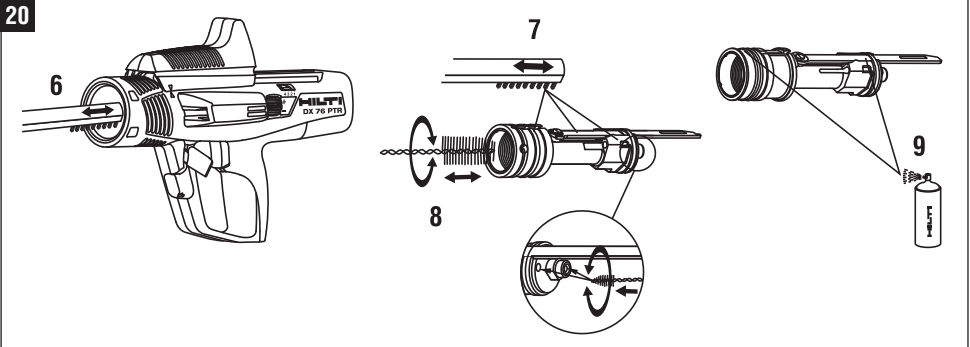


18



19





ORIGINAL OPERATING INSTRUCTIONS

DX 76 PTR powder-actuated fastening tool

en

It is essential that the operating instructions are read before the tool is operated for the first time.

Always keep these operating instructions together with the tool.

Ensure that the operating instructions are with the tool when it is given to other persons.

Contents	Page
1. General information	1
2. Description	2
3. Accessories, consumables	4
4. Technical data	5
5. Safety instructions	5
6. Before use	7
7. Operation	8
8. Care and maintenance	12
9. Troubleshooting	14
10. Disposal	18
11. Manufacturer's warranty - tools	18
12. EC declaration of conformity	19
13. Confirmation of CIP testing	19
14. Health and safety of the operator	19

1 These numbers refer to the corresponding illustrations. The illustrations can be found on the fold-out

cover pages. Keep these pages open while studying the operating instructions.

In these operating instructions, the designation "the tool" always refers to the DX 76 PTR powder-actuated fastening tool.

Parts and operating controls **1**

DX 76 PTR tool

- 1 MX 76-PTR fastener magazine
- 2 Contact pins
- 3 Protective cap
- 4 Cycling grip
- 5 Cartridge strip guideway
- 6 Loading status control window
- 7 Power regulation wheel
- 8 Power regulation indicator
- 9 Padded end cap
- 10 Tool casing
- 11 Grip pad
- 12 Trigger
- 13 Piston guide release lever
- 14 Piston guide
- 15 Fastener magazine spall guard
- 16 Fastener stop piece
- 17 Ventilation slots
- 18 X-76-F-15-PTR fastener guide
- 19 Tool spall guard

Wearing parts

- 20 X-76-P-ENP-PTR piston
- 21 X-76-P-ENP2K-PTR piston
- 22 X-76-P-PB-PTR piston brake

1. General information

1.1 Safety notices and their meaning

DANGER

Draws attention to imminent danger that could lead to serious bodily injury or fatality.

WARNING

Draws attention to a potentially dangerous situation that could lead to serious personal injury or fatality.

CAUTION

Draws attention to a potentially dangerous situation that could lead to slight personal injury or damage to the equipment or other property.

NOTE

Draws attention to an instruction or other useful information.

1.2 Explanation of the pictograms and other information

Warning signs



General warning



Warning: explosive substances



Warning: hot surface

Obligation signs



Wear eye protection



Wear a hard hat



Wear ear protection



Wear protective gloves

Symbols



Read the operating instructions before use

Location of identification data on the tool

The type designation and serial number can be found on the type identification plate on the tool. Make a note of this data in your operating instructions and always refer to it when making an enquiry to your Hilti representative or service department.

Type: _____

Serial no.: _____

2. Description

2.1 Use of the product as directed

The tool is intended for use in the construction industry and associated trades for driving fasteners into steel. The tool is for hand-held use only.

Modification of the tool is not permissible.

The tool may not be used in an explosive or flammable atmosphere unless it has been approved for use under these conditions.

To avoid the risk of injury use only genuine Hilti fasteners, cartridges, accessories and spare parts or those of equivalent quality.

Observe the information printed in the operating instructions concerning operation, care and maintenance.

The tool and its ancillary equipment may present hazards when used incorrectly by untrained personnel or when used not as directed.

The tool may be operated, serviced and repaired only by trained personnel. This personnel must be informed of any special hazards that may be encountered.

As with all powder-actuated fastening tools, the tool, magazine, cartridges and fasteners form a technical unit. This means that trouble-free fastening with this system can be assured only if the Hilti fasteners and cartridges specially manufactured for it, or products of equivalent quality, are used. The fastening and application recommendations given by Hilti apply only when these conditions are observed.

For optimum results and maximum reliability we recommend use of Hilti cartridges or products of equivalent quality.

The following also applies in EU and EFTA countries: To ensure safe used in this tool, the cartridges must comply with the requirements of the applicable C.I.P. tests (source: Comprehensive edition of adopted C.I.P. decisions, Liège, Belgium, 2005) as well as the cartridge tests described at www.hilti.com/cartridgetest.

The tool features a 5-way safety system for the safety of the user and all bystanders.

2.2 Piston principle with piston brake

The energy from the propellant charge is transferred to a piston, the accelerated mass of which drives the fastener into the base material. Due to use of this piston principle, the tool is classified as a "low velocity tool". Approximately 95 % of kinetic energy is taken up by the piston when the tool is fired. As the piston is

always stopped by the piston brake as it reaches the end of its travel, excess energy is absorbed by the tool. Accordingly, when the tool is used correctly, dangerous through-shots become virtually impossible.

2.3 Drop-firing safety device

The drop-firing safety device is the result of coupling the firing mechanism with the cocking movement. This prevents the tool from firing when dropped onto a hard surface, no matter at which angle the impact occurs.

2.4 Trigger safety device

The trigger safety device ensures that a fastener cannot be driven simply by pulling the trigger only. The tool must be pressed against a firm surface before a fastener can be released.

2.5 Contact pressure safety device

The tool can be fired only when pressed fully against a firm surface with a force of at least 50 N.

2.6 Unintentional firing safety device

The tool is also equipped with an unintentional firing safety device. This prevents the tool from firing if the trigger is first pulled and the tool then pressed against the work surface. The tool can be fired only when it is first pressed correctly against the work surface and the trigger subsequently pulled.

2.7 DX 76 PTR tool: applications and suitable fasteners

Fastening profile metal sheet to steel, steel thickness 6 mm – solid steel

Items required	Ordering designation	Comments
Fasteners	X-ENP-19 L15 MX	10 fasteners per magazine strip
Fastener magazine	MX 76-PTR	
Piston set	X-76-P-ENP-PTR	

Items required	Ordering designation	Comments
Fasteners	X-ENP-19 L15	Single fastener
Single fastener guide	X-76-F-15-PTR	

Fastening profile metal sheet to steel, steel thickness 3-6 mm

Items required	Ordering designation	Comments
Fasteners	X-ENP2K-20 L15 MX	10 fasteners per magazine strip
Fastener magazine	MX 76-PTR	
Piston set	X-76-P-ENP2K-PTR	

Items required	Ordering designation	Comments
Fasteners	ENP2K-20 L15	Single fastener
Single fastener guide	X-76-F-15-PTR	

Fastening shear connectors

Items required	Ordering designation	Comments
Fasteners	X-ENP-21 HVB	2 fasteners per shear connector

Items required	Ordering designation	Comments
Shear connector	X-HVB 50/ 80/ 95/ 110/ 125/ 140	
Fastener guide	X-76-F-HVB-PTR	
Piston	X-76-P-HVB-PTR	

Fastening profile metal sheeting to concrete (DX-Kwik)

Items required	Ordering designation	Comments
Fasteners	NPH2-42 L15	
Fastener guide	X-76-F-Kwik-PTR	
Piston	X-76-P-Kwik-PTR	
Stop drill bit	TX-C 5/23	Stop drill bit for predrilling

Grating fasteners (8mm diameter)

Items required	Ordering designation	Comments
Fasteners	X-EM8H/ X-CR M8	For installing the X-FCM-M, X-FCM-R, X-FCP-F, X-FCP-R
Fasteners	X-GR/ X-GR-RU	Grating fastening system
Fastener guide	X-76-F-8-GR-PTR	
Piston	X-76-P-8-GR-PTR	

Fasteners for use on steel and concrete

Items required	Ordering designation	Comments
Fasteners	DS 27-37	Nails for general-purpose heavy-duty fastenings on concrete and steel
Fasteners	EDS 19-22	Nails for fastening steel
Fasteners	X-EM10H	10 mm studs on steel base material
Fastener guide	X-76-F-10-PTR	
Piston	X-76-P-10-PTR	

3. Accessories, consumables

Hilti toolbox	DX 76 PTR KFD, large, with lockable cartridge compartment
Toolbox for magazine tool	DX 76 PTR
Cleaning set	DX 76 / 860-ENP, Flat brush, 25 mm dia. round brush, 8 mm dia. round brush, pusher rod, cleaning cloth
Protective glasses	Clear / tinted
Protective glasses	
Ear protectors	Small
Hilti spray	
Piston and piston brake set	X-76-P-ENP-PTR and X-76-P-ENP2K-PTR

Spall guard for magazine and single fastener guides

DX 76 PTR test gauge

Additional piston

Slider repair set

Cartridge type	Ordering designation
Extra heavy	6.8/18 M black
Very heavy	6.8/18 M red
Heavy	6.8/18 M blue
Light	6.8/18 M green

4. Technical data

Right of technical changes reserved.

NOTE

*for trouble-free operation.

Tool	DX 76 PTR
Weight with magazine	4.37 kg
Dimensions (L × W × H)	464 mm × 104 mm × 352 mm
Magazine capacity	10 fasteners
Contact movement	32 mm
Contact pressure	90...130 N
Ambient operating temperature range	-15...+50°C
Maximum average fastener driving frequency*	600/h

5. Safety instructions

5.1 Basic information concerning safety

In addition to the information relevant to safety given in each of the sections of these operating instructions, the following points must be strictly observed at all times.

5.1.1 Personal safety

- Stay alert, watch what you are doing and use common sense when operating a direct fastening tool. Do not use tool while tired or under the influence of drugs, alcohol or medication.** A moment of inattention while operating tools may result in serious personal injury.
- Avoid unfavorable body positions. Make sure you work from a safe stance and stay in balance at all times.**

- Never point the tool toward yourself or other persons.**
- Never press the nosepiece of the tool against your hand or against any other part of your body (or other person's hand or part of their body).**
- Keep other persons, especially children, away from the area in which the work is being carried out.**
- Keep the arms slightly bent while operating the tool (do not straighten the arms).**

5.1.2 Use and care of powder-actuated fastening tools

- Use the right tool for the job. Do not use the tool for purposes for which it was not intended.**

Use it only as directed and when in faultless condition.

- b) Press the tool against the working surface at right angles.
- c) **Never leave a loaded tool unattended.**
- d) **Always unload the tool (remove cartridges and fasteners) before cleaning, before maintenance, before work breaks and before storing the tool.**
- e) **When not in use, tools must be unloaded and stored in a dry place, locked up or out of reach of children.**
- f) **Check the tool or machine and its accessories for any damage. Guards, safety devices and any slightly damaged parts must be checked carefully to ensure that they function faultlessly and as intended. Check that moving parts function correctly without sticking and that no parts are damaged. All parts must be fitted correctly and fulfill all conditions necessary for correct operation of the tool or machine. Damaged guards, safety devices and other parts must be repaired or replaced properly at a Hilti service center unless otherwise indicated in the operating instructions.**
- g) **Pull the trigger only when the tool is fully pressed against the working surface at right angles.**
- h) **Always hold the tool securely and at right angles to the working surface when driving in fasteners. This will help to prevent fasteners being deflected by the working surface.**
- i) **Never redrive a fastener. This may cause the fastener to break and the tool may jam.**
- j) **Never drive fasteners into existing holes unless this is recommended by Hilti.**
- k) **Always observe the application guidelines.**
- l) **Use the spall guard when the application permits.**
- m) **Never pull the magazine or fastener guide back by hand as this could, under certain circumstances, make the tool ready to fire. This could cause a fastener to be driven into a part of the body.**

5.1.3 Work area safety



- a) **Ensure that the workplace is well lit.**

- b) **Operate the tool only in well-ventilated working areas.**
- c) **Do not attempt to drive fasteners into unsuitable materials:** Materials that are too hard, e.g. welded steel and cast iron. Materials that are too soft, e.g. wood and drywall panel (gypsum board). Materials that are too brittle, e.g. glass and ceramic tiles. Driving a fastener into these materials may cause the fastener to break, shatter or to be driven right through.
- d) **Never attempt to drive fasteners into materials such as glass, marble, plastic, bronze, brass, copper, rock, insulation material, hollow brick, ceramic brick, thin sheet metal (< 2.7 mm), cast iron or cellular concrete.**
- e) **Before driving fasteners, check that no one is present immediately behind or below the working surface.**
- f) **Keep the workplace tidy. Objects which could cause injury should be removed from the working area.** Untidiness at the workplace can lead to accidents.
- g) **Keep the grips dry, clean and free from oil and grease.**
- h) **Wear non-skid shoes.**
- i) **Take the influences of the surrounding area into account. Do not expose the tool to rain or snow and do not use it in damp or wet conditions. Do not use the tool where there is a risk of fire or explosion.**

5.1.4 Mechanical safety precautions



- a) **Select the correct fastener guide and fastener combination for the job on hand.** Failure to use the correct combination of these items may result in injury or cause damage to the tool and/or lead to unsatisfactory fastening quality.
- b) **Use only fasteners of a type approved for use with the tool.**
- c) **Never fill the magazine with fasteners unless it is correctly installed onto the tool. The fasteners could be ejected uncontrollably.**
- d) **Never use worn or damaged piston brakes and do not attempt to manipulate or modify the piston.**

5.1.5 Thermal safety precautions



- a) If the tool has overheated, allow it to cool down. Do not exceed the recommended fastener driving rate.
- b) Always wear gloves if the tool has to be dismantled for cleaning or maintenance before it has been allowed to cool down.
- c) The tool must be allowed to cool down if melting of the plastic cartridge strip is observed.

5.1.6 Danger of explosion



- a) Use only cartridges of a type approved for use with the tool.

- b) Remove the cartridge strip from the tool carefully.
- c) Do not attempt to forcibly remove cartridges from the magazine strip or tool.
- d) Unused cartridges must be stored in a dry, high place, locked up or out of reach of children.

5.1.7 Personal protective equipment



The user and any other persons in the vicinity must wear suitable eye protection, a hard hat and ear protection while the tool is in use or when checking the tool for faults etc. The user must also wear protective gloves.

6. Before use



NOTE

Read the operating instructions before the tool is operated for the first time.

6.1 Check the tool

Check that no cartridge strip is loaded in the tool. If a cartridge strip is present in the tool, use the cycling grip to cycle the tool several times until the cartridge strip projects from the tool at the cartridge strip exit and it can be pulled out and removed from the tool. Check all external parts of the tool for damage and check that all controls operate faultlessly. Do not operate the tool when parts are damaged or when the controls do not function correctly. If necessary, have the tool repaired at an authorized Hilti service center. Check the piston and piston brake for wear and ensure that the parts have been fitted correctly.

7. Operation



en



NOTE

When you grip the tool with your other hand, care must be taken to ensure that this hand does not cover any ventilation slots or openings.

WARNING

The material may splinter or fragments of the magazine strip may fly off when the fastener is driven. **The user of the tool and other persons in the immediate vicinity must wear protective glasses and a hard hat.** Splintering material presents a risk of injury to the eyes and body.

CAUTION

The fastener driving action is initiated by ignition of a propellant charge. **The user of the tool and other persons in the immediate vicinity must wear ear protectors.** Exposure to noise can cause hearing loss.

WARNING

Making the tool ready to fire by pressing it against a part of the body (e.g. the hand) should never be done. This could cause a nail or the piston to be driven into a part of the body. **Never press the tool against a part of the body.**

CAUTION

Never redrive a fastener. This may cause the fastener to break and the tool may jam.

CAUTION

Never drive fasteners into existing holes unless this is recommended by Hilti.

CAUTION

If the tool has overheated, allow it to cool down. Do not exceed the recommended fastener driving rate.

7.1 Operation

Fastening guidelines: These guidelines must be observed at all times.

NOTE

For detailed information, please ask your local Hilti representative for a copy of the applicable technical guidelines or national technical regulations.

7.2 Procedure if a cartridge fails to fire

If a cartridge fails to fire or misfires, always proceed as follows:

Keep the nose of the tool pressed at right angles against the working surface for 30 seconds.

If the cartridge still fails to fire, lift the tool away from the working surface, taking care to avoid pointing it at yourself or other persons.

Load the next cartridge on the strip by cycling the tool. Use up the remaining cartridges on the strip and remove the used cartridge strip from the tool. The (partly) used cartridge strip must then be disposed of suitably in order to prevent further use or misuse of any unfired cartridges.

7.2.1 Loading fastener strips in the magazine 2

Push the fastener strip into the magazine from above until the washer of the final fastener engages in the magazine.

7.2.2 Selecting the cartridge 3

1. Determine the thickness of the material to be fastened and the grade of the supporting steel.
2. Select a suitable cartridge and power setting according to the cartridge recommendations.

NOTE For details of recommended cartridges, please refer to the applicable approvals or the Hilti Fastening Technology Manual.

7.2.3 Inserting the cartridge strip 4

Push the cartridge strip, as far as it will go, into the cartridge strip guideway on the side of the tool.

7.2.4 Driving fasteners with the magazine tool 5

1. Press the tool against the working surface at right angles.
2. Drive the fastener by pulling the trigger.
3. Prepare the tool for driving the next fastener by pushing the cycling grip back toward the rear of the tool and then forward to its original position.

7.2.5 Checking and adjusting fastener driving depth 3 6

NOTE

Fastener driving depth can be adjusted by turning the power regulation wheel on the tool (setting 1 = minimum; setting 4 = maximum).

1. Use the test gauge to check nail stand-off.
2. If a fastener is not driven deeply enough, driving power must be increased. Adjust the power regulation wheel to the next higher setting. If a fastener is driven too deeply, check to ensure that a supporting member (e.g. a beam) is present at this point. Do not drive fasteners into unsupported sheet metal. Check to ensure that the metal sheets lie snugly against the supporting structure or, respectively, that any gaps beneath the sheets are kept to an absolute minimum.
3. Drive a fastener.
4. Use the test gauge to check nail stand-off.
5. If the fastener is still not driven deeply enough or, respectively, is driven too deeply, steps 2 to 4 must be repeated until the correct depth is achieved. If necessary, use a cartridge with a higher or lower power rating.

7.3 Unloading the tool

7.3.1 Removing cartridges from the tool 7

WARNING

Do not attempt to forcibly remove cartridges from the magazine strip or tool.

1. Advance the cartridge strip through the tool by moving the cycling grip until the strip is visible at the exit aperture.
2. Pull the cartridge strip out of the tool at the cartridge strip exit aperture.

7.3.2 Removing fastener strips from the tool 8

WARNING

Check that no cartridge strip is loaded in the tool. If a cartridge strip is still present in the tool, operate the cycling grip until the strip projects from the tool and then pull the strip out of the cartridge strip exit by hand and remove it from the tool.

CAUTION

The fastener strip will be ejected by spring pressure.

1. Push the fastener strip 5 mm further into the magazine and hold it securely in this position.
2. Push the catch forward with the thumb and hold it in this position.
3. Remove the fastener strip from the magazine.

7.4 Changing the nail magazine or fastener guide (accessory)

7.4.1 Disassembly 9

WARNING

All cartridges must be removed from the tool. All nails must be removed from the nail magazine or the fastener guide.

CAUTION

After the tool has been in use, the parts to be handled may be very hot. **It is essential that gloves are worn if the following maintenance operations have to be carried out before the tool has been allowed to cool down.**

1. Check that the tool cycling grip is in its starting position.
2. Unscrew and remove the fastener guide (or fastener magazine).
3. Remove the piston brake from the fastener guide.

7.4.2 Assembly 10

1. Insert the piston brake, the right way round, in the piston guide (or fastener magazine) that is to be fitted to the tool.
Exception: With the HVB base plate, the piston stopper must be inserted the right way round (rubber part toward the front).

2. Check that the tool cycling grip is in its starting position.
3. Insert the correct piston in the piston guide in the tool.
4. Screw the fastener guide (or fastener magazine) onto the piston guide as far as it will go and then turn it back until it engages.
5. Cycle the tool once with the cycling grip.

7.5 Driving fasteners using the single fastener guide (accessory)

WARNING

Check that the spill guard is fitted to the tool.

7.5.1 Inserting the fastener in the single-fastener tool 11

1. Turn the tool so that the fastener guide is pointing upwards.
2. Insert the fastener in the tool from above.

7.5.2 Selecting the cartridge 3

1. Determine the thickness of the material to be fastened and the grade of the supporting steel.
2. Select a suitable cartridge and power setting according to the cartridge recommendations.

NOTE For details of recommended cartridges, please refer to the applicable approvals or the Hilti Fastening Technology Manual.

7.5.3 Inserting the cartridge strip 4

Push the cartridge strip, as far as it will go, into the cartridge strip guideway on the side of the tool.

7.5.4 Driving fasteners with the single-fastener tool

1. Press the tool against the working surface at right angles.
2. Drive the fastener by pulling the trigger.
3. Prepare the tool for driving the next fastener by pushing the cycling grip back toward the rear of the tool and then forward to its original position.

7.5.5 Checking and adjusting fastener driving depth 3 6

NOTE

Fastener driving depth can be adjusted by turning the power regulation wheel on the tool. (setting 1 = minimum; setting 4 = maximum)

Check the nail stand-off and power setting in accordance with section 7.2.5 "Checking and adjusting fastener driving depth".

7.6 Fastening shear connectors (accessories required) 9 12

WARNING

Check that the spill guard is fitted to the tool.

7.6.1 Inserting the fastener in the HVB fastener guide

NOTE

These instructions apply to driving the first fastener in the shear connector.

NOTE

Please note that the HVB fastener guide is equipped with a piston stopper (X-76-PS) but no piston brake (X-76-PB-PTR).

NOTE

The HVB base plate thus does not prevent punching through (no PTR function).

1. Fit the HVB fastener guide in accordance with the instructions in section 7.4 "Changing the nail magazine or fastener guide (accessory)".
2. Push the slider over until it engages and the number "1" is visible.
3. Turn the tool so that the fastener guide is pointing upwards.
4. Insert the fastener into the tool from above at the marked opening.

7.6.2 Inserting the cartridge strip

NOTE

For best results when fastening HVB shear connectors, use black cartridges or, in some cases, red cartridges. For details of recommended cartridges, please refer to the applicable approvals or the Hilti Fastening Technology Manual.

Push the cartridge strip, as far as it will go, into the cartridge strip guideway on the side of the tool.

7.6.3 Driving fasteners using the HVB fastener guide 13

1. Fit the shear connector onto the base plate. It is held in place by a magnet.
2. Press the tool against the working surface at right angles.
3. Drive the fastener by pulling the trigger.
4. Prepare the tool for driving the next fastener by pushing the cycling grip back toward the rear of the tool and then forward to its original position.

7.6.4 Checking and adjusting fastener driving depth 3 6

NOTE

Fastener driving depth can be adjusted by turning the power regulation wheel on the tool. (setting 1 = minimum; setting 4 = maximum)

Check the nail stand-off and power setting in accordance with section 7.2.5 "Checking and adjusting fastener driving depth".

7.6.5 Inserting the second fastener in the HVB fastener guide 14

NOTE

These instructions apply to driving the second fastener in the shear connector.

1. Push the slider over until it engages and the number "2" is visible.
2. Turn the tool so that the fastener guide is pointing upwards.
3. Insert the fastener into the tool from above at the marked opening.

7.6.6 Driving fasteners using the HVB fastener guide 15

1. Insert the nose of the tool into the shear connector and press the tool at right angles against the working surface.
2. Drive the fastener by pulling the trigger.
3. Prepare the tool for driving the next fastener by pushing the cycling grip back toward the rear of the tool and then forward to its original position.

7.7 Fastening gratings (accessories required) 9 16

WARNING

Check that the spall guard is fitted to the tool.

7.7.1 Inserting the fastener in the grating fastener guide (F8)

1. Fit the grating fastener guide in accordance with the instructions in section 7.4 "Changing the nail magazine or fastener guide (accessory)".
2. Turn the tool so that the fastener guide is pointing upwards.
3. Insert the fastener in the tool from above.

7.7.2 Inserting the cartridge strip 4

Push the cartridge strip, as far as it will go, into the cartridge strip guideway on the side of the tool.

7.7.3 Driving fasteners using the grating fastener guide

1. Press the tool against the working surface at right angles.
2. Drive the fastener by pulling the trigger.
3. If possible, check the depth of penetration by checking fastener stand-off.
4. If using a flange, screw the retaining flange on with torque of 5 to 8 Nm.
5. Prepare the tool for driving the next fastener by pushing the cycling grip back toward the rear of the tool and then forward to its original position.

7.7.4 Checking and adjusting fastener driving depth 3 6

NOTE

Fastener driving depth can be adjusted by turning the power regulation wheel on the tool. (setting 1 = minimum; setting 4 = maximum)

Check the nail stand-off and power setting in accordance with section 7.2.5 "Checking and adjusting fastener driving depth".

7.8 Using the F10 fastener guide

WARNING

Check that the spall guard is fitted to the tool.

Use the F10 fastener guide in the same way as for fastening gratings (section 7.7.).

7.9 Fastening profile metal sheets to concrete (DX-Kwik accessories required)

WARNING

Check that the spall guard is fitted to the tool.

7.9.1 Inserting the fastener in the DX-Kwik fastener guide **9 17**

1. Fit the DX-Kwik fastener guide in accordance with the instructions in section 7.4 "Changing the nail magazine or fastener guide (accessory)".
2. Turn the tool so that the fastener guide is pointing upwards.
3. Insert the fastener in the tool from above.

7.9.2 Inserting the cartridge strip

NOTE

Use blue cartridges for best results when fastening profile metal sheets to concrete. For details of recommended cartridges, please refer to the applicable approvals or the Hilti Fastening Technology Manual.

Push the cartridge strip, as far as it will go, into the cartridge strip guideway on the side of the tool.

7.9.3 Driving fasteners using the DX-Kwik fastener guide **18**

1. Drill through the profile metal sheet and into the concrete with the step drill bit.
2. Guide the tip of the fastener projecting from the fastener guide into the previously drilled hole and press the tool at right angles against the working surface.
3. Drive the fastener by pulling the trigger.
4. Prepare the tool for driving the next fastener by pushing the cycling grip back toward the rear of the tool and then forward to its original position.

7.9.4 Checking and adjusting fastener driving depth **3 6**

NOTE

Fastener driving depth can be adjusted by turning the power regulation wheel on the tool. (setting 1 = minimum; setting 4 = maximum)

Check the nail stand-off and power setting in accordance with section 7.2.5 "Checking and adjusting fastener driving depth".

8. Care and maintenance



CAUTION

When this type of tool is used under normal operating conditions, dirt and residues build up inside the tool and functionally relevant parts are also subject to wear. **Regular inspections and maintenance are thus essential in order to ensure reliable operation. We recommend that the piston and piston brake are checked and inspected at least daily when the tool is subjected to intensive use, and at the latest after driving 3,000 fasteners.**

WARNING

All cartridges must be removed from the tool. All nails must be removed from the nail magazine or the fastener guide.

CAUTION

The tool may get hot during use. You could burn your hands. **Wear protective gloves when carrying out care and maintenance. Allow the tool to cool down.**

8.1 Care of the tool

Clean the outside of the tool at regular intervals with a slightly damp cloth.

NOTE

Do not use a spray or steam/water jet system for cleaning! Never operate the tool when the ventilation slots are blocked. Do not permit foreign objects to enter the interior of the tool.

8.2 Maintenance

Check all external parts of the tool for damage at regular intervals and check that all controls operate faultlessly. Do not operate the tool if parts are damaged or when the controls do not function faultlessly. If necessary, the tool should be repaired by Hilti Service.

Use the tool only with the recommended cartridges and power settings. Use of the wrong cartridges or use of excessively high power settings may lead to premature failure of parts of the tool.

CAUTION

Dirt and residues in DX tools contain substances that may be hazardous to your health. **Do not inhale dust!**

or dirt from cleaning. Keep the dust or dirt away from foodstuffs. Wash your hands after cleaning the tool. Never use grease for the maintenance/lubrication of parts of the tool. This may lead to malfunctions. Use only Hilti lubricant spray or a product of equivalent quality.

8.2.1 Checking and replacing the piston and piston brake

WARNING

All cartridges must be removed from the tool. All nails must be removed from the nail magazine or the fastener guide.

CAUTION

After the tool has been in use, the parts to be handled may be very hot. It is essential that gloves are worn if the following maintenance operations have to be carried out before the tool has been allowed to cool down.

NOTE

Firing the tool repeatedly without driving a fastener stresses the piston and piston brake and causes these parts to wear. If the piston shows signs of chipping and / or the synthetic rubber part of the piston brake is badly worn, then these parts have reached the end of their life.

NOTE

The condition of the piston and piston brake must be checked at regular intervals and at least daily.

NOTE

To replace the piston and the piston brake it is necessary only to unscrew the fastener magazine or the fastener guide. It is not necessary to remove the piston guide.

1. Unscrew and remove the fastener guide (or fastener magazine).
2. Pull the piston out of the piston guide.

3. Check the piston for damage. If signs of damage are found, the piston AND the piston brake must be replaced. Check the piston brake for signs of wear of the synthetic rubber part.

NOTE Check the piston for straightness by rolling it on a smooth surface. Never use worn or damaged pistons and do not attempt to manipulate or modify the piston.

NOTE If the upper ring of the piston brake can be turned easily toward the lower ring, the piston brake is worn out and must be replaced.

4. If the piston has to be replaced, remove the piston brake from the fastener guide.
5. Insert the new piston brake, the right way round, in the fastener guide (or fastener magazine) that is to be fitted to the tool.

NOTE Spray the opening in the piston brake with Hilti lubricant spray.

NOTE The HVB fastener guide is equipped with a piston stopper instead of a piston brake.

6. Insert the piston into the piston guide in the tool.
7. Screw the fastener guide (or fastener magazine) onto the piston guide as far as it will go and then turn it back until it engages.
8. Cycle the tool once with the cycling grip.

8.2.2 Cleaning the piston guide 9 19 20 21 22

WARNING

All cartridges must be removed from the tool. All nails must be removed from the nail magazine or the fastener guide.

CAUTION

After the tool has been in use, the parts to be handled may be very hot. It is essential that gloves are worn if the following maintenance operations have to be carried out before the tool has been allowed to cool down.

1. Check that the tool cycling grip is in its starting position.

2. Unscrew and remove the nail magazine (or the fastener guide).
3. Remove the piston from the piston guide and remove the piston brake from the nail magazine (or fastener guide).
4. **CAUTION It is essential that the tool is held with the piston guide facing upwards. The piston guide may otherwise fall out.**
Open the piston guide release lever.
5. Pull the piston guide out of the tool.
NOTE Further disassembly of the piston guide is not necessary.
6. Clean the seat of the piston guide in the tool.
7. Use the large brushes to clean the inside and outside surfaces of the piston guide.
8. Use the small round brush to clean the bore for the regulating pin and use the tapered brush to clean the cartridge chamber.
9. Spray the slider and the collar of the piston guide with Hilti lubricant spray.
10. Spray the steel parts inside the tool with Hilti lubricant spray.
NOTE Use of lubricants other than Hilti spray may cause damage to rubber parts.

11. Check that the tool cycling grip is in its starting position.
12. Insert the piston guide into the tool.
13. Apply light pressure to the piston guide.
NOTE The lever can be closed only when the piston guide is pressed (several mm) into the tool. If the lever still cannot be closed, please refer to the information in section 9 "Troubleshooting".
14. Close the piston release lever with light pressure applied to the piston guide.
15. Insert the piston into the piston guide.
16. Fit the piston brake.
17. Screw the fastener guide (or fastener magazine) onto the piston guide as far as it will go and then turn it back until it engages.
18. Lubricate the cartridge transport mechanism by applying Hilti lubricant spray in the gap in the housing behind the cycling grip.
19. Cycle the tool once with the cycling grip.

8.3 Checking the tool after care and maintenance



After carrying out care and maintenance and before loading the cartridges, check that all safety devices have been fitted and that they function faultlessly.

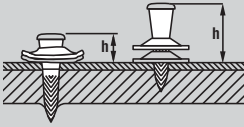
9. Troubleshooting

WARNING

The tool must be unloaded before taking any steps to remedy faults.

Fault	Possible cause	Remedy
Cartridges are not transported.	The cartridge strip is damaged.	Change the cartridge strip. See section: 7.3.1 Removing cartridges from the tool 7
	The tool is damaged.	Contact Hilti.
Cartridge strip can't be removed.	The tool is damaged or has overheated as a result of an excessively high fastener driving rate.	Allow the tool to cool and then carefully try again to remove the cartridge strip. Remove the piston guide from the tool. If a cartridge sleeve remains jammed in the cartridge chamber, use the round rod from the cleaning set to remove it. If this is still not possible, contact Hilti. NOTE Do not attempt to forcibly remove cartridges from the magazine strip or tool.

Fault	Possible cause	Remedy
Cartridge doesn't fire.	The tool is not pressed fully against the working surface.	Press the tool fully against the working surface and pull the trigger.
	The cartridge strip is used up.	Remove the used cartridge strip. Load a new strip.
	The magazine or fastener guide is not screwed on far enough.	Screw the magazine farther onto the tool.
	One of the cartridges is faulty.	Cycle the tool and use up the remaining cartridges.
	The tool is defective or the cartridges are faulty.	Contact Hilti.
	The tool is not cycled.	Cycle the tool.
Fastener penetrates too deeply (inadequate fastener stand-off). 	The fastener missed the steel beam.	Mark the position of the beam. Drive another fastener into the beam.
There is space between the sheet and the supporting material.	Check to ensure that the sheet rests tightly against the supporting material.	
The wrong piston has been fitted.	Check that the right combination of piston and fastener is used. Use the X-76-P-ENP-PTR piston for X-ENP fasteners. Use the X-76-P-ENP2K-PTR piston for ENP2K fasteners.	
Fastener doesn't penetrate deeply enough (excessive fastener stand-off). 	Fastener driven into the rib of the beam.	Drive a second fastener.
Supporting material is too thick, or the thickness has changed.	Increase fastener driving power in accordance with recommendations or, respectively, use a more powerful cartridge. See section: ?? ??	
Fastener driving power is too low.	Increase fastener driving power in accordance with recommendations or, respectively, use a more powerful cartridge. See section: ?? ??	
The tool needs to be cleaned.	Clean the tool.	
The piston is broken.	Change the piston and piston brake.	
The tool is damaged.	Contact Hilti.	
The wrong piston has been fitted.	Check that the right combination of piston and fastener is used. Use the X-76-P-ENP-PTR piston for X-ENP fasteners. Use the X-76-P-ENP2K-PTR piston with green mark for ENP2K fasteners.	

Fault	Possible cause	Remedy
<p>Fastener stand-off (head projection) varies considerably.</p> 	<p>The tool was pressed against the working surface with a jolt.</p>	<p>Press the tool against the working surface smoothly and avoid jolting.</p>
	<p>The tool is cycled unevenly, sometimes not fully.</p>	<p>Cycle the tool fully.</p>
	<p>Irregular driving power.</p>	<p>Clean the tool. Replace wearing parts with new parts. Contact Hilti if irregular driving power is still experienced.</p>
<p>Shear breakage.</p>	<p>The face of the piston is worn or chipped.</p>	<p>Change the piston and piston brake.</p>
	<p>Fastener driven into the rib of the beam.</p>	<p>Drive a second fastener beside the first one.</p>
	<p>The tool is pressed against the working surface at an angle.</p>	<p>Press the tool against the working surface at right angles.</p>
	<p>Supporting material is too thick, or the thickness has changed.</p>	<p>Check that the recommended type of fastener is used. If the right type of fastener is used, increase driving power in accordance with cartridge recommendations or use a more powerful cartridge.</p>
<p>The tool remains compressed (doesn't extend when pressure is released).</p>	<p>The piston is sticking in the piston brake.</p>	<p>Change the piston and piston brake. See section: 7.4.1 Disassembly 9 See section: 7.4.2 Assembly 10</p>
	<p>The tool needs to be cleaned.</p>	<p>See section: 8.2.2 Cleaning the piston guide 9 19 20 21 22</p>
	<p>The cartridge strip has jammed, the tool has overheated.</p>	<p>Please refer to the fault: "Cartridge strip can't be removed". Do not exceed the maximum recommended fastener driving rate.</p>
<p>The tool can't be fired.</p>	<p>The tool wasn't cycled correctly, the cycling grip is not in the starting position.</p>	<p>Cycle the tool completely and return the cycling grip to the starting position.</p>
	<p>The trigger is pulled before the tool is pressed fully against the working surface.</p>	<p>Press the tool fully against the working surface and then pull the trigger.</p>
	<p>Fastener transport malfunctions</p>	<p>See section: 7.2.1 Loading fastener strips in the magazine 2 See section: 7.3.2 Removing fastener strips from the tool 8</p>
	<p>The magazine or fastener guide is not screwed on far enough.</p>	<p>Screw the magazine farther onto the tool.</p>
<p>No fastener is driven.</p>	<p>The tool is damaged.</p>	<p>Contact Hilti.</p>

Fault	Possible cause	Remedy
No fastener is driven.	No fasteners in the tool.	Load fastener(s) into the tool.
	The magazine fastener transport mechanism is faulty.	Contact Hilti.
	No piston in the tool.	Fit the piston.
	The piston is broken.	Change the piston and piston brake.
	The piston doesn't return to its starting position.	Contact Hilti.
	The fastener guide needs to be cleaned.	Use the brushes provided to clean the fastener guide and associated parts. Lubricate with Hilti spray.
	Fasteners are jammed in the fastener guide.	Remove the jammed fasteners. Remove magazine strip plastic scraps from the tool magazine. Avoid shear breakage (see above). Avoid missing the beam (driving the fastener into unsupported sheet metal); mark the position of the beams accurately if necessary.
The fastener guide can't be screwed on to the tool fully.	The piston guide needs to be cleaned at the end of the threaded section.	Clean and lubricate the thread.
The piston can't be fitted.	The tool, especially the piston guide, needs to be cleaned.	Clean the fastener guide and the tool and refit the piston.
	Pins are visible in the piston guide.	Pull the pins forward until they can engage.
The piston guide can't be fitted.	The lever is in the closed position.	See section: 8.2.2 Cleaning the piston guide 9 19 20 21 22
	The piston guide is incorrectly positioned.	See section: 8.2.2 Cleaning the piston guide 9 19 20 21 22
Stiff cycling action.	The tool needs to be cleaned.	Clean the tool. See section: 8.2.2 Cleaning the piston guide 9 19 20 21 22
	The piston and piston brake have almost reached the end of their service life.	Change the piston and piston brake.
	The tool is damaged.	Contact Hilti.

10. Disposal



en

Most of the materials from which Hilti tools or appliances are manufactured can be recycled. The materials must be correctly separated before they can be recycled. In many countries, Hilti has already made arrangements for taking back old tools and appliances for recycling. Ask Hilti customer service or your Hilti representative for further information. If you wish to bring the tool to a recycling facility yourself: Follow regional and international directives and regulations.

Separate the individual parts as follows:

Part / assembly	Main material	Recycling
Hilti toolbox	Plastic	Plastics recycling
Outer casing	Plastic/Synthetic rubber	Plastics recycling
Piston	Steel	Scrap metal
Piston brake	Steel/Plastic	Scrap metal
Screws, small parts	Steel	Scrap metal
Used/partly-used cartridge strips	Steel/Plastic	In accordance with local regulations

11. Manufacturer's warranty - tools

Hilti warrants that the tool supplied is free of defects in material and workmanship. This warranty is valid so long as the tool is operated and handled correctly, cleaned and serviced properly and in accordance with the Hilti Operating Instructions, and the technical system is maintained. This means that only original Hilti consumables, components and spare parts, or other products of equivalent quality, may be used in the tool.

This warranty provides the free-of-charge repair or replacement of defective parts only over the entire lifespan of the tool. Parts requiring repair or replacement as a result of normal wear and tear are not covered by this warranty.

Additional claims are excluded, unless stringent national rules prohibit such exclusion. In particular, Hilti is not obligated for direct, indirect, incidental or consequential damages, losses or expenses in connection with, or by reason of, the use of, or inability to use the tool for any purpose. Implied warranties of merchantability or fitness for a particular purpose are specifically excluded.

For repair or replacement, send the tool or related parts immediately upon discovery of the defect to the address of the local Hilti marketing organization provided.

This constitutes Hilti's entire obligation with regard to warranty and supersedes all prior or contemporaneous comments and oral or written agreements concerning warranties.

12. EC declaration of conformity

Designation:	Powder-actuated fastening tool
Type:	DX 76 PTR
Year of design:	2005

Hilti Corporation



Norbert Wohlwend
 Head of Quality & Processes Management
 BU Direct Fastening
 10 2010



Raimund Zaggi
 Senior Vice President
 BU Direct Fastening
 10 2010

We declare, on our sole responsibility, that this product complies with the following directives and standards: 2006/42/EC.

13. Confirmation of CIP testing

The Hilti DX 76 PTR has been system and type tested. As a result, the tool bears the rectangular PTB approval mark showing approval number S 816. Hilti thus guarantees compliance with the approved type.

Unacceptable defects or deficiencies, etc. determined during use of the tool must be reported to the person responsible at the approval authority (PTB) and to the Office of the Permanent International Commission (C.I.P.).

14. Health and safety of the operator

14.1 Noise information

Powder-actuated fastening tool

Type	DX 76 PTR
Model	Series
Caliber	6.8/18 blue
Power regulation	4
Application	Fastening to 8 mm steel (400 MPa) with X-ENP 19 L15MX

Noise values measured and declared in accordance with ISO 4871:1996

Noise (power) level, $L_{WA, 1S}$	114 dB (A)
Measurement uncertainty, K_{WA}	2 dB
Sound pressure level at the workplace (1000 fastenings per day), L_{pAeq}	94 dB (A)
Measurement uncertainty, K_{pA}	2 dB
Sound pressure emission, $L_{pC, peak}$	139 dB (C)
Measurement uncertainty, K_{pC}	2 dB

Noise values were determined in accordance with the noise measurement instructions in EN 15895-1, based on the EN ISO 3744:1995 and EN ISO 11204:1995 standards.

NOTE The noise emissions measured and the associated measurement uncertainty represent the upper limit for the noise values to be expected during the measurements.

Variations in operating conditions may cause deviations from these emission values.

en

14.2 Vibration

Total vibration in accordance with 2006/42/EC does not exceed 2.5 m/s².

Further information about user health and safety can be found at www.hilti.com/hse.

en

DX 76 PTR Appareil de scellement

Avant de mettre l'appareil en marche, lire impérativement son mode d'emploi et bien respecter les consignes.

Le présent mode d'emploi doit toujours accompagner l'appareil.

Ne pas prêter ou céder l'appareil à un autre utilisateur sans lui fournir le mode d'emploi.

Sommaire	Page
1. Consignes générales	21
2. Description	22
3. Accessoires, consommables	25
4. Caractéristiques techniques	25
5. Consignes de sécurité	26
6. Mise en service	28
7. Utilisation	28
8. Nettoyage et entretien	33
9. Guide de dépannage	35
10. Recyclage	38
11. Garantie constructeur des appareils	39
12. Déclaration de conformité CE	39
13. Certificat d'essais CIP	39
14. Santé de l'utilisateur et sécurité	39

1 Les chiffres renvoient aux illustrations se trouvant sur les pages rabattables. Pour lire le mode d'emploi, rabattre ces pages de manière à voir les illustrations. Dans le présent mode d'emploi, « l'appareil » désigne toujours l'appareil de scellement DX 76 PTR.

Éléments de l'appareil et organes de commande **1**

Appareil DX 76 PTR

- ① Chargeur à clous MX 76-PTR
- ② Pointes de pression
- ③ Orifice de montage pour capot de protection
- ④ Poignée d'armement
- ⑤ Compartiment du chargeur à cartouches
- ⑥ Fenêtre de contrôle de chargement
- ⑦ Molette de réglage de la puissance
- ⑧ Indicateur du réglage de la puissance
- ⑨ Couvercle (rembourrage d'appui)
- ⑩ Coque du boîtier
- ⑪ Poignée rembourrée
- ⑫ Détente
- ⑬ Levier pour le démontage du guide-piston
- ⑭ Guide-piston
- ⑮ Pare-éclats chargeur à clous
- ⑯ Butée (élément de fixation)
- ⑰ Outils d'aération
- ⑱ Embase X-76-F-15-PTR
- ⑲ Capot de protection appareil

Pièces d'usure

- ⑳ Piston X-76-P-ENP-PTR
- ㉑ Piston X-76-P-ENP2K-PTR
- ㉒ Frein de piston X-76-P-PB-PTR

1. Consignes générales

1.1 Termes signalant un danger

DANGER

Pour un danger imminent qui peut entraîner de graves blessures corporelles ou la mort.

AVERTISSEMENT

Pour attirer l'attention sur une situation pouvant présenter des dangers susceptibles d'entraîner des blessures corporelles graves ou la mort.

ATTENTION

Pour attirer l'attention sur une situation pouvant présenter des dangers susceptibles d'entraîner des blessures corporelles légères ou des dégâts matériels.

REMARQUE

Pour des conseils d'utilisation et autres informations utiles.

1.2 Explication des pictogrammes et autres symboles d'avertissement

Symboles d'avertissement



Avertissement danger général



Avertissement substances explosives



Avertissement surfaces chaudes

Symboles d'obligation



Porter des lunettes de protection



Porter un casque de protection



Porter un casque antibruit



Porter des gants de protection

Symboles



Lire le mode d'emploi avant d'utiliser l'appareil

Identification de l'appareil

La désignation du modèle et le numéro de série se trouvent sur la plaque signalétique de l'appareil. Inscrire ces renseignements dans le mode d'emploi et toujours s'y référer pour communiquer avec notre représentant ou agence Hilti.

Type : _____

N° de série : _____

2. Description

2.1 Utilisation conforme à l'usage prévu

L'appareil est destiné aux professionnels de l'industrie du bâtiment et des industries annexes pour planter des éléments de fixation dans l'acier.

L'appareil ne doit être utilisé qu'en le tenant des deux mains.

Toute manipulation ou modification de l'appareil est interdite.

L'appareil ne doit pas être utilisé dans une atmosphère déflagrante ou inflammable, sauf s'il est agréé pour cela.

Pour éviter tout risque de blessure, utiliser uniquement les éléments de fixation, cartouches, accessoires et pièces de rechange Hilti d'origine ou de qualité équivalente.

Bien respecter les consignes concernant l'utilisation, le nettoyage et l'entretien de l'appareil qui figurent dans le présent mode d'emploi.

L'appareil et ses accessoires peuvent s'avérer dangereux s'ils sont utilisés de manière incorrecte par un personnel non qualifié ou de manière non conforme à l'usage prévu.

L'appareil ne doit être utilisé, entretenu et réparé que par un personnel formé à cet effet. Ce personnel doit être au courant des dangers inhérents à l'utilisation de l'appareil.

Comme sur tous les appareils de scellement à poudre, l'appareil, le chargeur, les cartouches et les éléments de fixation constituent une unité technique. Ceci implique que l'utilisateur ne peut travailler sans problème avec ce système que s'il utilise les éléments de fixation et les cartouches Hilti spécialement fabriqués à cet usage ou d'autres produits de qualité équivalente. Les recommandations d'Hilti concernant les fixations et applications sont uniquement valables dans ces conditions.

Pour garantir un résultat optimal ainsi qu'une grande fiabilité, nous recommandons l'utilisation de cartouches Hilti ou de produits de qualité identique.

De plus, la directive suivante s'applique aux états de l'UE et de l'AELE : Afin d'être utilisées en toute sécurité dans cet appareil, les cartouches doivent satisfaire aux exigences des contrôles de la C.I.P. correspondants (source : Comprehensive edition of adopted C.I.P. decisions, Liège, Belgique 2005) ainsi que par ailleurs des contrôles décrits sur le site www.hilti.com/cartridge-test.

L'appareil offre une protection 5 fois supérieure. Pour la sécurité de l'utilisateur de l'appareil et de son environnement de travail.

2.2 Principe du piston DX HILTI

L'énergie de la charge propulsive est transmise à un piston dont la masse, accélérée, enfonce l'élément de fixation dans le matériau support. Du fait de l'utilisation du principe du piston, l'appareil est à classer en tant que "Low Velocity Tool". Environ 95 % de l'énergie cinétique est contenue dans le piston. Comme le piston est arrêté par le frein de piston dans toutes les circonstances à la fin de chaque cycle de positionnement, l'excédent d'énergie reste dans l'appareil. Tout transperçement dangereux est par conséquent pratiquement exclu, à condition que l'appareil soit utilisé correctement.

2.3 Sécurité contre les tirs intempestifs en cas de chute

La sécurité contre les tirs intempestifs en cas de chute résulte de l'action combinée de percussion et du mouvement de va-et-vient (course d'implantation). Elle évite toute mise à feu intempestive si l'appareil vient à tomber sur une surface dure, quel que soit l'angle de chute.

2.4 Sécurité de détente

La sécurité de détente évite toute percussion si la détente seule est pressée. Pour qu'il y ait percussion, il faut en plus que l'appareil prenne appui complètement contre un support solide.

2.5 Sécurité d'appui

La sécurité d'appui nécessite d'exercer une force d'appui supérieure à 50 N pour que la percussion puisse se produire. Par conséquent, le tir n'est possible que si l'appareil est complètement appuyé contre le matériau support.

2.6 Sécurité de déclenchement

Par ailleurs, l'appareil est équipé d'une sécurité de déclenchement qui empêche toute percussion inopinée si la détente est pressée avant que l'appareil soit appuyé contre la surface de travail. Ainsi, le tir ne peut être déclenché que si l'appareil est d'abord fermement et correctement appuyé contre le matériau support et ensuite seulement, sa détente pressée.

2.7 Appareil DX 76 PTR, applications et liste des éléments de fixation

Fixation de profilés sur de l'acier, épaisseur de l'acier 6 mm jusqu'à acier plein

Liste	Désignation	Remarque
Éléments de fixation	X-ENP-19 L15 MX	10 clous en bande
Chargeur à clous	MX 76-PTR	
Piston	X-76-P-ENP-PTR	

Liste	Désignation	Remarque
Éléments de fixation	X-ENP-19 L15	Clou unitaire
Embase unitaire	X-76-F-15-PTR	

Fixation de profilés sur de l'acier, épaisseur de l'acier 3 à 6 mm

Liste	Désignation	Remarque
Éléments de fixation	X-ENP2K-20 L15 MX	10 clous en bande
Chargeur à clous	MX 76-PTR	
Piston	X-76-P-ENP2K-PTR	

Liste	Désignation	Remarque
Éléments de fixation	ENP2K-20 L15	Clou unitaire
Embase unitaire	X-76-F-15-PTR	

Fixation de goujons

Liste	Désignation	Remarque
Éléments de fixation	X-ENP-21 HVB	2 pièces par goujon
Goujon	X-HVB 50/ 80/ 95/ 110/ 125/ 140	
Canon	X-76-F-HVB-PTR	
Piston	X-76-P-HVB-PTR	

Fixation de profilés sur du béton (DX-Kwik)

Liste	Désignation	Remarque
Éléments de fixation	NPH2-42 L15	
Embase	X-76-F-Kwik-PTR	
Piston	X-76-P-Kwik-PTR	
Mèche à butée	TX-C 5/23	Mèche à butée pour pré-perçage

Éléments de fixation (diamètre de 8 mm) pour caillebotis

Liste	Désignation	Remarque
Éléments de fixation	X-EM8H/ X-CR M8	Pour l'implantation de X-FCM-M, X-FCM-R, X-FCP-F, X-FCP-R
Éléments de fixation	X-GR/ X-GR-RU	Système de fixation pour caillebotis
Canon	X-76-F-8-GR-PTR	
Piston	X-76-P-8-GR-PTR	

Éléments de fixation sur matériau support en acier et béton

Liste	Désignation	Remarque
Éléments de fixation	DS 27-37	Clous de fixations universelles pour fortes charges dans du béton et de l'acier
Éléments de fixation	EDS 19-22	Clous de fixation dans l'acier
Éléments de fixation	X-EM10H	Goujons de 10 mm sur des supports en acier

Liste	Désignation	Remarque
Canon	X-76-F-10-PTR	
Piston	X-76-P-10-PTR	

3. Accessoires, consommables

Coffret Hilti	DX 76 PTR KFD, grand, avec compartiment à cartouches verrouillable
Coffret pour l'appareil à chargeur	DX 76 PTR
Ensemble de nettoyage	DX 76 / 860-ENP, Brosse plate, écouvillon Ø 25, écouvillon Ø 8, chasse-pointe, chamoisette
Lunettes de protection	incolors / teintées
Lunettes de sécurité	
Casque antibruit	petit
Spray lubrifiant Hilti	
Ensemble piston et frein de piston	X-76-P-ENP-PTR et X-76-P-ENP2K-PTR
Capot de protection pour chargeur et canons à goujon unique	
Calibre de vérification DX 76 PTR	
Piston supplémentaire	
Kit de réparation de l'élément coulissant	

Type de cartouches	Désignation
Recharge extra forte	6.8/18 M noires
Très forte recharge	6.8/18 M rouges
Forte recharge	6.8/18 M bleues
Faible recharge	6.8/18 M vertes

4. Caractéristiques techniques

Sous réserve de modifications techniques !

REMARQUE

* pour garantir un bon fonctionnement.

Appareil	DX 76 PTR
Poids avec chargeur	4,37 kg
Dimensions (L × l × h)	464 mm × 104 mm × 352 mm
Capacité du chargeur	10 éléments
Course d'implantation	32 mm
Pression d'appui	90...130 N
Température de service / température ambiante	-15...+50 °C
Cadence de tir moyenne maximale*	600/h

fr

5. Consignes de sécurité

5.1 Remarques fondamentales concernant la sécurité

En plus des consignes de sécurité figurant dans les différentes sections du présent mode d'emploi, il importe de toujours bien respecter les directives suivantes.

5.1.1 Sécurité des personnes

- a) Restez vigilant, surveillez ce que vous faites. Faites preuve de bon sens en utilisant un appareil de montage direct. N'utilisez pas l'appareil lorsque vous êtes fatigué ou après avoir consommé de l'alcool, des drogues ou avoir pris des médicaments. Un moment d'inattention lors de l'utilisation de l'appareil peut entraîner de graves blessures sur les personnes.
- b) Adopter une bonne posture. Veiller à toujours rester stable et à garder l'équilibre.
- c) Ne jamais diriger l'appareil vers soi ou vers une autre personne.
- d) Ne jamais appuyer l'appareil contre la paume de la main ou contre une autre partie du corps (ni contre une autre personne).
- e) Lors du travail, tenir toutes tierces personnes, notamment les enfants, éloignées de l'endroit d'intervention.
- f) Lors de l'utilisation de l'appareil, garder les bras fléchis (ne pas tendre les bras).

5.1.2 Utilisation et emploi soigneux des appareils de montage direct

- a) Utiliser l'appareil approprié. Ne pas utiliser l'appareil à des fins non prévues, mais seulement conformément aux spécifications et dans un excellent état.
- b) Appuyer l'appareil perpendiculairement à la surface de travail.
- c) Ne jamais laisser un appareil chargé sans surveillance.
- d) Toujours décharger l'appareil avant de le nettoyer, de l'entretenir, de le réviser, ainsi qu'après le travail et avant de le stocker (cartouche et éléments de fixation).
- e) Tous les appareils non utilisés doivent être déchargés, rangés dans un endroit sec, en

hauteur ou fermé à clé, hors de portée des enfants.

- f) Vérifier que l'appareil et les accessoires ne présentent pas de dommages éventuels. Avant toute autre utilisation, les dispositifs de sécurité et les pièces légèrement endommagées doivent être soigneusement contrôlés pour garantir un excellent fonctionnement, conforme aux spécifications. Vérifier que toutes les pièces mobiles fonctionnent parfaitement et ne coincent pas, et que les pièces ne sont pas abîmées. Toutes les pièces doivent être montées correctement et remplir toutes les conditions propres à garantir le parfait fonctionnement de l'appareil. Les dispositifs de sécurité et les pièces endommagées doivent être réparés ou remplacés de manière professionnelle par le S.A.V. Hilti, sauf indication contraire dans le mode d'emploi.
- g) Actionner la détente uniquement lorsque l'appareil est appuyé complètement à la verticale contre le matériau récepteur.
- h) Toujours maintenir l'appareil fermement et perpendiculairement au matériau récepteur pour effectuer un tir. Ainsi, l'élément de fixation n'est pas dévié du matériau récepteur.
- i) Ne jamais refixer l'élément de fixation par un deuxième tir, car l'élément risque de se rompre et se coincer.
- j) Ne jamais réaliser de fixation à travers des trous existants, sauf lorsque cela est recommandé par Hilti.
- k) Toujours respecter les consignes d'utilisation.
- l) Utiliser dans la mesure du possible les capots de protection.
- m) Ne pas retirer le chargeur/canon à la main, l'appareil peut, le cas échéant, se déclencher. Ceci peut également entraîner un tir sur les parties du corps.

5.1.3 Place de travail



- a) **Veiller à ce que l'espace de travail soit bien éclairé.**
- b) **Utiliser l'appareil uniquement dans des emplacements bien aérés.**
- c) **Ne jamais implanter d'éléments de fixation dans un matériau récepteur inapproprié.** Un matériau trop dur est par exemple l'acier soudé ou l'acier fondu. Un matériau trop mou est par exemple le bois ou le placoplâtre. Un matériau trop fragile est par exemple le verre ou le carrelage. L'implantation dans ces types de matériaux peut entraîner la rupture de l'élément ainsi que des projections d'éclats, et le matériau risque d'être transpercé de part en part.
- d) **Ne jamais implanter de clous dans le verre, le marbre, le plastique, le bronze, le laiton, le cuivre, la roche, les matériaux isolants, la brique creuse, la brique céramique, les tôles minces (< 2,7 mm), la fonte et le béton cellulaire.**
- e) **Avant d'implanter des éléments de fixation, toujours vérifier que personne ne se trouve derrière ou en dessous de l'endroit d'intervention.**
- f) **Laisser le poste de travail en ordre. Débarrasser le poste de travail de tous objets susceptibles de blesser.** Un lieu de travail en désordre peut entraîner des accidents.
- g) **Les poignées doivent toujours être sèches, propres et exemptes de toutes traces de graisse ou d'huile.**
- h) **Porter des chaussures à semelle antidérapante.**
- i) **Prêter attention aux influences de l'environnement de l'espace de travail. Protéger l'appareil des intempéries, ne pas l'utiliser dans un environnement humide ou mouillé. Ne pas utiliser l'appareil dans des endroits présentant un danger d'incendie ou d'explosion.**

5.1.4 Mesures de sécurité mécanique



- a) **Utiliser les combinaisons d'éléments de fixation et de l'embase appropriées.** Si la combinaison

utilisée n'est pas correcte, cela risque d'entraîner des blessures corporelles, d'endommager l'appareil et / ou d'affecter la qualité de fixation.

- b) **Utiliser uniquement des éléments de fixation conçus et homologués pour l'appareil.**
- c) **Ne pas insérer d'éléments de fixation dans le chargeur, s'il n'est pas correctement monté sur l'appareil. Les éléments de fixation risquent d'être projetés.**
- d) **N'utiliser aucun frein de piston usé et n'effectuer aucune manipulation sur le piston.**

5.1.5 Mesures de sécurité thermique



- a) **En cas de surchauffe de l'appareil, le laisser refroidir. Ne pas dépasser la cadence de tir maximale.**
- b) **Porter impérativement des gants de protection lorsque des opérations d'entretien doivent être effectuées sans avoir laissé l'appareil refroidir au préalable.**
- c) **Si le plastique des bandes-chargeurs de cartouches commence à fondre, laisser refroidir l'appareil.**

5.1.6 Danger d'explosion



- a) **Utiliser uniquement les cartouches homologuées pour l'appareil.**
- b) **Retirer avec précaution la bande-chargeur de cartouches de l'appareil.**
- c) **Ne jamais essayer de retirer de force des cartouches de leur bande-chargeur ou de l'appareil.**
- d) **Les cartouches non utilisées doivent être rangées dans un endroit sec en hauteur ou fermé à clé, hors de portée des enfants.**

5.1.7 Équipement de protection individuelle



L'appareil doit porter des lunettes de protection adaptées, un casque de protection et un casque antibruit. L'utilisateur doit aussi porter des gants de protection.

L'utilisateur et les personnes se trouvant à proximité pendant l'utilisation et toute intervention sur

fr

6. Mise en service



REMARQUE

Avant de mettre l'appareil en marche, lire impérativement son mode d'emploi et bien respecter les consignes.

6.1 Vérification de l'appareil

Vérifier qu'aucune bande-chargeur de cartouches ne se trouve dans l'appareil. Si une bande-chargeur de cartouches se trouve dans l'appareil, la faire avancer

en actionnant plusieurs fois la poignée d'armement jusqu'à ce qu'elle puisse être saisie côté sortie de cartouche et retirer la bande-chargeur de cartouches en la tirant.

Vérifier toutes les pièces extérieures de l'appareil pour voir si elles ne sont pas abîmées et s'assurer que tous les organes de commande fonctionnent correctement. Ne pas utiliser l'appareil si des pièces sont abîmées ou si des organes de commande ne fonctionnent pas parfaitement. Faire réparer l'appareil par le S.A.V. Hilti.

Vérifier le montage et l'usure du piston et du frein de piston.

7. Utilisation



REMARQUE

Lorsque l'appareil est tenu par les deux mains, celles-ci doivent être positionnées de manière à ne pas obstruer les sorties.

AVERTISSEMENT

Pendant le tir, la matière peut s'écailler ou des fragments du matériau de bande-chargeur peuvent être projetés. **Porter (utilisateur et personnes environnantes) des lunettes et un casque de protection.** Les éclats de matériau peuvent entraîner des blessures corporelles et oculaires.

ATTENTION

L'implantation d'éléments de fixation est déclenchée par l'allumage d'une charge propulsive. **Porter (utilisateur et personnes environnantes) un casque antibruit.** Un bruit trop intense peut entraîner des lésions auditives.

AVERTISSEMENT

Lorsque l'appareil est appuyé contre une partie du corps (la paume de la main par ex.), ce qui est contraire aux consignes, l'appareil est prêt à implanter. Ceci peut également entraîner un tir sur les parties du corps (risque de se blesser avec les clous ou le piston). **Ne jamais appuyer l'appareil contre des parties du corps.**

ATTENTION

Ne jamais refixer l'élément de fixation par un deuxième tir, car l'élément risque de se rompre et se coincer.

ATTENTION

Ne jamais réaliser de fixation à travers des trous existants, sauf lorsque cela est recommandé par Hilti.

ATTENTION

En cas de surchauffe de l'appareil, le laisser refroidir. Ne pas dépasser la cadence de tir maximale.

7.1 Utilisation

Directives concernant les fixations. Toujours respecter ces directives d'utilisation.

REMARQUE

Pour de plus amples informations, se référer aux directives techniques de la filiale Hilti locale ou, le cas échéant, aux prescriptions techniques nationales.

7.2 Comportement en cas de ratés

En cas de tirs ratés, toujours procéder de la manière suivante :

Tenir l'appareil appuyé contre la surface de travail pendant 30 secondes.

Si la cartouche ne percute toujours pas, dégager l'appareil de la surface de travail, et ce faisant, prendre soin de ne jamais le pointer contre soi ou en direction d'une autre personne.

Faire avancer la bande de cartouches en armant successivement cartouche par cartouche ; continuer d'utiliser les cartouches qui restent dans la bande de cartouches ; une fois la bande de cartouches terminée, la retirer et l'éliminer de sorte qu'elle ne puisse être ni réutilisée ni utilisée à mauvais escient.

7.2.1 Insertion des bandes d'éléments de fixation dans le chargeur 2

Introduire la bande d'éléments de fixation par le haut dans le chargeur, jusqu'à ce que la butée s'encliquette au niveau de la rondelle du dernier élément.

7.2.2 Sélection des cartouches 3

1. Déterminer la dureté de l'acier et l'épaisseur du matériau support.
2. Sélectionner la cartouche appropriée ainsi que le réglage de puissance selon les recommandations relatives à la cartouche.

REMARQUE Pour des recommandations détaillées relatives à la cartouche, consulter les homologations correspondantes ou la notice Hilti sur la fixation directe.

7.2.3 Mise en place de la bande-chargeur de cartouches 4

Pousser la bande-chargeur de cartouches à fond dans le compartiment du chargeur à cartouches latéral.

7.2.4 Pose à l'aide de l'appareil de scellement à chargeur 5

1. Appuyer l'appareil perpendiculairement à la surface de travail.
2. Appuyer sur la détente pour déclencher le tir.
3. Pour effectuer une nouvelle pose, pousser la poignée d'armement vers l'arrière puis à nouveau vers l'avant.

7.2.5 Vérification et réglage de la puissance de tir 3 6

REMARQUE

Tourner la molette de réglage pour régler la puissance de l'appareil. (Niveau 1 = Minimum ; Niveau 4 = Maximum)

1. À l'aide du calibre de vérification, contrôler le dépassement de l'élément.
2. Si un élément de fixation est trop peu enfoncé, la puissance doit être augmentée. Augmenter la puissance d'un cran à l'aide de la molette de réglage de la puissance. Si un élément de fixation est trop enfoncé, il faut vérifier si le matériau support a été transpercé ou non par cette implantation. Corriger l'exécution du travail de sorte que la tôle repose à fleur sur le matériau support et que celui-ci ne soit pas transpercé ou ne présente que des transpercements minimes.
3. Insérer un élément de fixation.
4. À l'aide du calibre de vérification, contrôler le dépassement de l'élément.
5. Si l'élément de fixation est encore trop peu ou trop enfoncé, répéter les étapes 2 à 4 jusqu'à obtenir la saillie voulue. Le cas échéant, utiliser une cartouche d'éléments plus, respectivement, moins puissante.

7.3 Déchargement de l'appareil

7.3.1 Retrait des cartouches hors de l'appareil 7

AVERTISSEMENT

Ne jamais essayer de retirer de force des cartouches de leur bande-chargeur ou de l'appareil.

1. Faire avancer la bande-chargeur de cartouches en actionnant plusieurs fois la poignée d'armement jusqu'à ce que l'ouverture de retrait de la cartouche soit visible.
2. Retirer la bande-chargeur de cartouches de l'ouverture de retrait de la cartouche.

7.3.2 Sortir les bandes-chargeurs d'éléments de fixation de l'appareil de scellement à chargeur **8**

AVERTISSEMENT

Vérifier qu'aucune bande-chargeur de cartouches ne se trouve dans l'appareil. Si une bande-chargeur de cartouches se trouve dans l'appareil, actionner la poignée d'armement sur l'appareil jusqu'à ce que la cartouche soit visible, puis la retirer manuellement par l'ouverture de retrait de la cartouche.

ATTENTION

La bande d'éléments est éjectée sous l'effet de la tension du ressort.

1. Enfoncer la bande d'éléments de fixation de 5 mm supplémentaires dans le chargeur et la maintenir fermement dans cette position.
2. Pousser la butée rouge vers l'avant avec le pouce et la maintenir fermement dans cette position.
3. Sortir la bande d'éléments de fixation du chargeur.

7.4 Remplacement du chargeur à clous ou du canon (accessoire)

7.4.1 Démontage **9**

AVERTISSEMENT

Aucune cartouche ne doit se trouver dans l'appareil. Aucun élément de fixation ne doit se trouver dans le chargeur à clous ou dans le canon.

ATTENTION

Après l'utilisation, les pièces constitutives à manipuler peuvent être brûlantes. Porter impérativement des gants de protection lorsque les étapes d'entretien suivantes doivent être effectuées sans avoir laissé l'appareil refroidir au préalable.

1. S'assurer que la poignée d'armement se trouve dans sa position initiale.
2. Dévisser le chargeur (ou l'embase).
3. Retirer le piston du guide-piston et la bague d'arrêt PTR du chargeur.

7.4.2 Montage **10**

1. Insérer la bague PTR comme il convient dans le canon (ou le chargeur) à monter.
Exception : L'embase HVB ; la butée de piston doit alors être introduite comme il convient (caoutchouc vers l'avant).
2. S'assurer que la poignée d'armement se trouve dans sa position initiale.
3. Insérer le piston approprié dans le guide-piston dans l'appareil.
4. Revisser le canon (ou le chargeur) jusqu'en butée sur le guide-piston et le tourner jusqu'à ce qu'il s'enclenche.
5. Actionner une fois la poignée d'armement.

7.5 Pose à l'aide de l'embase unitaire (accessoire)

AVERTISSEMENT

Vérifier que le capot de protection est monté sur l'appareil.

7.5.1 Insertion d'éléments de fixation dans l'embase unitaire **11**

1. Tourner l'appareil de sorte que le canon soit orienté vers le haut.
2. Insérer l'élément de fixation par le haut dans l'appareil.

7.5.2 Sélection des cartouches **3**

1. Déterminer la dureté de l'acier et l'épaisseur du matériau support.
2. Sélectionner la cartouche appropriée ainsi que le réglage de puissance selon les recommandations relatives à la cartouche.

REMARQUE Pour des recommandations détaillées relatives à la cartouche, consulter les homologations correspondantes ou la notice Hilti sur la fixation directe.

7.5.3 Mise en place de la bande-chargeur de cartouches **4**

Pousser la bande-chargeur de cartouches à fond dans le compartiment du chargeur à cartouches latéral.

7.5.4 Pose à l'aide de l'appareil de scellement individuel

1. Appuyer l'appareil perpendiculairement à la surface de travail.

- Appuyer sur la détente pour déclencher le tir.
- Pour effectuer une nouvelle pose, pousser la poignée d'armement vers l'arrière puis à nouveau vers l'avant.

7.5.5 Vérification et réglage de la puissance de tir 3 6

REMARQUE

Tourner la molette de réglage pour régler la puissance de l'appareil. (Niveau 1 = Minimum ; Niveau 4 = Maximum)

Contrôler la puissance de tir et le réglage de puissance conformément au paragraphe 7.2.5 "Vérification et réglage de la puissance de tir".

7.6 Fixation de goujons (accessoire) 9 12

AVERTISSEMENT

Vérifier que le capot de protection est monté sur l'appareil.

7.6.1 Insertion d'un élément dans le canon HVB

REMARQUE

Insertion du premier élément dans le goujon

REMARQUE

Tenir compte du fait que le canon HVB dispose d'une bague d'arrêt (X-76-PS) et n'a pas de bague d'arrêt (X-76-PB-PTR).

REMARQUE

L'embase HVB n'a par conséquent pas de protection contre la perforation (fonctionnalité PTR).

- Monter le canon HVB conformément au paragraphe 7.4 "Remplacement/ Montage du chargeur à clous ou du canon (accessoire)".
- Tourner l'élément coulissant jusqu'à ce qu'il s'enclenche et que le chiffre 1 soit visible.
- Tourner l'appareil de sorte que le canon soit orienté vers le haut.
- Guider l'élément par le haut à travers l'orifice marqué dans l'appareil.

7.6.2 Mise en place de la bande-chargeur de cartouches

REMARQUE

Pour la fixation de goujons HVB, utiliser de préférence des cartouches noires ou, dans certains cas aussi, des cartouches rouges. Pour des recommandations détaillées relatives à la cartouche, consulter les ho-

mologations correspondantes ou la notice Hilti sur la fixation directe.

Pousser la bande-chargeur de cartouches à fond dans le compartiment du chargeur à cartouches latéral.

7.6.3 Pose à l'aide du canon HVB 13

- Monter le goujon sur l'embase. Il est maintenu par un aimant.
- Appuyer l'appareil perpendiculairement à la surface de travail.
- Appuyer sur la détente pour déclencher le tir.
- Pour effectuer une nouvelle pose, pousser la poignée d'armement vers l'arrière puis à nouveau vers l'avant.

7.6.4 Vérification et réglage de la puissance de tir 3 6

REMARQUE

Tourner la molette de réglage pour régler la puissance de l'appareil. (Niveau 1 = Minimum ; Niveau 4 = Maximum)

Contrôler la puissance de tir et le réglage de puissance conformément au paragraphe 7.2.5 "Vérification et réglage de la puissance de tir".

7.6.5 Insertion du deuxième élément dans le canon HVB 14

REMARQUE

Insertion du deuxième élément dans le goujon

- Tourner l'élément coulissant jusqu'à ce qu'il s'enclenche et que le chiffre 2 soit visible.
- Tourner l'appareil de sorte que le canon soit orienté vers le haut.
- Guider l'élément par le haut à travers l'orifice marqué dans l'appareil.

7.6.6 Insertion du canon HVB 15

- Insérer l'embase dans l'étrier de fixation et maintenir l'appareil perpendiculairement à la surface de travail.
- Appuyer sur la détente pour déclencher le tir.
- Pour effectuer une nouvelle pose, pousser la poignée d'armement vers l'arrière puis à nouveau vers l'avant.

7.7 Fixation de caillebotis (accessoire) 9 16

AVERTISSEMENT

Vérifier que le capot de protection est monté sur l'appareil.

7.7.1 Insertion d'un élément dans l'embase X-GR (F8)

1. Monter le caillebotis conformément au paragraphe 7.4 "Remplacement/ Montage du chargeur à clous ou du canon (accessoire)".
2. Tourner l'appareil de sorte que le canon soit orienté vers le haut.
3. Insérer l'élément de fixation par le haut dans l'appareil.

7.7.2 Mise en place de la bande-chargeur de cartouches 4

Pousser la bande-chargeur de cartouches à fond dans le compartiment du chargeur à cartouches latéral.

7.7.3 Pose à l'aide de l'embase à caillebotis

1. Appuyer l'appareil perpendiculairement à la surface de travail.
2. Appuyer sur la détente pour déclencher le tir.
3. Si possible, vérifier la profondeur d'enfoncement en mesurant la saillie du goujon.
4. Si une coupelle est utilisée, la visser (couple de serrage de 5 à 8 Nm).
5. Pour effectuer une nouvelle pose, pousser la poignée d'armement vers l'arrière puis à nouveau vers l'avant.

7.7.4 Vérification et réglage de la puissance de tir 3 6

REMARQUE

Tourner la molette de réglage pour régler la puissance de l'appareil. (Niveau 1 = Minimum ; Niveau 4 = Maximum)

Contrôler la puissance de tir et le réglage de puissance conformément au paragraphe 7.2.5 "Vérification et réglage de la puissance de tir".

7.8 Fixation avec le canon F10

AVERTISSEMENT

Vérifier que le capot de protection est monté sur l'appareil.

Pour la fixation, procéder avec le canon F10 comme pour la fixation pour caillebotis (chapitre 7.7.).

7.9 Fixation de profilés sur du béton (accessoire DX Kwik)

AVERTISSEMENT

Vérifier que le capot de protection est monté sur l'appareil.

7.9.1 Insertion d'un élément dans l'embase DX Kwik 9 17

1. Monter l'embase DX Kwik conformément au paragraphe 7.4 "Remplacement/ Montage du chargeur à clous ou du canon (accessoire)".
2. Tourner l'appareil de sorte que le canon soit orienté vers le haut.
3. Insérer l'élément de fixation par le haut dans l'appareil.

7.9.2 Mise en place de la bande-chargeur de cartouches

REMARQUE

Pour la fixation de profilés sur du béton, utiliser de préférence des cartouches bleues. Pour des recommandations détaillées relatives à la cartouche, consulter les homologations correspondantes ou la notice Hilti sur la fixation directe.

Pousser la bande-chargeur de cartouches à fond dans le compartiment du chargeur à cartouches latéral.

7.9.3 Pose à l'aide de l'embase DX Kwik 13

1. Percer préalablement le profilé ainsi que le matériau support en béton à l'aide de la mèche à butée.
2. Insérer le clou saillant du canon dans le trou préalablement percé et appuyer l'appareil perpendiculairement.
3. Appuyer sur la détente pour déclencher le tir.
4. Pour effectuer une nouvelle pose, pousser la poignée d'armement vers l'arrière puis à nouveau vers l'avant.

7.9.4 Vérification et réglage de la puissance de tir 3 6

REMARQUE

Tourner la molette de réglage pour régler la puissance de l'appareil. (Niveau 1 = Minimum ; Niveau 4 = Maximum)

Contrôler la puissance de tir et le réglage de puissance conformément au paragraphe 7.2.5 "Vérification et réglage de la puissance de tir".

8. Nettoyage et entretien



ATTENTION

Lors d'un fonctionnement normal et régulier de l'appareil, les pièces constitutives importantes s'encrassent et s'usent. **Pour que l'appareil fonctionne de manière fiable et sûre, l'inspecter et l'entretenir régulièrement. Nous recommandons de nettoyer l'appareil et de vérifier les pistons et les freins de piston au moins une fois par jour en cas d'utilisation intensive, au plus tard tous les 3000 tirs !**

AVERTISSEMENT

Aucune cartouche ne doit se trouver dans l'appareil. Aucun élément de fixation ne doit se trouver dans le chargeur à clous ou dans le canon.

ATTENTION

L'appareil peut être très chaud après utilisation. L'utilisateur risque de se brûler les mains. **Pour les travaux de nettoyage et d'entretien, utiliser des gants de protection. Laisser refroidir l'appareil.**

8.1 Nettoyage de l'appareil

Nettoyer régulièrement l'extérieur de l'appareil avec un chiffon légèrement humide.

REMARQUE

Ne pas utiliser de spray ni de jet de vapeur pour nettoyer l'appareil ! Ne jamais faire fonctionner l'appareil si ses ouïes d'aération sont bouchées ! Éviter toute pénétration de corps étrangers à l'intérieur de l'appareil.

8.2 Entretien

Vérifier régulièrement toutes les pièces extérieures de l'appareil pour voir si elles ne sont pas abîmées et s'assurer que tous les organes de commande fonctionnent correctement. Ne pas utiliser l'appareil si des pièces sont abîmées ou si des organes de commande ne fonctionnent pas parfaitement. Faire réparer l'appareil par le S.A.V. Hilti.

Faire fonctionner l'appareil uniquement avec les cartouches et le réglage de puissance recommandés. Un mauvais choix de cartouche ou un réglage de

puissance trop élevé peut entraîner une défaillance prématurée de pièces de l'appareil.

ATTENTION

Les saletés dans les appareils DX contiennent des substances susceptibles de nuire à la santé. **Veiller à ne pas inspirer de poussières / salissures d'aspiration. Éviter que les poussières / salissures n'entrent en contact avec de la nourriture. Se laver les mains après le nettoyage de l'appareil. Ne jamais utiliser de graisse pour l'entretien / la lubrification des composants de l'appareil. Ceci peut entraîner des dysfonctionnements de l'appareil. Utiliser exclusivement le lubrifiant Hilti ou des produits de qualité équivalente.**

8.2.1 Vérification du piston, remplacement du piston / frein de piston

AVERTISSEMENT

Aucune cartouche ne doit se trouver dans l'appareil. Aucun élément de fixation ne doit se trouver dans le chargeur à clous ou dans le canon.

ATTENTION

Après l'utilisation, les pièces constitutives à manipuler peuvent être brûlantes. **Porter impérativement des gants de protection lorsque les étapes d'entretien suivantes doivent être effectuées sans avoir laissé l'appareil refroidir au préalable.**

REMARQUE

Des échecs répétés de tir peuvent entraîner une usure du piston et de la bague d'arrêt. Si le piston est fissuré, et/ou que l'élastomère du frein de piston est fortement usé, c'est que ces composants ont atteint la fin de leur durée de service.

REMARQUE

La vérification du piston et du frein de piston doit être effectuée à intervalles réguliers, au moins une fois par jour.

REMARQUE

Pour remplacer le piston et le frein de piston, seul le chargeur ou le canon doit être dévissé. Le guide-piston ne doit pas être démonté.

1. Dévisser le canon (ou le chargeur).
2. Retirer le piston du guide-piston.
3. Vérifier que le piston n'est pas endommagé. S'ils sont endommagés, le piston ET le frein de piston doivent être remplacés. Contrôler l'usure du piston pour vérifier qu'il n'y a pas de traces d'usure de l'élastomère
REMARQUE Vérifier que le piston n'est pas déformé en le faisant rouler sur une surface lisse. N'utiliser aucun piston usé et n'effectuer aucune manipulation sur le piston.
REMARQUE Si l'anneau supérieur de la bague PTR se laisse facilement tourner contre l'anneau inférieur, c'est que le frein de piston est vide et doit être remplacé.
4. Si le piston doit être remplacé, sortir la bague d'arrêt de l'embase.
5. Insérer la nouvelle bague d'arrêt comme il convient dans le canon (ou le chargeur) à monter.
REMARQUE Vaporiser l'orifice du frein de piston avec le spray Hilti.
REMARQUE Le canon HVB est équipé d'une butée de piston au lieu du frein de piston.
6. Insérer le piston dans le guide-piston dans l'appareil.
7. Revisser le canon (ou le chargeur) jusqu'en butée sur le guide-piston et le tourner jusqu'à ce qu'il s'enclenche.
8. Actionner une fois la poignée d'armement.

8.2.2 Nettoyage du guide-piston 9 19 20 21 22

AVERTISSEMENT

Aucune cartouche ne doit se trouver dans l'appareil. Aucun élément de fixation ne doit se trouver dans le chargeur à clous ou dans le canon.

ATTENTION

Après l'utilisation, les pièces constitutives à manipuler peuvent être brûlantes. **Porter impérativement des gants de protection lorsque les étapes d'entretien suivantes doivent être effectuées sans avoir laissé l'appareil refroidir au préalable.**

1. S'assurer que la poignée d'armement se trouve dans sa position initiale.
2. Dévisser le chargeur (ou l'embase).
3. Retirer le piston du guide-piston et la bague d'arrêt PTR du chargeur (ou de l'embase).

4. **ATTENTION Tenir l'appareil impérativement avec le guide-piston vers le haut, pour éviter que le guide-piston ne tombe.**

Faire sortir le levier pour démonter le canon.

5. Sortir le guide-piston de l'appareil.
REMARQUE Ne pas démonter davantage le guide-piston.
6. Nettoyer le support du guide-piston dans l'appareil.
7. À l'aide des grands écouvillons, nettoyer la surface du guide-piston à l'intérieur et à l'extérieur.
8. À l'aide du petit écouvillon, nettoyer l'orifice prévu pour la broche d'ajustement, et à l'aide de l'écouvillon conique, le logement de la cartouche.
9. Vaporiser l'élément coulissant et le collet du guide-piston avec le spray Hilti.
10. Vaporiser les pièces en acier à l'intérieur de l'appareil avec le spray Hilti.
REMARQUE L'utilisation de lubrifiants autres que le spray Hilti risque d'endommager les pièces en caoutchouc.
11. S'assurer que la poignée d'armement se trouve dans sa position initiale.
12. Glisser le guide-piston dans l'appareil.
13. Appuyer légèrement sur le guide-piston.
REMARQUE Il est seulement possible d'actionner le levier lorsque le guide-piston est légèrement pressé (de quelques mm). S'il n'est toujours pas possible d'actionner le levier, se référer au chapitre 9 Guide de dépannage.
14. Faire rentrer le levier tout en appuyant légèrement sur le guide-piston.
15. Insérer le piston dans le guide-piston.
16. Monter la bague d'arrêt.
17. Revisser le canon (ou le chargeur) jusqu'en butée sur le guide-piston et le tourner jusqu'à ce qu'il s'enclenche.
18. Par l'orifice derrière la poignée d'armement, lubrifier le mécanisme d'armement des cartouches avec le spray Hilti.
19. Actionner une fois la poignée d'armement.

8.3 Contrôle après des travaux de nettoyage et d'entretien

Après des travaux de nettoyage et d'entretien et avant d'insérer la cartouche, vérifier si tous les équipements de protection sont bien en place et fonctionnent parfaitement.


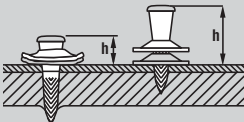

9. Guide de dépannage

AVERTISSEMENT

Avant les travaux d'élimination des défauts, l'appareil doit être déchargé.

Défauts	Causes possibles	Solutions
La cartouche n'est pas transportée.	La bande-chargeur de cartouches est endommagée.	Remplacer la bande-chargeur de cartouches. Voir chapitre : 7.3.1 Retrait des cartouches hors de l'appareil 7
	Appareil endommagé.	Contacteur Hilti.
Impossible de retirer la bande-chargeur de cartouches.	L'appareil est endommagé ou surchauffé en raison d'une cadence de tir excessive.	Laisser l'appareil refroidir et réessayer de retirer prudemment la bande-chargeur de cartouches. Démonter le guide-piston de l'appareil. Si le canon est coincé dans le logement de la cartouche, retirer ce dernier à l'aide du bâton rond se trouvant dans le kit de nettoyage. Si le problème persiste, contacter Hilti.
		REMARQUE Ne jamais essayer de retirer de force des cartouches de leur bande-chargeur ou de l'appareil.
Pas de percussion de la cartouche.	L'appareil n'est pas correctement appuyé.	Appuyer correctement l'appareil et déclencher un nouveau tir.
	La bande-chargeur de cartouches est vide.	Décharger la bande-chargeur de cartouches et en charger une nouvelle.
	Le chargeur ou le canon n'est pas suffisamment serré.	Resserrer le chargeur.
	Une cartouche est défectueuse.	Réarmer et utiliser les cartouches restantes.
	L'appareil est défectueux ou les cartouches sont défectueuses.	Contacteur Hilti.
	L'appareil ne réarme pas.	Réarmer l'appareil.
Enfoncement du clou trop important.	Le tir est à côté de la poutre.	Marquer la position de la poutre et répéter la pose sur la poutre.
	Un trou est présent entre la tôle et le matériau support	Corriger l'exécution du travail de sorte que la tôle repose à fleur sur le matériau support.
	Un piston erroné a été mis en place.	Vérifier que la combinaison matériel piston / élément de fixation est correcte. Pour les éléments de fixation X-ENP, utiliser les pistons X-76-P-ENP-PTR. Pour les éléments de fixation ENP2K, utiliser les pistons X-76-P-ENP2K-PTR.



Défauts	Causes possibles	Solutions
Enfoncement insuffisant du clou. 	Tir à côté de la poutre.	2. Déplacer le point de tir.
	Épaisseur du matériau modifiée.	Augmenter la puissance selon les recommandations pour la cartouche, resp. insérer une cartouche plus puissante. Voir chapitre : ?? ??
	La puissance est trop faible.	Augmenter la puissance selon les recommandations pour la cartouche, resp. insérer une cartouche plus puissante. Voir chapitre : ?? ??
	L'appareil est trop encrassé.	Nettoyer l'appareil.
	Le piston est cassé.	Remplacer le piston et le frein de piston.
	Appareil endommagé.	Contacteur Hilti.
	Un piston erroné a été mis en place.	Vérifier que la combinaison matériel piston / élément de fixation est correcte. Pour les éléments de fixation X-ENP, utiliser les pistons X-76-P-ENP-PTR. Pour les éléments de fixation ENP2K, utiliser les pistons X-76-P-ENP2K-PTR avec marquage vert.
Enfoncement du clou très irrégulier. 	L'appareil a été appuyé brutalement	Éviter tout appui brutal.
	Armement irrégulier, partiellement incomplet.	Réarmement complet
	Puissance irrégulière de l'appareil.	Nettoyer l'appareil. Insérer des pièces de rechange neuves. Si les irrégularités ne sont pas corrigées, contacter Hilti.
Rupture par cisaillement. 	La pointe du piston est usée ou partiellement cassée.	Remplacer le piston et le frein de piston.
	Tir à côté de la poutre.	2. Déplacer le point de tir.
	L'appareil est appuyé trop en biais.	Appuyer l'appareil perpendiculairement au matériau support.
	Épaisseur du matériau accrue.	Vérifier les recommandations en matière d'éléments. Si la compatibilité est vérifiée, augmenter la puissance en respectant les recommandations relatives à la cartouche ou utiliser une cartouche plus puissante.
Absence de détente de l'appareil.	Le piston coince dans le frein de piston.	Remplacer le piston et le frein de piston. Voir chapitre : 7.4.1 Démontage 9 Voir chapitre : 7.4.2 Montage 10

Défauts	Causes possibles	Solutions
Absence de détente de l'appareil.	L'appareil est trop encrassé.	Voir chapitre : 8.2.2 Nettoyage du guide-piston 9 19 20 21 22
	La bande-chargeur de cartouches est coincée, l'appareil surchauffe.	Voir l'erreur « Impossible de retirer la bande-chargeur de cartouches ». Respecter la cadence de tir maximale.
Déclenchement impossible.	L'appareil n'a pas été correctement armé, la poignée d'armement n'est pas dans sa position d'origine.	Armer complètement l'appareil, mettre la poignée d'armement dans sa position d'origine.
	Tentative de déclenchement avant d'avoir correctement appuyé l'appareil.	Appuyer complètement sur l'appareil puis déclencher.
	Défaillances du transport des éléments de fixation	Voir chapitre : 7.2.1 Insertion des bandes d'éléments de fixation dans le chargeur 2 Voir chapitre : 7.3.2 Sortir les bandes-chargeurs d'éléments de fixation de l'appareil de scellement à chargeur 8
	Le chargeur ou le canon n'est pas complètement serré.	Revisser à fond le chargeur et le canon à goujon unique.
Aucun élément de fixation implanté.	Appareil endommagé.	Contactez Hilti.
	L'appareil n'a pas été correctement armé, la poignée d'armement n'est pas dans sa position d'origine.	Armer complètement l'appareil, mettre la poignée d'armement dans sa position d'origine.
	L'élément de fixation n'est pas inséré.	Insérer l'élément de fixation dans l'appareil.
	Mauvais acheminement des clous dans le chargeur.	Contactez Hilti.
	Le piston n'est pas inséré.	Insérer le piston dans l'appareil.
	Le piston est cassé.	Remplacer le piston et le frein de piston.
	Le piston n'est pas revenu dans sa position initiale.	Contactez Hilti.
	Le canon est encrassé.	Nettoyer le canon et la pièce à rapporter à l'aide des brosses prévues. Lubrifier avec le spray Hilti.
	Les éléments de fixation sont coincés dans le canon.	Retirer les éléments de fixation coincés. Retirer les restes de plastique de bandes-chargeurs du chargeur de l'appareil. Éviter les ruptures par cisaillement. (voir ci-avant) Éviter les tirs à côté de la poutre ; le cas échéant, marquer avec plus de précision.

Défauts	Causes possibles	Solutions
Impossible de visser complètement le canon	Le guide-piston qui se trouve derrière le filetage de montage est encrassé.	Nettoyer et lubrifier les filetages.
Impossible de monter le piston.	L'appareil, notamment le guide-piston, est encrassé.	Nettoyer le guide-piston et remonter l'appareil.
	Les chevilles sont visibles dans le guide-piston	Tirer les chevilles vers l'avant jusqu'à ce qu'elles puissent s'encliqueter.
Impossible de monter le guide-piston.	Le levier est en position fermée.	Voir chapitre : 8.2.2 Nettoyage du guide-piston 9 19 20 21 22
	Le guide-piston est mal positionné.	Voir chapitre : 8.2.2 Nettoyage du guide-piston 9 19 20 21 22
Armement difficile.	L'appareil est encrassé.	Nettoyer l'appareil. Voir chapitre : 8.2.2 Nettoyage du guide-piston 9 19 20 21 22
	Le piston et le frein de piston arrivent bientôt à la fin de leur durée de service.	Remplacer le piston et le frein de piston.
	Appareil endommagé.	Contactez Hilti.

10. Recyclage



Les appareils Hilti sont fabriqués pour une grande part en matériaux recyclables dont la réutilisation exige un tri correct. Dans de nombreux pays, Hilti est déjà équipé pour reprendre votre ancien appareil afin d'en recycler les composants. Consulter le service clients Hilti ou votre conseiller commercial. Pour trier soi-même les composants de l'appareil en vue de leur recyclage : se conformer aux directives et règlements régionaux et internationaux.

Séparer les pièces de la manière suivante :

Composant/sous-ensemble	Matière principale	Recyclage
Coffret Hilti	Plastique	Plastique recyclable
Boîtier extérieur	Plastique/Élastomère	Plastique recyclable
Piston	Acier	Vieux métaux
Frein de piston	Acier/Plastique	Vieux métaux
Vis, petites pièces	Acier	Vieux métaux
Cartouches utilisées	Acier/Plastique	Selon les règlements officiels

11. Garantie constructeur des appareils

Hilti garantit l'appareil contre tout vice de matières et de fabrication. Cette garantie s'applique à condition que l'appareil soit utilisé et manipulé, maintenu et entretenu correctement et conformément au mode d'emploi Hilti, et que l'intégrité technique soit préservée, c'est-à-dire sous réserve de l'utilisation exclusive de consommables, accessoires et pièces de rechange d'origine Hilti, ou d'autres produits de valeur et de qualité identique.

Cette garantie se limite strictement à la réparation gratuite ou au remplacement gracieux des pièces défectueuses pendant toute la durée de vie de l'appareil. Elle ne couvre pas les pièces soumises à une usure normale.

Toutes autres revendications sont exclues pour autant que des dispositions légales nationales impé-

ratives ne s'y opposent pas. En particulier, Hilti ne saurait être tenu pour responsable de toutes détériorations, pertes ou dépenses directes, indirectes, accidentelles ou consécutives, en rapport avec l'utilisation ou dues à une incapacité à utiliser l'appareil dans quelque but que ce soit. Hilti exclut en particulier les garanties implicites concernant l'utilisation et l'aptitude dans un but bien précis.

Pour toute réparation ou tout échange, renvoyer l'appareil ou les pièces concernées au réseau de vente Hilti compétent, sans délai, dès constatation du défaut.

La présente garantie couvre toutes les obligations d'Hilti et annule et remplace toutes les déclarations antérieures ou actuelles, de même que tous accords oraux ou écrits concernant des garanties.

fr

12. Déclaration de conformité CE

Désignation :	Appareil de scellement
Désignation du modèle :	DX 76 PTR
Année de fabrication :	2005

Nous déclarons sous notre seule et unique responsabilité que ce produit est conforme aux directives et normes suivantes : 2006/42/CE.

Hilti Corporation



Norbert Wohlwend
Head of Quality & Processes Management
BU Direct Fastening
10 2010



Raimund Zagg
Senior Vice President
BU Direct Fastening
10 2010

13. Certificat d'essais CIP

L'appareil Hilti DX 76 PTR est certifié et homologué. En conséquence, les appareils portent le sigle d'homologation PTB de forme carrée avec le numéro d'homologation S 816. Hilti garantit ainsi la bonne conformité des appareils avec le modèle homolo-

gué. Tous défauts ou vices inadmissibles constatés au cours de l'utilisation de l'appareil doivent absolument être signalés au responsable de l'organisme certificateur (PTB) et au bureau de la Commission Internationale Permanente (C.I.P.).

14. Santé de l'utilisateur et sécurité

14.1 Valeurs de niveaux sonores

Appareil de scellement à cartouches

Type	DX 76 PTR
Modèle	Série
Calibre	6.8/18 bleu

Réglage de puissance	4
Application	Fixation sur de l'acier de 8 mm (400 MPa) à l'aide de X-ENP 19 L15MX

Valeurs de mesure déclarées pour les caractéristiques acoustiques conformément à ISO 4871:1996

Niveau de puissance acoustique, $L_{WA, 1S}$	114 dB (A)
Incertitude de mesure, K_{WA}	2 dB
Niveau de pression acoustique sur le lieu de travail (1000 fixations/jour), L_{pAeq}	94 dB (A)
Incertitude de mesure, K_{pA}	2 dB
Niveau de pression acoustique d'émission, $L_{pC, peak}$	139 dB (C)
Incertitude de mesure, K_{pC}	2 dB

Les caractéristiques acoustiques ont été déterminées selon les instructions de mesure du bruit telles que stipulées par la norme EN 15895-1, sur la base des normes EN ISO 3744:1995 et EN ISO 11204:1995.

REMARQUE : Les émissions acoustiques mesurées et l'incertitude de mesure afférente correspondent à la limite supérieure des valeurs acoustiques pouvant être obtenues lors des mesures.

Les valeurs d'émission de bruit peuvent varier suivant les conditions de travail.

14.2 Vibration

La valeur totale des vibrations devant être indiquée conformément à 2006/42/CE ne dépasse pas 2,5 m/s².

Des informations complémentaires concernant la santé de l'utilisateur et la sécurité sont disponibles sur le site Internet de Hilti www.hilti.com/hse.

نظام تثبيت المسامير DX 76 PTR

في هذا الدليل يقصد دائما بكلمة «الجهاز» نظام تثبيت المسامير DX 76 PTR.

مكونات الجهاز وعناصر الاستعمال 1

نظام تثبيت المسامير DX 76 PTR

- ① خزانة المسامير طراز MX 76-PTR
- ② أصابع كبس
- ③ غطاء حماية فتحة التركيب
- ④ مقبض التعمير
- ⑤ فتحة خزانة الخراطيش
- ⑥ عين مراقبة الشحن
- ⑦ طارة ضبط القدرة
- ⑧ مبين ضبط القدرة
- ⑨ غطاء (مسند تدعيم)
- ⑩ جسم الجهاز
- ⑪ مسند المقبض
- ⑫ زناد
- ⑬ ذراع لفك مجرى الكباس
- ⑭ مجرى الكباس
- ⑮ غطاء حماية خزانة المسامير
- ⑯ مصد (عنصر تثبيت)
- ⑰ فتحات تهوية
- ⑱ مجرى المسامير طراز X-76-F-15-PTR
- ⑲ غطاء حماية الجهاز
- أجزاء متعرضة للتآكل
- ⑳ الكباس طراز X-76-P-ENP-PTR
- ㉑ الكباس طراز X-76-P-ENP2K-PTR
- ㉒ مكبح الكباس طراز X-76-P-PB-PTR

يلزم قراءة دليل الاستعمال باستفاضة قبل التشغيل.

احتفظ بهذا الدليل مع الجهاز دائما.

لا تقم بإعادة الجهاز لأخرين إلا مع إرفاق دليل الاستعمال به.

صفحة	فهرس المحتويات
41	1. إرشادات عامة
42	2. الشرح
44	3. الملحقات التكميلية، مواد الشغل
45	4. المواصفات الفنية
45	5. إرشادات السلامة
47	6. التشغيل
47	7. الاستعمال
50	8. العناية والصيانة
52	9. تقصي الأخطاء
55	10. التكهين
55	11. ضمان الجهة الصانعة للأجهزة
56	12. بيان المطابقة الصادر عن الاتحاد الأوروبي
56	13. شهادة الفحص CIP
56	14. صحة المستخدم والسلامة

1 يشير كل عدد من الأعداد لصور. وتجد الصور الخاصة بالنص على صفحات الغلاف القابلة للفرد. حافظ عليها مفتوحة عند مطالعة الدليل.

1. إرشادات عامة

1.1 كلمات الإشارة ومعناها

خطر

تشير لخطر مباشر يؤدي لإصابات جسدية خطيرة أو إلى الوفاة.

تحذير

تشير لموقف خطر محتمل يمكن أن يؤدي لإصابات جسدية خطيرة أو إلى الوفاة.

احترس

تشير لموقف خطر محتمل يمكن أن يؤدي لإصابات جسدية خفيفة أو أضرار مادية.

ملحوظة

تشير لإرشادات للاستخدام ولمعلومات أخرى مفيدة.

2.1 شرح الرموز التوضيحية وإرشادات أخرى

علامات التحذير



تحذير من سخونة السطح



تحذير من المواد القابلة للانفجار



تحذير من خطر عام



استخدم قفازا
للحماية



استخدم واقيا للسمع



استخدم خوذة
حماية



استخدم واقيا
للعينين

الطراز:

الرقم المسلسل:

الرموز



اقرأ دليل
الاستعمال قبل
الاستخدام

موضع بيانات التمييز موجود على الجهاز
مسمى الطراز والرقم المسلسل تجدهما على لوحة الصنع بجهازك.
انقل هذه البيانات في دليل الاستعمال خاصتك وارجع إليها دائما عند
الاستعلام لدى وكلائنا أو لدى مراكز الخدمة.

2. الشرح

1.2 الاستخدام المطابق للتعليمات

يقوم الجهاز بمساعدة المستخدم المحترف في كيس عناصر التثبيت في الفولاذ، وذلك في الأعمال الإنشائية والهندسية الضخمة والصغيرة.
لا يجوز استعمال الجهاز إلا يدويا.
لا يسمح بإجراء أية تدخلات أو تعديلات على الجهاز.
لا يجوز استخدام الجهاز في أجواء تساعد على الانفجار أو قابلة للاشتعال، إلا إذا كان مصمما له بذلك.
اقتصر على استخدام المنتجات الأصلية من Hilti كعناصر التثبيت والخرابيش والملحقات التكميلية وقطع الغيار أو منتجات لها نفس درجة الجودة، وذلك لتقليل مخاطر الإصابة.
يلزم اتباع المعلومات المتعلقة بالتشغيل والعناية والصيانة الواردة في دليل الاستعمال.
يمكن أن تصدر عن الجهاز ووسائل المساعدة الخاصة به أخطارا إذا تم التعامل معها بشكل غير سليم فنيا من قبل أشخاص غير مدربين أو لم يتم استخدامها بشكل مطابق للتعليمات.
لا يجوز استعمال وصيانة وإصلاح الجهاز إلا على أيدي أشخاص مدربين. هؤلاء الأشخاص يجب أن يكونوا قد تلقوا تدريباً خاصاً على الأخطار الطارئة.
كما هو الحال في جميع أجهزة كيس المسامير المشغلة بالبارود، فإن الجهاز والخزانة والخرابيش وعناصر التثبيت تُشكل وحدة فنية واحدة. وهو ما يعني ضرورة استخدام عناصر التثبيت والخرابيش المصنعة لدى Hilti خصيصاً لهذا الجهاز أو منتجات بنفس درجة جودتها لضمان إجراء عملية التثبيت بدون مشاكل باستخدام هذا النظام. يؤخذ بتوصيات الاستخدام والتثبيت المنصوص عليها من قبل Hilti في حالة مراعاة هذه الاشتراطات فقط.
للحصول على نتيجة مثالية وكذلك لضمان أعلى درجات الاعتمادية، فإننا نوصي باستخدام خرابيش Hilti أو منتجات بنفس درجة جودتها. لجميع دول الاتحاد الأوروبي EU واتحاد التجارة الحرة الأوروبي EFTA يسري الآتي: لغرض الاستخدام الآمن يجب أن تكون الخرابيش المركبة في هذا الجهاز مستوفاة لمتطلبات اختبارات مكتب اللجنة الدولية الدائمة C.I.P المعنوية (المصدر: النسخة الشاملة لقرارات مكتب اللجنة الدولية الدائمة C.I.P. المُعتمدة، مدينة لياج، بلجيكا، 2005)، وكذلك الاختبارات المشروحة على موقع الإنترنت www.hilti.com/cartridgetest.
يوفر الجهاز حماية خماسية. لسلامة مستخدم الجهاز ومحيط العمل من حوله.

2.2 فكرة عمل الكباس المزود بمكبج كباس

يتم نقل الطاقة المتولدة من قوة الدفع إلى الكباس، والذي يقوم بدفع عنصر التثبيت في سطح الشغل من خلال كتلته المتسارعة. ومن خلال التطبيق العملي لفكرة عمل الكباس يمكن تصنيف الجهاز «كأداة منخفضة السرعة». وتوجد 95% تقريبا من طاقة الحركة في الكباس. ونظرا لأن مكبج الكباس يقوم في جميع الأحوال بإيقاف الكباس في نهاية عملية الكبس، فإن الجهاز يحتفظ بالطاقة الزائدة. وبذلك فمن المستبعد عمليا التعرض لجروح خطيرة في حالة الاستخدام الصحيح.

3.2 مانع السقوط

من خلال اقتران آلية التشغيل بشوط الكبس تتحقق وظيفة منع السقوط. ولذا فعندما يصطدم الجهاز بسطح صلد لا يتم التشغيل، مهما كانت زاوية اصطدام الجهاز.

4.2 وسيلة تأمين الزناد

تضمن وسيلة تأمين الزناد عدم بدء عملية الكبس عند الضغط على الزناد بمفرده. وعلاوة على ذلك لا تبدأ عملية الكبس إلا عندما يكون الجهاز مضغوطا تماما على سطح ثابت.

5.2 وسيلة تأمين ضغط الجهاز

يتطلب التغلب على وسيلة تأمين ضغط الجهاز قوة ضغط مقدارها 50 نيوتن على الأقل، بحيث لا يمكن إجراء عملية الكبس إلا عن طريق ضغط الجهاز بشكل كامل.

6.2 وسيلة تأمين الإطلاق

يحتوي الجهاز بالإضافة إلى ذلك على وسيلة لتأمين الإطلاق. وهذا يعني أن عملية الإطلاق لن تحدث عند الضغط على الزناد ثم الضغط على الجهاز بعد ذلك. بل إن عملية الإطلاق ستتم فقط عند ضغط الجهاز أولا بطريقة صحيحة ثم يعقب ذلك الضغط على الزناد.

7.2 نظام تثبيت المسامير DX 76 PTR، الاستخدامات وبرنامج عناصر التثبيت

تثبيت ألواح الصاج المضلع على الفولاذ، سمك الفولاذ 6 مم وفي الفولاذ الخالص

برنامج	مسمى الطلب	ملاحظة
عناصر التثبيت	طراز X-ENP-19 L15 MX	10 مسامير بكل شريط خزانة
خزانة مسامير	طراز MX 76-PTR	
طقم كباسات	طراز X-76-P-ENP-PTR	

برنامج	مسمى الطلب	ملاحظة
عناصر التثبيت	طراز X-ENP-19 L15	مسمار فردي
موجّه المسامير الفردية	طراز X-76-F-15-PTR	

تثبيت ألواح الصاج المضلع على الفولاذ، سمك الفولاذ 3-6 مم

برنامج	مسمى الطلب	ملاحظة
عناصر التثبيت	طراز X-ENP2K-20 L15 MX	10 مسامير بكل شريط خزانة
خزانة مسامير	طراز MX 76-PTR	
طقم كباسات	طراز X-76-P-ENP2K-PTR	

برنامج	مسمى الطلب	ملاحظة
عناصر التثبيت	طراز ENP2K-20 L15	مسمار فردي
موجّه المسامير الفردية	طراز X-76-F-15-PTR	

تثبيت خابور الوصل

برنامج	مسمى الطلب	ملاحظة
عناصر التثبيت	X-ENP-21 HVB	قطعتان لكل خابور وصل
خابور الوصل	X-HVB 50/ 80/ 95/ 110/ 125/ 140	
موجّه المسامير	X-76-F-HVB-PTR	
كباس	X-76-P-HVB-PTR	

تثبيت ألواح الصاج المضلع على الخرسانة (DX-Kwik)

برنامج	مسمى الطلب	ملاحظة
عناصر التثبيت	NPH2-42 L15	

ملاحظة	مسمى الطلب	برنامج
	X-76-F-Kwik-PTR	موجّه المسامير
	X-76-P-Kwik-PTR	كباس
ريشة ثقب بمصد للثقب الأولي	TX-C 5/23	ريشة ثقب بمصد

عناصر تثبيت (بقطر 8 مم) لأعمال تثبيت الشبكات المعدنية

ملاحظة	مسمى الطلب	برنامج
لتركيب العناصر X-FCM-M و X-FCP-F و X-FCM-R و X-FCP-R	X-EM8H/ X-CR M8	عناصر التثبيت
نظام تثبيت الشبكات المعدنية	X-GR/ X-GR-RU	عناصر التثبيت
	X-76-F-8-GR-PTR	موجّه المسامير
	X-76-P-8-GR-PTR	كباس

عناصر للتثبيت على الأسطح الفولاذية والخرسانية

ملاحظة	مسمى الطلب	برنامج
مسامير للأشغال العامة المعنوية بتثبيت الأحمال الثقيلة في الخرسانة والفولاذ	DS 27-37	عناصر التثبيت
مسامير لتثبيت الفولاذ	EDS 19-22	عناصر التثبيت
مسمار 10 مم على أسطح فولاذ	X-EM10H	عناصر التثبيت
	X-76-F-10-PTR	موجّه المسامير
	X-76-P-10-PTR	كباس

3. الملحقات التكميلية، مواد الشغل

طراز DX 76 PTR KFD، كبيرة، مزودة بجيب قابل للغلق لحفظ الخراطيش	حقيبة Hilti
طراز DX 76 PTR	حقيبة جهاز الكبس باستخدام الخزانة
طراز DX 76 / 860-ENP، فرشاة مسطحة، فرشاة مستديرة قطر 25، فرشاة مستديرة قطر 8، مدق، فوطة تنظيف شفافة / ملونة	طقم التنظيف
	نظارة واقية
	نظارة أمان
صغير	واقي السمع
	إسبراي Hilti
طراز X-76-P-ENP-PTR وطراز X-76-P-ENP2K-PTR	طقم الكباسات والمكبج الكباسي
	غطاء حماية لكل من الخزانة ومجاري المسامير الفردية
	مقياس فحص DX 76 PTR
	كباس إضافي
	طقم إصلاح المزلاج
	طراز الخرطوشة
مسمى الطلب	
M 18/6.8 سوداء	قوة دفع فائقة

طراز الخرطوشة	مسمى الطلب
قوة دفع كبيرة جدا	M 18/6.8 حمراء
قوة دفع كبيرة	M 18/6.8 زرقاء
قوة دفع منخفضة	M 18/6.8 خضراء

4. المواصفات الفنية

نحتفظ بحق إجراء تعديلات تقنية!

ملحوظة

*التشغيل بدون اختلالات.

الجهاز	طراز DX 76 PTR
الوزن شاملا الخزانة	4.37 كجم
الأبعاد (طول x عرض x ارتفاع)	464 مم x 104 مم x 352 مم
سعة الخزانة	10 عناصر
شوط الكيس	32 مم
قوة الكيس	130...90 نيوتن
درجة حرارة الاستعمال / درجة الحرارة المحيطة	-15...+50 °م
الحد الأقصى لمتوسط تردد الكيس*	600/ساعة

5. إرشادات السلامة

1.5 ملاحظات أساسية للسلامة

يجب مراعاة التعليمات التالية في جميع الأوقات بكل صرامة إلى جانب إرشادات السلامة التقنية الواردة في كل موضوع من موضوعات دليل الاستعمال هذا.

1.1.5 سلامة الأشخاص

(أ) كن يقظا وانتبه لما تفعل وتعامل مع جهاز الكيس المباشر بتعقل عند العمل به. ولا تستخدم الجهاز عندما تكون مرهقا أو واقعا تحت تأثير العقاقير المخدرة أو الكحول أو الأدوية. لأن عدم الانتباه للحظة واحدة عند استخدام الجهاز قد يؤدي لإصابات خطيرة.

(ب) تجنب اتخاذ وضع غير سليم للجسم. واحرص على أن تكون واقفا بأمان وحافظ على توازنك في جميع الأوقات.

(ت) لا تقم بتوجيه الجهاز إليك أو إلى شخص آخر.

(ث) لا تضغط الجهاز في اتجاه يدك أو أي جزء من أجزاء الجسم الأخرى (أو أي شخص آخر).

(ج) احرص عند قيامك بتنفيذ الأعمال على إبعاد الأشخاص الآخرين، وخاصة الأطفال، عن نطاق العمل.

(ح) عند استخدام الجهاز احتفظ بذراعك في وضع مثني (غير مفرد).

2.1.5 الاستخدام والتعامل بعناية مع أجهزة الكيس المباشر

(أ) استخدم الجهاز المناسب. لا تستخدم الجهاز في أغراض غير مخصص لها، بل استخدمه فقط بشكل مطابق للتعليمات وفي حالة سليمة.

(ب) اضبط الجهاز بزوايا قائمة بالنسبة لسطح الشغل.

(ت) لا تترك الجهاز أبدا دون مراقبة وهو معبأ.

(ث) قم دائما بتفريغ الجهاز قبل إجراء أعمال التنظيف والخدمة والعناية، وعند توقف العمل مؤقتا وكذلك عند التخزين (الخرطوشة وعناصر التثبيت).

(ج) يجب تفريغ الأجهزة غير المستخدمة وحفظها في مكان جاف ومرتفع أو مغلق، بعيدا عن متناول الأطفال.

(ح) افحص الجهاز والملحقات التكميلية من حيث احتمال وجود أضرار. قبل مواصلة الاستخدام يجب فحص تجهيزات الحماية

أو الأجزاء المتعرضة للضرر الطفيف بعناية من حيث أداؤها لوظيفتها بشكل سليم ومطابق للتعليمات. تأكد أن الأجزاء

المتحركة تعمل بشكل سليم وأنها ليست منحصرة أو متعرضة للضرر. يجب أن تكون جميع الأجزاء مركبة بشكل صحيح

ومستوفاة لجميع الاشتراطات، وذلك لضمان تشغيل الجهاز بلا مشاكل. يلزم استبدال كل من تجهيزات الحماية والأجزاء

4.1.5 إجراءات السلامة الميكانيكية



- (أ) اختر التشكيلات الصحيحة من عناصر التثبيت والمناسبة لموجهات المسامير. فاستخدام تشكيلة غير مناسبة يمكن أن يؤدي لوقوع إصابات وتعرض الجهاز للضرر و/أو التأثير على جودة التثبيت.
- (ب) لا تستخدم سوى عناصر تثبيت مصرح بها ومخصصة للجهاز.
- (ت) لا تقم بتعبئة عناصر التثبيت في الخزائن، إذا كانت غير مركبة في الجهاز بشكل صحيح. فقد تطاير عناصر التثبيت للخارج.
- (ث) لا تستخدم مكبح كباسي متآكل ولا تقم بإجراء أية تدخلات على الكباس.

5.1.5 إجراءات السلامة الحرارية



- (أ) إذا تعرض الجهاز للسخونة المفرطة، فاتركه يبرد. لا تتجاوز الحد الأقصى لتردد الكبس.
- (ب) يتعين عليك ارتداء قفاز واقى عندما يستوجب الأمر قيامك بأعمال الصيانة دون ترك الجهاز ليبرد.
- (ت) يجب دائما ترك الجهاز يبرد إذا وصل الأمر لانتصهار شريط الخراطيش البلاستيكي.

6.1.5 خطر التعرض للانفجار



- (أ) لا تستخدم سوى الخراطيش المصرح بها للجهاز.
- (ب) اخلع شريط الخراطيش من الجهاز بحرص.
- (ت) لا تحاول استخدام القوة في نزع الخراطيش من شريط الخزائنة أو من الجهاز.
- (ث) يجب حفظ الخراطيش غير المستخدمة في مكان جاف ومرتفع أو مغلق بعيدا، عن متناول الأطفال.

7.1.5 تجهيزات الحماية الشخصية



يجب على المستخدم والأشخاص المتواجدين على مقربة منه ارتداء نظارة واقية ملائمة وخوذة حماية وواق للسمع أثناء استخدام الجهاز وعند معالجة المشاكل التي تطرأ عليه. يتعين على المستخدم ارتداء قفاز واق بالإضافة إلى ذلك.

- المتعرضة للضرر أو إصلاحها بشكل سليم فنيا لدى خدمة Hilti، ما لم تتم الإشارة إلى غير ذلك في دليل الاستعمال.
- (خ) لا تضغط على الزناد إلا والجهاز في وضع رأسي بالنسبة لسطح الشغل.
- (د) أمسك الجهاز دائما جيدا بزاوية قائمة بالنسبة لسطح الشغل عند قيامك بإجراء عملية الكبس. ومن خلال ذلك يتم تجنب انحراف عنصر التثبيت عن خامة سطح الشغل.
- (ذ) لا تكبس أبدا عنصر التثبيت مرة أخرى، فقد يؤدي ذلك إلى انكساره وانحصاره.
- (ر) لا تكبس أية عناصر تثبيت في ثقب موجودة، ما لم تكن شركة Hilti قد أوصت بذلك.
- (ز) احرص دائما على مراعاة إرشادات الاستعمال.
- (س) ارتد أقتعة حماية، إذا سمحت ظروف العمل بذلك.
- (ش) لا تقم بسحب الخزائنة ومجرى المسامير للخلف يدويا، فمن خلال ذلك قد يصبح الجهاز في بعض الأحوال جاهزا للاستخدام. ويتيح وضع الاستعداد الوظيفي قيام الجهاز بعملية الكبس حتى في أجزاء الجسم.

3.1.5 مكان العمل



- (أ) اعمل على توفير إضاءة جيدة لنطاق العمل.
- (ب) لا تقم بتشغيل الجهاز إلا في أماكن جيدة التهوية.
- (ت) لا تقم بتكيب أية عناصر تثبيت في خامة سطح شغل لا تتناسب معها. المواد شديدة الصلابة، مثل الفولاذ الملحوم والفولاذ المصبوب. المواد شديدة النعومة، مثل الخشب والملاط الجصي. المواد سريعة الكسر، مثل الزجاج والبلاط. قد يؤدي الكبس في هذه المواد إلى كسر العناصر أو تفتتها أو اختراقها.
- (ث) لا تستخدم أية مسامير مع الزجاج، الرخام، البلاستيك، البرونز، النحاس الأصفر، النحاس، الصخور، المواد العازلة، الطوب المفرغ، الطوب الخزفي، الصاج الرقيق (> 2,7 م)، الحديد الزهر، الخرسانة المفرغة.
- (ج) تأكد قبل كبس عناصر التثبيت من عدم وقوف أحد الأشخاص خلف أو أسفل مكان العمل.
- (ح) حافظ على نطاق عملك في أفضل حال. حافظ على محيط العمل خاليا من الأشياء التي يمكن أن تعرضك للإصابة. فالقوى في أماكن العمل يمكن أن تؤدي إلى وقوع حوادث.
- (خ) حافظ على المقابض جافة ونظيفة وخالية من الزيت والشحم.
- (د) ارتد حذاء أمانا مضادا للانزلاق.
- (ذ) احرص على مراعاة المؤثرات المحيطة. لا تجعل الجهاز يتعرض للأمطار ولا تستخدمه في بيئة رطبة أو مبلتة. لا تستخدم الجهاز في مكان معرض لخطر الحريق أو الانفجار.

1.6 فحص الجهاز

تأكد من عدم وجود شريط خراطيش بالجهاز. وفي حالة وجود شريط خراطيش في الجهاز، ادفعه من خلال التعمير عدة مرات باستخدام مقبض التعمير، وذلك إلى أن تتمكن من الإمساك به من جانب خروج الخرطوشة، عندئذ اخلع شريط الخرطوشة بجذبه للخارج. افحص جميع الأجزاء الخارجية للجهاز من حيث وجود أضرار وجميع عناصر الاستعمال من حيث أداؤها لوظيفتها بشكل سليم. لا تقم بتشغيل الجهاز عندما تكون هناك أجزاء متضررة أو إذا كانت بعض عناصر الاستعمال لا تعمل بشكل سليم. قم بإصلاح الجهاز لدى خدمة Hilti المعتمدة. افحص الكياس والمكبج الكباسي من حيث التركيب الصحيح والتعرض للتآكل.



ملحوظة

اقرأ دليل الاستعمال قبل التشغيل.

ar

7. الاستعمال

احترس

لا تكبس أية عناصر تثبيت في ثقوب موجودة، ما لم تكن شركة Hilti قد أوصت بذلك.

احترس

إذا تعرض الجهاز للسخونة المفرطة، فاتركه يبرد. لا تتجاوز الحد الأقصى لتردد الكبس.



1.7 التشغيل

إرشادات التثبيت. احرص دائما على مراعاة إرشادات الاستعمال.

ملحوظة

للحصول على معلومات تفصيلية برجاء طلب المواصفات الفنية من وكيل Hilti التابع لك أو لوائح التعليمات الفنية المحلية إذا تعذر ذلك.

2.7 كيفية التصرف في حالة تعثر إطلاق الخرطوشة

في حالة حدوث تعثر في الإطلاق أو إذا لم تنطلق الخرطوشة، تصرف دائما على النحو التالي:

احتفظ بالجهاز مضغوطا على سطح الشغل لمدة 30 ثانية.

إذا لم تنطلق الخرطوشة رغم ذلك، فقم بإبعاد الجهاز عن سطح الشغل واحرص أثناء ذلك على عدم توجيه الجهاز إليك أو إلى أي شخص آخر.

قم بمواصلة تحريك شريط الخراطيش بمقدار خرطوشة واحدة من خلال التعمير، استخدم الخراطيش المتبقية بشريط الخراطيش، اخلع شريط الخراطيش المستهلك وتخلص منه بحيث تتأكد من عدم استخدامه مرة أخرى أو تعرضه لسوء الاستخدام.

1.2.7 تركيب شريط عناصر التثبيت في الخزانة 2

قم بإدخال شريط عناصر التثبيت من أعلى في الخزانة، إلى أن تستقر حلقة آخر عنصر تثبيت في الخزانة بثبات.

ملحوظة

في حالة استخدام يدك الأخرى في القبض على الجهاز، فإنه يتعين عليك وضعها على الجهاز بشكل لا يسد فتحات التهوية أو أية فتحات أخرى.

تحذير

قد تنتشر الخامة أو تتطاير خامات شريط الخزانة أثناء عملية الكبس. استخدم (المستخدم والأشخاص الموجودين بالنطاق المحيط) نظارة واقية وحوذة حماية. الشظايا يمكن أن تصيب الجسم والعينين.

احترس

يتم كبس عناصر التثبيت من خلال انطلاق قوة دفع. ارتد (المستخدم والأشخاص الموجودين بالنطاق المحيط) واقيا للسمع. الضجيج العالي للغاية يمكن أن يضر بقدرك على السمع.

تحذير

عن طريق ضغط الجهاز على أي جزء من أجزاء الجسم (اليد مثلا) فإنه يصبح، بالمخالفة للتعليمات، جاهزا للاستخدام. يتيح وضع الاستعداد الوظيفي قيام الجهاز بعملية الكبس حتى في أجزاء الجسم (خطر الإصابة من خلال المسمار أو الكباس). لا تضغط الجهاز مطلقا على أجزاء الجسم.

احترس

لا تكبس أبدا عنصر التثبيت مرة أخرى، فقد يؤدي ذلك إلى انكساره وانحصاره.

2.3.7 إخراج شريط عناصر التثبيت من جهاز تثبيت المسامير العامل بالخرانة 8

تحذير

تأكد من عدم وجود شريط خراطيش بالجهاز. في حالة وجود شريط خراطيش في الجهاز، استخدم مقبض التعمير بالجهاز إلى أن تظهر الخرطوشة، وبعد ذلك اسحبه بيدك من منفذ خروج الخراطيش.

احترس

يدفع شريط عناصر التثبيت إلى الخارج بفعل قوة الزنبرك.

1. اضغط شريط عناصر التثبيت في الخزانة بمقدار 5 مم وثبته جيدا على هذا الوضع.
2. اضغط المصد الأحمر إلى الأمام مستخدما إبهامك وثبته جيدا على هذا الوضع.
3. أخرج شريط عناصر التثبيت من الخزانة.

4.7 تغيير خزانة المسامير أو موجّه المسامير (ملحقات تكميلية)

1.4.7 الفك 9

تحذير

لا يجوز تواجد أية خراطيش بالجهاز. يحظر وجود أية عناصر تثبيت في خزانة المسامير أو في موجّه المسامير.

احترس

يمكن أن تكون الأجزاء التركيبية المستخدمة شديدة السخونة بعد استخدامها. يلزم ارتداء قفاز واق عندما يتعين القيام بخطوات الصيانة التالية دون ترك الجهاز ليبرد.

1. تأكد أن مقبض التعمير في الوضع الأساسي.
2. قم بفك موجّه المسامير (أو خزانة المسامير).
3. اخلع الكباس من مجرى الكباس ومكبج الكباس من خزانة المسامير.

2.4.7 التركيب 10

1. قم بتركيب مكبج الكباس بشكل صحيح في موجّه المسامير المراد تركيبه (أو خزانة المسامير). استثناء: قاعدة الارتكاز HVB، هنا يجب تركيب مصد الكباس بشكل صحيح (الجزء المطاطي للأمام).
2. تأكد أن مقبض التعمير في الوضع الأساسي.
3. أدخل الكباس الصحيح في المجرى المخصص له بالجهاز.
4. اربط موجّه المسامير (أو خزانة المسامير) بمجرى الكباس حتى النهاية وأدره في الاتجاه العكسي إلى أن يثبت.
5. قم بالتعمير مرة واحدة باستخدام مقبض التعمير.

5.7 الكيس باستخدام موجّه المسامير الفردية (ملحق تكميلي)

تحذير

تأكد من تركيب غطاء الحماية بالجهاز

2.2.7 اختيار الخراطيش 3

1. قم بتحديد درجة صلابة الفولاذ وسماك خامة سطح الشغل.
 2. اختر الخرطوشة المناسبة وكذلك وضع ضبط القدرة طبقاً للتوصيات الخاصة بالخرطوشة.
- ملحوظة** بخصوص الحصول على معلومات مفصلة بشأن اختيار الخرطوشة ارجع إلى التراخيص المعنية أو إلى كتيب التثبيت المباشر من Hilti

3.2.7 تركيب شريط الخراطيش 4

قم بإدخال شريط الخراطيش بالكامل في فتحة خزانة الخراطيش الجانبية.

4.2.7 الكيس باستخدام نظام تثبيت المسامير المزود بخزانة 5

1. اضغط الجهاز بزواوية قائمة على سطح الشغل.
2. قم بإجراء عملية الكيس عن طريق جذب الزناد.
3. كتمهيد لإجراء عملية الكيس التالية يجب عليك تحريك مقبض التعمير إلى الخلف ثم إلى الأمام مرة أخرى.

5.2.7 فحص وضبط بروز المسامير 3 6

ملحوظة

اضبط قدرة الجهاز من خلال إدارة طارة ضبط القدرة. (الدرجة 1 = الحد الأدنى؛ الدرجة 4 = الحد الأقصى)

1. افحص بروز المسامير باستخدام مقياس الفحص.
2. عندما تكون قوة اختراق عنصر التثبيت ضعيفة للغاية، فإنه يتعين عليك زيادة القدرة. اضبط القدرة على درجة أعلى من خلال طارة ضبط القدرة. عندما تكون قوة اختراق عنصر التثبيت كبيرة للغاية، عندئذ يجب التأكد من تصويب اتجاه الكيس على سطح الشغل بالضبط أو إذا كانت هناك فراغات. قم بتصحيح وضع التركيب بحيث يستقر الصاج على سطح الشغل في مستوى واحد دون وجود أية فراغات أو مع وجود فراغات ضئيلة فقط.
3. اكيس عنصر تثبيت.
4. افحص بروز المسامير باستخدام مقياس الفحص.
5. إذا ظلت قوة اختراق عنصر التثبيت ضعيفة للغاية أو كبيرة للغاية، يجب عليك تكرار الخطوات 2 حتى 4 إلى أن يصل الكيس إلى العمق الصحيح. استخدم عند اللزوم خرطوشة أقوى أو أضعف.

3.7 تفريغ الجهاز

1.3.7 إخراج الخراطيش من الجهاز 7

تحذير

لا تحاول استخدام القوة في نزع الخراطيش من شريط الخراطيش أو من الجهاز.

1. قم بتحريك شريط الخراطيش من خلال التعمير عدة مرات باستخدام مقبض التعمير، إلى أن يظهر من منفذ خروج الخراطيش.
2. اسحب شريط الخراطيش من منفذ خروج الخراطيش.

1.5.7 تركيب عنصر التثبيت في نظام تثبيت المسامير الفردي 11

1. قم بتدوير الجهاز بحيث يكون مجرى المسامير موجهًا إلى أعلى.
2. أدخل عنصر التثبيت، من أعلى في الجهاز.

2.5.7 اختيار الخراطيش 3

1. قم بتحديد درجة صلابة الفولاذ وسمك خامة سطح الشغل.
2. اختر الخرطوشة المناسبة وكذلك وضع ضبط القدرة طبقًا للتوصيات الخاصة بالخرطوشة.

ملحوظة بخصوص الحصول على معلومات مفصلة بشأن اختيار الخرطوشة ارجع إلى التراخيص المعنية أو إلى كتيب التثبيت المباشر من Hilti

3.5.7 تركيب شريط الخراطيش 4

قم بإدخال شريط الخراطيش بالكامل في فتحة خزانة الخراطيش الجانبية.

4.5.7 الكبس باستخدام نظام تثبيت المسامير الفردي

1. اضغط الجهاز بزاوية قائمة على سطح الشغل.
2. قم بإجراء عملية الكبس عن طريق جذب الزناد.
3. كتمهيد لإجراء عملية الكبس التالية يجب عليك تحريك مقبض التعمير إلى الخلف ثم إلى الأمام مرة أخرى.

5.5.7 فحص وضبط بروز المسامير 3 6

ملحوظة

اضبط قدرة الجهاز من خلال إدارة طارة ضبط القدرة. (الدرجة 1 = الحد الأدنى؛ الدرجة 4 = الحد الأقصى)

افحص بروز المسامير ووضع الضبط الخاص به طبقًا لما ورد في موضوع 7.2.5 «فحص وضبط بروز المسامير».

6.7 تثبيت خابور الوصل (ملحق تكميلي) 9 12

تحذير

تأكد من تركيب غطاء الحماية بالجهاز

1.6.7 تركيب العنصر في موجه المسامير HVB

ملحوظة

كبس العنصر الأول في خابور الوصل

ملحوظة

يرجى الانتباه إلى أن موجه المسامير HVB يشتمل على مصد للكباس (X-76-PS) وليس على مكبح كباس (X-76-PB-PTR).

ملحوظة

وبذلك لا تتمتع قاعدة الارتكاز HVB بإمكانية منع الاختراق (وظيفة PTR)

1. قم بتركيب موجه المسامير HVB كما ورد في موضوع 7.4 «تركيب/تغيير خزانة المسامير أو موجه المسامير (ملحقات تكميلية)».
2. حرك الذراع الانزلاقي إلى أن يثبت ويظهر الرقم 1.

3. قم بتدوير الجهاز بحيث يكون موجه المسامير موجهًا إليها أعلى.
4. أدخل العنصر في الجهاز من أعلى في الفتحة المميزة.

2.6.7 تركيب شريط الخراطيش

ملحوظة

تعتبر الخراطيش السوداء - وفي بعض الأحيان أيضا الحمراء - هي الاختيار الأمثل لتركيب خابور الوصل HVB. بخصوص الحصول على معلومات مفصلة بشأن اختيار الخرطوشة ارجع إلى التراخيص المعنية أو إلى كتيب التثبيت المباشر من Hilti

قم بإدخال شريط الخراطيش بالكامل في فتحة خزانة الخراطيش الجانبية.

3.6.7 الكبس باستخدام موجه المسامير HVB 13

1. اكبس خابور الوصل على قاعدة الارتكاز. وسيتم احتجازها من خلال المغناطيس.
2. اضغط الجهاز بزاوية قائمة على سطح الشغل.
3. قم بإجراء عملية الكبس عن طريق جذب الزناد.
4. كتمهيد لإجراء عملية الكبس التالية يجب عليك تحريك مقبض التعمير إلى الخلف ثم إلى الأمام مرة أخرى.

4.6.7 فحص وضبط بروز المسامير 3 6

ملحوظة

اضبط قدرة الجهاز من خلال إدارة طارة ضبط القدرة. (الدرجة 1 = الحد الأدنى؛ الدرجة 4 = الحد الأقصى)

افحص بروز المسامير ووضع الضبط الخاص به طبقًا لما ورد في موضوع 7.2.5 «فحص وضبط بروز المسامير».

5.6.7 تركيب العنصر الثاني في موجه المسامير HVB 14

ملحوظة

كبس العنصر الثاني في خابور الوصل

1. حرك الذراع الانزلاقي إلى أن يثبت ويظهر الرقم 2.
2. قم بتدوير الجهاز بحيث يكون موجه المسامير موجهًا إليها أعلى.
3. أدخل العنصر في الجهاز من أعلى في الفتحة المميزة.

6.6.7 كبس موجه المسامير HVB 15

1. أدخل قاعدة الارتكاز في خابور الوصل واضغط الجهاز بزاوية قائمة على سطح الشغل.
2. قم بإجراء عملية الكبس عن طريق جذب الزناد.
3. كتمهيد لإجراء عملية الكبس التالية يجب عليك تحريك مقبض التعمير إلى الخلف ثم إلى الأمام مرة أخرى.

7.7 تثبيت الشبكات المعدنية (ملحق تكميلي) 9 16

تحذير

تأكد من تركيب غطاء الحماية بالجهاز

9.7 تثبيت ألواح الصاج المضلع على الخرسانة (ملحق تكميلي DX Kwik)

تحذير

تأكد من تركيب غطاء الحماية بالجهاز

1.9.7 تركيب موجّه المسامير DX Kwik 9 17

1. قم بتركيب موجّه المسامير DX Kwik كما ورد في موضوع 7.4 «تركيب/تغيير خزانة المسامير أو موجّه المسامير (ملحقات تكميلية)».
2. قم بتدوير الجهاز بحيث يكون موجّه المسامير موجهًا إلى أعلى.
3. أدخل عنصر التثبيت، من أعلى في الجهاز.

2.9.7 تركيب شريط الخراطيش

ملحوظة

تعتبر الخراطيش الزرقاء هي الاختيار الأمثل لتثبيت ألواح الصاج المضلع على الخرسانة. بخصوص الحصول على معلومات مفصلة بشأن اختيار الخرطوشة ارجع إلى التراخيص المعنية أو إلى كتّيب التثبيت المباشر من Hilti.

قم بإدخال شريط الخراطيش بالكامل في فتحة خزانة الخراطيش الجانبية.

3.9.7 الكبس باستخدام موجّه المسامير DX Kwik 18

1. استخدم ريشة الثقب ذات المصد لعمق ثقب في لوح الصاج المضلع وكذلك في الأسطح الخرسانية.
2. أدخل المسامير البارز من موجّه المسامير في الثقب المخصص له واضغط الجهاز عليه بزواوية قائمة.
3. قم بإجراء عملية الكبس عن طريق جذب الزناد.
4. كتمهيد لإجراء عملية الكبس التالية يجب عليك تحريك مقبض التعمير إلى الخلف ثم إلى الأمام مرة أخرى.

4.9.7 فحص وضبط بروز المسامير 3 6

ملحوظة

اضبط قدرة الجهاز من خلال إدارة طارة ضبط القدرة. (الدرجة 1 = الحد الأدنى؛ الدرجة 4 = الحد الأقصى)

افحص بروز المسامير ووضعه الضبط الخاص به طبقًا لما ورد في موضوع 7.2.5 «فحص وضبط بروز المسامير».

1.7.7 تركيب العنصر في موجّه المسامير (F8) الخاص بالشبكات المعدنية

1. قم بتركيب موجّه المسامير الخاص بالشبكات المعدنية كما ورد في موضوع 7.4 «تركيب/تغيير خزانة المسامير أو موجّه المسامير (ملحقات تكميلية)».
2. قم بتدوير الجهاز بحيث يكون موجّه المسامير موجهًا إلى أعلى.
3. أدخل عنصر التثبيت، من أعلى في الجهاز.

2.7.7 تركيب شريط الخراطيش 4

قم بإدخال شريط الخراطيش بالكامل في فتحة خزانة الخراطيش الجانبية.

3.7.7 التثبيت باستخدام موجّه المسامير الخاص بالشبكات المعدنية

1. اضغط الجهاز بزواوية قائمة على سطح الشغل.
2. قم بإجراء عملية الكبس عن طريق جذب الزناد.
3. إذا تسنى لك ذلك، تأكد من عمق الإدخال من خلال مراجعة مدى بروز المسامير.
4. في حالة استخدام فلانثشة، اربط فلانثشة التثبيت (عزم الربط من 5 إلى 8 نيوتن متر).
5. كتمهيد لإجراء عملية الكبس التالية يجب عليك تحريك مقبض التعمير إلى الخلف ثم إلى الأمام مرة أخرى.

4.7.7 فحص وضبط بروز المسامير 3 6

ملحوظة

اضبط قدرة الجهاز من خلال إدارة طارة ضبط القدرة. (الدرجة 1 = الحد الأدنى؛ الدرجة 4 = الحد الأقصى)

افحص بروز المسامير ووضعه الضبط الخاص به طبقًا لما ورد في موضوع 7.2.5 «فحص وضبط بروز المسامير».

8.7 التثبيت باستخدام موجّه المسامير F10

تحذير

تأكد من تركيب غطاء الحماية بالجهاز

عند التثبيت باستخدام موجّه المسامير F10 احرص على اتباع نفس الطريقة التي يتم بها تثبيت الشبكات المعدنية (موضوع 7.7).

8. العناية والصيانة

يوميًا على الأقل في حالة الاستعمال المتكرر، أو على أقصى تقدير بعد 3000 عملية كبس.

تحذير

لا يجوز تواجد أية خراطيش بالجهاز. يحظر وجود أية عناصر تثبيت في خزانة المسامير أو في موجّه المسامير.



احترس

قد تتعرض الأجزاء الوظيفية للتآكل أثناء التشغيل العادي وذلك نظرًا لطبيعة عمل الجهاز. تعتبر أعمال الفحص والصيانة الدورية شرط أساسي لتشغيل الجهاز بشكل يعتمد عليه وبصورة آمنة. ننصح بتنظيف الجهاز وفحص الكباس والمكبج الكباسي

من الممكن أن يسخن الجهاز نتيجة الاستخدام. يمكن أن تتعرض يدك للإصابة بحروق. استخدم قفازا واقيا لإجراء أعمال العناية والصيانة. اترك الجهاز يبرد.

1.8 العناية بالجهاز

نظف الجهاز من الخارج بصفة دورية باستخدام فوطة تنظيف مبللة بعض الشيء.

ملحوظة

لا تستخدم بخاخة أو جهاز عامل بالبخار في عملية التنظيف. لا تقم أبدا بتشغيل الجهاز بينما فتحات التهوية مسدودة. عمل على منع توغل أجسام غريبة إلى داخل الجهاز.

2.8 الإصلاح

افحص بصفة دورية جميع الأجزاء الخارجية للجهاز من حيث وجود أضرار وجميع عناصر الاستعمال من حيث أداؤها لوظيفتها بشكل سليم. لا تقم بتشغيل الجهاز عندما تكون هناك أجزاء متضررة أو إذا كانت بعض عناصر الاستعمال لا تعمل بشكل سليم. قم بإصلاح الجهاز لدى خدمة Hilti.

احرص على تشغيل الجهاز باستخدام الخراطيش الموصى بها وبوضع ضبط القدرة الموصى به. فالاختيار الخاطي للخراطيش أو وضع ضبط الطاقة المرتفع للغاية قد يؤدي إلى تعطل أجزاء الجهاز قبل الأوان.

احترس

الانساخات في أجهزة DX تحتوي على مواد يمكن أن تشكل خطرا على صحتك. لا تستنشق أتربة / انساخات ناتجة عن عملية التنظيف. أبعد المواد الغدائية عن الأتربة / الانساخات. اغسل يديك بعد تنظيف الجهاز. لا تستخدم أبدا الشحم من أجل صيانة / تزييق مكونات الجهاز. فقد يؤدي ذلك إلى حدوث اختلالات وظيفية بالجهاز. لا تستخدم سوى اسبراي Hilti أو منتجات لها نفس درجة الجودة

1.2.8 فحص الكباس، تغيير الكباس / مكبح الكباس

تحذير

لا يجوز تواجد أية خراطيش بالجهاز. يحظر وجود أية عناصر تثبيت في خزانة المسامير أو في موجّه المسامير.

احترس

يمكن أن تكون الأجزاء التركيبية المستخدمة شديدة السخونة بعد استخدامها. يلزم ارتداء قفاز واق عندما يتعين القيام بخطوات الصيانة التالية دون ترك الجهاز ليبرد.

ملحوظة

كثرة الأخطاء أثناء عمليات الكبس تؤدي إلى تآكل الكباس ومكبح الكباس. إذا ظهرت تشققات بالكباس و/أو تعرضت الأجزاء المطاطية بمكبح الكباس للتآكل الشديد، فعندئذ تكون هذه الأجزاء قد وصلت لنهاية عمرها الافتراضي.

ملحوظة

ينبغي إجراء عملية فحص الكباس ومكبح الكباس على فترات منتظمة، يوميا على الأقل.

ملحوظة

لاستبدال الكباس ومكبح الكباس، لا يجب عليك سوى فك خزانة المسامير أو موجّه المسامير. ليست هناك حاجة إلى فك مجرى الكباس.

1. قم بفك موجّه المسامير (أو خزانة المسامير).
2. اسحب الكباس من مجرى الكباس.
3. افحص الكباس من حيث وجود ضرر به. في حالة وجود علامات تدل على التعرض للضرر بشكل واضح، فإنه يتعين عليك استبدال الكباس ومكبح الكباس. افحص مكبح الكباس من حيث وجود آثار للتآكل بالأجزاء المطاطية
4. **ملحوظة** افحص الكباس من حيث تعرضه للتقوس وذلك بتدويره على سطح أملس. لا تستخدم كباس متعرض للتآكل ولا تقم بإجراء أية تعديلات على الكباس.
5. **ملحوظة** إذا أمكن تدوير الحلقة العلوية من الكباس بسهولة عكس الحلقة السفلية فهذا يعني أن مكبح الكباس فارغ ويجب تغييره.
4. إذا اقتضى الأمر تغيير الكباس، اخلع مكبح الكباس من موجّه المسامير.
5. قم بتثبيت مكبح الكباس الجديد بشكل سليم في موجّه المسامير المراد تركيبه (أو خزانة المسامير).
6. **ملحوظة** احرص على رش فتحة مكبح الكباس باستخدام إسبراي Hilti.
7. **ملحوظة** يشتمل موجّه المسامير HVB على مصد للكباس بدلا من مكبح الكباس.
6. أدخل الكباس في مجرى الكباس بالجهاز.
7. اربط موجّه المسامير (أو خزانة المسامير) بمجرى الكباس حتى النهاية وأدره في الاتجاه العكسي إلى أن يثبت.
8. قم بالتعمير مرة واحدة باستخدام مقبض التعمير.

2.2.8 تنظيف مجرى الكباس 9 19 20 21 22

تحذير

لا يجوز تواجد أية خراطيش بالجهاز. يحظر وجود أية عناصر تثبيت في خزانة المسامير أو في موجّه المسامير.

احترس

يمكن أن تكون الأجزاء التركيبية المستخدمة شديدة السخونة بعد استخدامها. يلزم ارتداء قفاز واق عندما يتعين القيام بخطوات الصيانة التالية دون ترك الجهاز ليبرد.

1. تأكد أن مقبض التعمير في الوضع الأساسي.
2. قم بفك موجّه المسامير (أو خزانة المسامير).
3. اخلع الكباس من مجرى الكباس ومكبح الكباس من خزانة المسامير (أو موجّه المسامير).
4. **احترس:** يجب أن تمسك الجهاز بحيث يكون مجرى الكباس إلى أعلى، وإلا فمن الممكن أن يسقط مجرى الكباس. حرك الفراع إلى الخارج لفك مجرى الكباس.
5. أخرج مجرى الكباس من الجهاز.
6. **ملحوظة** ليست هناك حاجة إلى فك أجزاء مجرى الكباس. قم بتنظيف موضع تثبيت مجرى الكباس بالجهاز.

7. قم بتنظيف سطح مجرى الكباس من الداخل والخارج باستخدام الفرشاة الكبيرة.
8. قم بتنظيف تجويف أصعب الضبط باستخدام الفرشاة المستديرة الصغيرة و قم بتنظيف محمل الخراطيش باستخدام الفرشاة المخروطية.
9. قم برش طرف ووحدة مجرى الكباس باستخدام إسبراي Hilti.
10. قم برش الأجزاء الفولاذية بالجهاز باستخدام إسبراي Hilti.
11. ملحوظة يمكن أن يؤدي استخدام مادة تزيق أخرى غير إسبراي Hilti إلى تعرض الأجزاء المطاطية للضرر. تأكد أن مقبض التعمير في الوضع الأساسي.
12. قم بإدخال مجرى الكباس في الجهاز.
13. اضغط مجرى الكباس برفق.
- ملحوظة لا ينغلق الذراع إلا عند ضغط مجرى الكباس بعض الشيء (بضع ملليمترات). إذا لم ينغلق الذراع بالرغم من ذلك، يرجى مراعاة ما ورد في موضوع 9 تفصي الأخطاء.
14. قم بتحريك الذراع للداخل بينما مجرى الكباس مضغوط بعض الشيء.
15. أدخل الكباس في مجرى الكباس.
16. قم بتركيب مكبح الكباس.
17. اربط موجه المسامير (أو خزانة المسامير) بمجرى الكباس حتى النهاية وأدره في الاتجاه العكسي إلى أن يثبت.
18. قم بالرش خلف مقبض التعمير في الشق الموجود بجسم الجهاز لتزليق وحدة نقل الخراطيش.
19. قم بالتعمير مرة واحدة باستخدام مقبض التعمير.

3.8 الفحص بعد إجراء أعمال العناية والصيانة



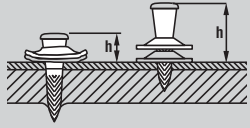

بعد إجراء أعمال العناية والصيانة وقبل إدخال الخرطوشة يجب فحص ما إذا كانت جميع تجهيزات الحماية مركبة وتؤدي وظيفتها بشكل سليم.

9. تفصي الأخطاء

تحذير

قبل التغلب على المشاكل يلزم تفريغ الجهاز.

الخطأ	السبب المحتمل	التغلب عليه
لا يتم نقل الخرطوشة.	شريط الخراطيش به ضرر.	قم بتغيير شريط الخراطيش. انظر موضوع: 1.3.7 إخراج الخراطيش من الجهاز 7
لا يمكن نزع شريط الخراطيش.	الجهاز به ضرر أو متعرض لسخونة مفرطة نتيجة التردد الزائد للكبس.	اتصل بشركة Hilti. دع الجهاز يبرد وبعد ذلك قم مجددا بمحاولة نزع شريط الخراطيش بحرص. قم بفك مجرى الكباس. في حالة انحصار جلية الخرطوشة في مخزن الخراطيش، انزعها بواسطة القضيب الأسطواني الموجود ضمن طقم التنظيف. إذا استمرت المشكلة، اتصل بشركة Hilti.
الخرطوشة لا تنطلق.	الجهاز غير مضغوط بشكل كامل.	ملحوظة لا تحاول استخدام القوة في نزع الخراطيش من شريط الخزانة أو من الجهاز. اضغط الجهاز مجددا ثم قم بإجراء عملية كبس أخرى.
	شريط الخراطيش فارغ.	قم بإخراج شريط الخراطيش وضع واحدا جديدا.
	الخزانة أو مجرى الكباس غير مربوطين بشكل كاف.	أحكم ربط الخزانة.
	الخرطوشة الفردية رديئة.	قم بالتعمير واستهلاك الخراطيش المتبقية.
	الجهاز معطل أو الخراطيش رديئة.	اتصل بشركة Hilti.
	لم يتم تعميم الجهاز	قم بتعمير الجهاز

الخطأ	السبب المحتمل	التغلب عليه
بروز المسمار منخفض للغاية.	تم الكيس بجانب كمره.	قم بتحديد موضع الكمره ثم كرر عملية الكيس على الكمره.
	يوجد حيز فراغ بين الصاج و سطح الشغل	قم بتصحيح وضع سطح الشغل بحيث يستقر الصاج على سطح الشغل في مستوى واحد.
	الكباس المركب غير مناسب.	تأكد من اختيار التشكيلة الصحيحة لتجهيزه الكباس / عنصر التثبيت. استخدم الكباس طراز X-76-P-ENP-PTR لعنصر التثبيت X-ENP. استخدم الكباس طراز X-76-P-ENP2K-PTR لعنصر التثبيت ENP2K.
بروز المسمار كبير للغاية.	تم الكيس في كمره.	اكيس في موضع آخر.
	سمك سطح الشغل متغير.	قم بزيادة القدرة تبعا للتوصيات الخاصة بالخرطوشة أو اكيس الخرطوشة بطاقة أعلى.
	القدرة منخفضة للغاية.	انظر موضوع: ?? ??
		قم بزيادة القدرة تبعا للتوصيات الخاصة بالخرطوشة أو اكيس الخرطوشة بطاقة أعلى.
		انظر موضوع: ?? ??
	الجهاز متسخ بشكل كبير.	قم بتنظيف الجهاز.
	الكباس مكسور.	قم بتغيير الكباس والمكبج الكباسي.
	الجهاز به ضرر.	اتصل بشركة Hilti.
	الكباس المركب غير مناسب.	تأكد من اختيار التشكيلة الصحيحة لتجهيزه الكباس / عنصر التثبيت. استخدم الكباس طراز X-76-P-ENP-PTR لعنصر التثبيت X-ENP. استخدم الكباس طراز X-76-P-ENP2K-PTR ذي العلامة الخضراء لعنصر التثبيت ENP2K.
بروز المسمار متغير بشدة.	تم ضغط الجهاز بقوة	تجنب الضغط بقوة.
	التعمير يتم بشكل غير متساو أو غير كامل بعض الشيء.	قم بالتعمير بشكل كامل
	قدرة الجهاز غير منتظمة.	قم بتنظيف الجهاز. قم باستبدال الأجزاء المتضررة للتأكد بأخرى جديدة. في حالة استمرار ظهور تقلبات في قدرة الجهاز، اتصل بشركة Hilti.
كسور مائلة.	سن الكباس متآكل أو هناك جزء منه مكسور.	استبدل الكباس والمكبج الكباسي.
	تم الكيس في كمره.	اكيس في موضع آخر بالقرب منها.
	الجهاز مضغوط بشكل مائل للغاية	اضغط الجهاز بزاوية قائمة بالنسبة لسطح الشغل
	سمك سطح الشغل كبير.	قم بمراجعة التوصيات الخاصة بعناصر التثبيت. إذا تمت عملية التشغيل بترتيب صحيح للخطوات، فقم بزيادة القدرة تبعا للتوصيات الخاصة بالخرطوشة أو اكيس الخرطوشة بطاقة أعلى.

الخطأ	السبب المحتمل	التغلب عليه
الجهاز نفسه لا يتحرك.	الكباس منحصر في المكبح الكباسي.	قم بتغيير الكباس والمكبح الكباسي. انظر موضوع: 1.4.7 الفك 9 انظر موضوع: 2.4.7 التركيب 10
	الجهاز متسخ بشكل كبير.	انظر موضوع: 2.2.8 تنظيف مجرى الكباس 9 19 20 21 22
	شريط الخراطيش منحصر، الجهاز متعرض للسخونة المفرطة.	انظر الخطأ «لا يمكن نزع شريط الخراطيش». التزم بالحد الأقصى لتردد الكبس.
الجهاز لا يقوم بالإطلاق.	لم يتم تعميم الجهاز بشكل صحيح، مقبض التعمير ليس في الوضع الأصلي.	قم بتعمير الجهاز بشكل كامل، واضبط مقبض التعمير على الوضع الأصلي.
	الإطلاق يحدث قبل الضغط الكامل.	اضغط الجهاز بشكل كامل ثم قم بعملية الإطلاق.
	اختلالات في عملية نقل عناصر التثبيت	انظر موضوع: 1.2.7 تركيب شريط عناصر التثبيت في الخزانة 2 انظر موضوع: 2.3.7 إخراج شريط عناصر التثبيت من جهاز تثبيت المسامير العامل بالخزانة 8
	الخزانة أو مجرى المسامير غير مربوطين بالكامل.	قم بربط الخزانة ومجرى المسامير الفردية بالكامل.
	الجهاز به ضرر.	اتصل بشركة Hilti.
لا يتم كبس أي عنصر تثبيت.	لم يتم تعميم الجهاز بشكل صحيح، مقبض التعمير ليس في الوضع الأصلي.	قم بتعمير الجهاز بشكل كامل، واضبط مقبض التعمير على الوضع الأصلي.
	عصر التثبيت غير مركب.	قم بتركيب عنصر التثبيت في الجهاز.
	وحدة نقل المسامير بالجهاز معطلة.	اتصل بشركة Hilti.
	الكباس غير مركب.	قم بتركيب الكباس في الجهاز.
	الكباس مكسور.	قم بتغيير الكباس والمكبح الكباسي.
	الكباس لا يعود إلى وضعه الأصلي.	اتصل بشركة Hilti.
	مجرى المسامير متسخ.	قم بتنظيف مجرى المسامير والأجزاء التركيبية باستخدام الفرش المخصصة لهذا الغرض. قم بالتنظيف باستخدام إسبراي Hilti.
	عناصر التثبيت منحصرة في مجرى المسامير.	انزع عناصر التثبيت المنحصرة. انزع بقايا شريط الخزانة البلاستيكي من خزانة الجهاز. تجنب حدوث كسور مائلة. (انظر أعلاه) تجنب القيام بعملية الكبس بجانب الكمرات، وفي حالة وجود كمرات يفضل القيام بتحديد مواضعها.
لا يمكن ربط مجرى المسامير تماما.	هناك اتساخ بمجرى الكباس خلف قلاووظ التوصيل.	قم بتنظيف مجرى الكباس وتزيت القلاووظ.
لا يمكن تركيب الكباس.	الجهاز متسخ وخصوصا مجرى الكباس.	قم بتنظيف مجرى الكباس ثم أعد تجميع الجهاز.
	ظهور خوابير في مجرى المسامير	اجذب الخوابير للأمام إلى أن تستقر بثبات.
لا يمكن تركيب مجرى الكباس.	الذراع مغلق.	انظر موضوع: 2.2.8 تنظيف مجرى الكباس 9 19 20 21 22
	مجرى الكباس موضوع بشكل خاطئ.	انظر موضوع: 2.2.8 تنظيف مجرى الكباس 9 19 20 21 22

الخطأ	السبب المحتمل	التغلب عليه
صعوبة التعمير.	الجهاز متسخ.	قم بتنظيف الجهاز. انظر موضوع: 2.2.8 تنظيف مجرى الكباس 9 19 20 21 22
	العمر الافتراضي لكل من الكباس والمكبج الكباسي أو شك على الانتهاء	استبدل الكباس والمكبج الكباسي.
	الجهاز به ضرر.	اتصل بشركة Hilti.

10. التكمين



أجهزة Hilti مصنوعة بنسبة كبيرة من مواد قابلة لإعادة التدوير. يشترط لإعادة التدوير أن يتم فصل الخامات بشكل سليم فنياً. مراكز Hilti في كثير من الدول مستعدة بالفعل لاستعادة جهازك القديم على سبيل الانتفاع به. توجه بأسئلتك لخدمة عملاء Hilti أو مستشار المبيعات. إذا أردت إجراء فصل لخامات الجهاز بنفسك: اتبع التعليمات والمواصفات الدولية والإقليمية.

افصل كل جزء من الأجزاء كما يلي:

جزء تركيبى / مجموعة تركيبية	مادة الشغل الأساسية	الانتفاع
حقيبة Hilti	لدائن	إعادة تدوير اللدائن
الجسم الخارجي	لدائن/مطاط	إعادة تدوير اللدائن
كباس	فولاذ	معادن متهاك
مكبج كباسي	فولاذ/لدائن	معادن متهاك
مسامير، أجزاء صغيرة	فولاذ	معادن متهاك
الخرطيش المستعملة	فولاذ/لدائن	طبقاً للتعليمات العامة

11. ضمان الجهة الصانعة للأجهزة

أية مطالبات أخرى مستبعدة، طالما لا توجد لوائح محلية ملزمة تتعارض مع ذلك. وبصفة خاصة لا تضمن Hilti العيوب أو الأضرار الناتجة عن العيوب أو الخسارة أو التكاليف المباشرة أو غير المباشرة المتعلقة باستخدام أو عدم إمكانية استخدام الجهاز في أي غرض. الضمانات غير الصريحة الممنوحة للاستخدام أو الصلاحية لغرض معين مستبعدة تماماً.

بعد إثبات العيب يجب على الفور إرسال الجهاز أو الأجزاء المعنية إلى مركز تسويق Hilti المختص لإصلاحها أو استبدالها.

يشتمل الضمان الحالي على جميع التزامات الكفالة من جانب Hilti ويحل محل جميع التفصيلات والشروط السابقة أو الحالية والاتفاقات المكتوبة أو الشفوية بخصوص الضمان.

تضمن Hilti أن الجهاز المورد خالي من عيوب الخامات والتصنيع. يشترط لسريان هذا الضمان صحة استخدام الجهاز وتشغيله والعناية به وتنظيفه بما يتوافق مع دليل الاستعمال الصادر عن Hilti، وأن يتم المحافظة على الوحدة الفنية، أي الاقتصار على استخدام الخامات والملحقات التكميلية وقطع الغيار الأصلية من Hilti أو منتجات أخرى بنفس درجة الجودة مع الجهاز.

يشتمل هذا الضمان على الإصلاح المجاني أو استبدال الأجزاء التالفة مجاناً، وذلك طوال العمر الافتراضي للجهاز. ولا يشمل هذا الضمان الأجزاء المتعرضة للتآكل الطبيعي.

12. بيان المطابقة الصادر عن الاتحاد الأوروبي



Raimund Zaggl
Senior Vice President
BU Direct Fastening
2010 10

شركة Hilti المساهمة



Norbert Wohlwend
Head of Quality & Processes
Management
BU Direct Fastening
2010 10

نظام تثبيت المسامير

DX 76 PTR

2005

المسمى:

مسمى الطراز:

سنة الصنع:

نقر على مسؤوليتنا الفردية بأن هذا المنتج متوافق مع المواصفات والمعايير التالية: 2006/42/EC.

13. شهادة الفحص CIP

هيئة مربع مع رقم التصريح المسجل S 816. وبذلك تضمن شركة Hilti مطابقتها للتصميم المصرح به. العيوب غير المسموح بها التي تظهر عند الاستخدام يجب الإبلاغ عنها لدى رئيس هيئة التراخيص (PTB) وكذلك مكتب اللجنة الدولية الدائمة (C.I.P.).

نظام تثبيت المسامير DX 76 PTR من Hilti مصرح به من ناحية التصميم وقد تم اختبار نظامه. وبموجب ذلك فإن الجهاز حائز على علامة التراخيص من المعهد الاتحادي للتقنية والفيزياء على

14. صحة المستخدم والسلامة

1.14 معلومات الضجيج

جهاز كيس المسامير العامل بالخرابيش

طراز DX 76 PTR	المسلسل
6.8/18 زرقاء	4
التثبيت على فولاذ 8 مم (400 ميجا باسكال) مع خراطيش X-ENP 19 L15MX	

قيم القياس المعلنة لأرقام تمييز مستوى الصوت طبقاً للمواصفة ISO 4871:1996

114 ديسيبل (A)	مستوى شدة الصوت، L WA, 1S
2 ديسيبل	نسبة تفاوت القياس، K WA
94 ديسيبل (A)	مستوى ضغط الصوت بمكان العمل (1000 Bef./يوم)، L pAeq
2 ديسيبل	نسبة تفاوت القياس، K pA
139 ديسيبل (C)	مستوى ضغط الصوت المنبعث، L pC, peak
2 ديسيبل	نسبة تفاوت القياس، K pC

تم تحديد أرقام تمييز مستوى الصوت طبقاً لتعليمات قياس مستوى الصوت في المواصفة EN 15895-1، على أساس المواصفتين EN ISO 11204:1995 و ISO 3744:1995. ملاحظة: انبعاثات الضجيج المقاسة ونسبة التفاوت الخاصة بها تمثل الحد الأعلى لأرقام تمييز مستوى الصوت المتوقعة أثناء عمليات القياس. ظروف العمل المختلفة قد تؤدي إلى قيم انبعاث أخرى.

يمكن الحصول على مزيد من المعلومات بخصوص صحة المستخدم والسلامة من موقع Hilti على الإنترنت www.hilti.com/hse

2.14 الاهتزاز

قيمة الاهتزاز الإجمالية المعطاة طبقاً للمواصفة 2006/42/EC لا تتجاوز 2,5 م/ثانية².

オリジナル取扱説明書

DX 76 PTR 安全鋸打機

ご使用前にこの取扱説明書を必ずお読みください。

この取扱説明書は必ず本体と一緒に保管してください。

他の人が使用する場合には、本体と取扱説明書を一緒にお渡しください。

目次	頁
1. 一般的な注意	57
2. 製品の説明	58
3. アクセサリー、消耗品	61
4. 製品仕様	61
5. 安全上の注意	62
6. ご使用前に	64
7. ご使用方法	64
8. 手入れと保守	69
9. 故障かな？と思った時	71
10. 廃棄	75
11. 本体に関するメーカー保証	75
12. EU 規格の準拠証明	76
13. CIP 検査合格	76
14. 使用者の健康と安全	76

■ この数字は該当図を示しています。図は二つ折りの表紙の中にあります。取扱説明書を

お読みの際は、これらのページを開いてください。

この取扱説明書で「本体」と呼ばれる工具は、常に DX 76 PTR 安全鋸打機を指しています。

各部名称 ■

安全鋸打機 DX 76 PTR

- ① ファスナーマガジン MX 76-PTR
- ② コンタクトピン
- ③ 保護キャップ
- ④ サイクリンググリップ
- ⑤ 空包ストリップガイドウェイ
- ⑥ 装填チェックウインドウ
- ⑦ 威力調整つまみ
- ⑧ 威力調整目盛り
- ⑨ 保護クッションエンドキャップ
- ⑩ ボディ
- ⑪ グリップパッド
- ⑫ トリガー
- ⑬ ピストンガイドリリースレバー
- ⑭ ピストンガイド
- ⑮ ファスナーマガジン破片ガード
- ⑯ ファスナーストップパー
- ⑰ 通気溝
- ⑱ ファスナーガイド X-76-F-15-PTR
- ⑲ 破片ガード

摩耗部品

- ⑳ ピストン X-76-P-ENP-PTR
- ㉑ ピストン X-76-P-ENP2K-PTR
- ㉒ ピストンブレーキ X-76-P-PB-PTR

1. 一般的な注意

1.1 安全に関する表示とその意味

危険

この表記は、重傷あるいは死亡事故につながる危険性がある場合に注意を促すために使われます。

警告事項

この表記は、重傷あるいは死亡事故につながる可能性がある場合に注意を促すために使われます。

ja

注意

この表記は、軽傷あるいは所持物の損傷が発生する可能性がある場合に使われます。

注意事項

この表記は、本製品を効率良く取り扱うための注意事項や役に立つ情報を示す場合に使われます。

1.2 記号の説明と注意事項

警告表示



一般警告
事項



爆発物に
関する警告
事項



高温に関す
る警告事項

義務表示



保護メガネ
を着用して
ください



保護ヘル
メットを着
用してくだ
さい



耳栓を着
用してくだ
さい



保護手袋を
着用してく
ださい

略号



ご使用前に
取扱説明書
をお読みく
ださい

機種名・製造番号の表示箇所

機種名および製造番号は本体に貼られた銘板に表示されています。当データを御自身の取扱説明書にメモ書きしておき、お問い合わせなどの必要な場合に引用してください。

機種名：

製造番号：

2. 製品の説明

2.1 正しい使用

本体はプロ仕様で製作されており、建設・土木業や設備業者において、鋼材へのファスナーの打鉋に使用されます。

本体は常にしっかりと保持してください。

本体の加工や改造はしないでください。

爆発や発火の危険のある場所では、特に使用が許可されている場合を除き、決して鉋打機を使用しないでください。

怪我を防止するため、必ずヒルティ純正のファスナー、空包、付属品、消耗品あるいは同等の品質を持つ製品を使用してください。

取扱説明書に記述されている使用、手入れ、保守に関する事項に留意してご使用ください。

本体および付属品の、使用法を知らない者による誤使用、あるいは規定外使用は危険です。

本体の使用、保守、修理を行うのは、訓練を受けた人のみに限ります。これらの人は、遭遇し得る危険に関する情報を入手していなければなりません。

他のすべての火薬式安全鉋打機同様に、本体、マガジン、空包およびファスナーは技術的に一体化されたユニットを構成しています。つまり、本体専用ヒルティが製造したファスナーおよび空砲、あるいはこれと同等品質の製品を使用した場合にのみ、本システムを使用する正しいファスニングが確実なものとなります。この条件を守ることを前提として、当社はファスニングに最適な鉋打機として当本体をお勧めいたします。

最良の作業結果と最高度の信頼性のために、ヒルティ製の空砲あるいは同等品質の製品を使用されることをお勧めします。

EU および EFTA 諸国に対して：本体内で安全に使用するために、空砲は当該の C.I.P 試験の要求事項（出典：Comprehensive edition of adopted C.I.P. decisions, Liège, Belgium, 2005）を満たして、さらに「www.hilti.com/cartridgetest」において公開されている試験に合格している必要があります。

本体の使用者およびその周囲の安全のために、本体には 5 重の安全対策が採られています。

2.2 ピストン原理とピストンブレーキ

空包により生じたエネルギーはピストンに送られます。このエネルギーによりピストンは加速力を得てネイル（鋅）を母材に打ち込みます。このようなピストン原理を応用しているため、本体は「低速ツール」に分類されます。運動エネルギーの約 95 % はピストン内部で吸収されます。本体内のピストン停止位置がちょうど打鋅動作の終了点となるので、余剰エネルギーは本体内に留まります。したがって正しくご使用して頂ければ、貫通の危険性はありません。

ja

2.3 落下暴発防止装置

点火装置と接触圧ストロークの組合せにより、本体を落としても暴発することがないように、落下暴発防止装置を装備しています。本体が固い地面に落下して跳ね返っても点火することはありませんし、どのような角度で当たっても点火の心配はありません。

2.4 トリガー安全装置

トリガーを引いただけでは打鋅動作が開始されないように、トリガー安全装置を装備しています。本体の先端部が固い対象物に完全に押し付けられている場合にのみ、打鋅動作が可能となります。

2.5 接触圧安全装置

接触圧安全装置が装備されており、打鋅動作を開始するには、本体を 50 N 以上の力で確実に押し付ける必要があります。

2.6 突発的暴発防止装置

本体には、突発的暴発防止装置が装備されています。即ち、トリガーを引いてから、本体を押し付けたのでは動作しない構造となっています。要するに、最初に本体を確実に押し付けてからトリガーを引いたのではありません。

2.7 安全鋅打機 DX 76 PTR、用途とファスナープログラム

鋼材（厚さ 6 mm ~ ブロック）へのデッキプレートのファスニング

プログラム	品名	備考
ファスナー	X-ENP-19 L15 MX	マガジストリップあたり 10 個のネイル
ファスナーマガジン	MX 76-PTR	
ピストンセット	X-76-P-ENP-PTR	

プログラム	品名	備考
ファスナー	X-ENP-19 L15	シングルファスナー
シングルファスナーガイド	X-76-F-15-PTR	

鋼材 (厚さ 3 - 6 mm) へのデッキプレートのファスニング

プログラム	品名	備考
ファスナー	X-ENP2K-20 L15 MX	マガジンストリップあたり 10 個のネイル
ファスナーマガジン	MX 76-PTR	
ピストンセット	X-76-P-ENP2K-PTR	

プログラム	品名	備考
ファスナー	ENP2K-20 L15	シングルファスナー
シングルファスナーガイド	X-76-F-15-PTR	

シアコネクターのファスニング

プログラム	品名	備考
ファスナー	X-ENP-21 HVB	シアコネクターにつき 2 個
シアコネクター	X-HVB 50/ 80/ 95/ 110/ 125/ 140	
ファスナーガイド	X-76-F-HVB-PTR	
ピストン	X-76-P-HVB-PTR	

コンクリートへのデッキプレートのファスニング (DX-Kwik)

プログラム	品名	備考
ファスナー	NPH2-42 L15	
ファスナーガイド	X-76-F-Kwik-PTR	
ピストン	X-76-P-Kwik-PTR	
ステップドリルビット	TX-C 5/23	予備穿孔用ステップドリル

グリッドファスニング用ファスナー (直径 8 mm)

プログラム	品名	備考
ファスナー	X-EM8H/ X-CR M8	X-FCM-M、X-FCM-R、X-FCP-F、X-FCP-R の取り付け用
ファスナー	X-GR/ X-GR-RU	グリッドファスニングシステム
ファスナーガイド	X-76-F-8-GR-PTR	
ピストン	X-76-P-8-GR-PTR	

鋼材およびコンクリートへのファスニング用ファスナー

プログラム	品名	備考
ファスナー	DS 27-37	コンクリートおよび鋼材に一般的な重量物を留め付けるためのネイル
ファスナー	EDS 19-22	鋼材を留め付けるためのネイル

ja

プログラム	品名	備考
ファスナー	X-EM10H	鋼材に使用する 10 mm スタッド
ファスナーガイド	X-76-F-10-PTR	
ピストン	X-76-P-10-PTR	

3. アクセサリー、消耗品

本体ケース	DX 76 PTR KFD、大型、ロック可能なカートリッジボックス付き
マガジンケース	DX 76 PTR
清掃キット	DX 76 / 860-ENP、平ブラシ、丸ブラシφ25、丸ブラシφ8、プッシャー、ウエス
保護メガネ	透明 / 色付き
安全眼鏡	
耳栓	小
ヒルティスプレー	
ピストンとピストンブレイキのセット	X-76-P-ENP-PTR および X-76-P-ENP2K-PTR
マガジンおよび単発用ファスナーガイドの保護キャップ	
チェックゲージ DX 76 PTR	
補助ピストン	
スライダー修理セット	

空包タイプ	品名
極強	6.8/18 M 黒
高強	6.8/18 M 赤
強	6.8/18 M 青
弱	6.8/18 M 緑

4. 製品仕様

技術データは予告なく変更されることがあります。

注意事項

* 正常な作動の場合

本体	DX 76 PTR
重量 (マガジンを含む)	4.37 kg
本体寸法 (長 × 幅 × 高)	464 mm × 104 mm × 352 mm
マガジン収納	10 個のファスナー
接触圧ストローク	32 mm
接触圧	90... 130 N

ja

本体	DX 76 PTR
作業温度 / 周囲温度	-15... +50°C
最大平均打鋸数 *	600/h

5. 安全上の注意

5.1 基本的な安全注意事項

この取扱説明書の各項に記された安全注意事項の外に、常に下記事項を守らなければなりません。

5.1.1 作業者に関する安全

- a) DX ファスニング装置を使用の際には、油断せずに十分注意し、常識をもった作業をおこなってください。疲れている場合、薬物、医薬品服用およびアルコール飲用による影響下にある場合には本体を使用しないでください。本体使用中の一瞬の不注意が重傷の原因となることがあります。
- b) 不安定な姿勢はとらないでください。足元を確かにし、常にバランスを保ちながら作業してください。
- c) 本体の先端部を、決して自分や周囲の人に向けしないでください。
- d) 鋸打機の先端部を絶対に手や身体他の部分（あるいは他の人）に押し付けしないでください。
- e) 作業中は、作業関係者以外、特に子供が近づかないようにしてください。
- f) 本体を使用する際、腕は軽く曲げた状態にしてください（決して腕をピンと伸ばして突っ張らないようにしてください）。

5.1.2 DX ファスニング装置の慎重な取扱いおよび使用

- a) 用途に合った工具をご使用ください。本体を本来の目的以外には使用しないでください。必ず、指示にしたがい、不具合のない状態で使用してください。
- b) 本体は作業面に対して垂直に押し付けてください。
- c) 空包やネイルを装填してある本体は、決して放置しないようにしてください。
- d) 清掃や修理、点検をする時、休憩に入る時、あるいは保管する時には、必ず事前に空包およびネイルを取り出してご

- e) 未使用時には、本体から空包とネイルを取り出し、本体を乾いた高い場所に施錠し、子供の手の届かない場所に保管してください。
- f) 本体とアクセサリーに不具合がないか点検してください。本体を続けて使用する前に、安全装置および損傷している箇所が少しでもある場合は、作業に影響を及ぼすことなく規定どおりの機能を発揮できることを確認する必要があります。可動部分がスムーズに回転し、動きに硬さがないか、あるいはパーツに不具合がないか点検してください。使用するパーツがしっかりと固定されて、本体が支障なく作動するための条件が整っているか確認してください。安全装置やパーツに不具合があり、取扱説明書に解決方法が明記されていない場合は、弊社営業担当またはヒルティ代理店・販売店に適切な修理 / 交換を依頼してください。
- g) 必ず本体を母材に完全に垂直に押し付けてからトリガーを操作してください。
- h) 打鋸する際には、母材に対して本体を常に直角に保つようにしてください。それによりネイルが母材からそれで打鋸されるのを防止できます。
- i) 打ち込まれたファスナーに再度打鋸し直すと、ファスナーが折れたり、噛むことがありますので止めてください。
- j) 一度使用した穴に打鋸しないでください。ただし、ヒルティにより指定されている場合を除きます。
- k) 常にファスニングガイドラインを守ってください。
- l) 可能な限り、破片ガードを使用してください。
- m) マガジン、ファスナーガイドを手で引き戻さないでください。場合によっては本体が打鋸可能状態になることがあります。打鋸可能状態になると、身体部分に鋸が打ち込まれる恐れがあります。

5.1.3 作業場の安全確保



- a) 作業場の採光に十分配慮してください。
- b) 本体を使用する場合は必ず作業場の通気を良くしてください。
- c) 打鉄にふさわしくない母材には、決して打鉄しないでください。溶接した鋼材や鋳物などの固すぎる母材。木材や石膏などの柔らかすぎる母材。ガラスやタイルなどの割れやすい母材。これらの母材に打鉄すると、ファスナーが折れたり、欠けたり、貫通する恐れがあります。
- d) ガラス、大理石、プラスチック、青銅、真鍮、銅、自然石、断熱材、中空ブロック、化粧タイル、薄い鋼板 (< 2.7 mm)、鋳物、ALC には決してネイルを打鉄しないでください。
- e) ファスナーを打鉄する前に、作業面の裏側や下方に誰もいないことを確認してください。
- f) 作業場の整理整頓に心がけてください。事故の原因となり得る危険物は作業区域から取り除いておいてください。作業場が整理整頓されていないと、事故を引き起こすことがあります。
- g) グリップ表面は乾燥させ、清潔に保ち、オイルやグリスで汚さないようにしてください。
- h) 滑り止めのついた履き物を着用してください。
- i) 周囲状況を考慮してください。本体を雨、雪にさらさないでください。また本体が湿った状態あるいは濡れた状態で使用しないでください。火災や爆発の恐れがあるような状況では、本体を使用しないでください。

5.1.4 機械的な危険性に対する安全対策



- a) 正しいファスナーガイド / ファスナーの組み合わせを選択してください。組み合わせを間違えますと、ファスニング品質に影響

- が及ぶだけでなく、怪我を負ったり、本体が重大な損傷を受けることがあります。
- b) 本体用として認可されたヒルティ純正のファスナーのみを使用してください。
 - c) マガジンが本体に正しく装着されていない時は、ネイルを装填しないでください。ネイルが跳ね返って飛び出すことがあります。
 - d) 摩耗したピストンブレーキは使用しないでください。また、ピストンを加工しないでください。

5.1.5 熱の危険性に対する安全対策



- a) 本体が過度に熱くなった場合には、冷ましてください。最大打鉄数を超えないようにしてください。
- b) 本体がまだ冷めていないうちに作業を行う必要がある場合は、必ず保護手袋を着用してください。
- c) プラスチックの空包ストリップが溶け始めた場合は、本体を冷ましてください。

5.1.6 爆発の危険性



- a) 本体用として許可されたヒルティ純正の空包のみを使用してください。
- b) 空包ストリップは本体から慎重に取り外してください。
- c) 空包をマガジンストリップあるいは本体から無理矢理外さないでください。
- d) 使用しない空包は乾いた高い場所に施錠し、子供の手の届かない場所に保管してください。

5.1.7 個人保護用具



本体使用中や故障修理中、作業員および現場で直近に居合わせる人々は保護メガネ、保護ヘルメット、耳栓を着用しなければなりません。作業員はさらに保護手袋を着用しなければなりません。

6. ご使用前に



注意事項

ご使用前に取扱説明書をお読みください。

6.1 本体の点検

本体に空包ストリップが装填されていないことを確認してください。本体に空包ストリップが装填されている場合は、サイクリンググ

リップで数回動かしながら、空包抜き取り口から空包ストリップを引き出します。本体のすべての表面パーツに損傷がないか、またすべての装置が支障なく作動するか確認してください。パーツが損傷していたり、装置が正しく作動しない場合は、本体を使用しないでください。修理が必要な際は、弊社営業担当またはヒルティ代理店・販売店にご連絡ください。ピストンとピストンブレイキが正しく取り付けられているか、また摩耗がないかを点検します。

7. ご使用方法



注意事項

両手で保持する際に、通気溝や開放口を覆わないように注意してください。

警告事項

打銃作業中に、母材の破片が飛び散ったり、あるいは空包マガジンの一部が飛び出すことがあります。作業者および現場で直近に居合わせる人々は保護メガネおよび保護ヘルメットを着用してください。破片が身体の一部、眼などを傷つけることもあります。

注意

ファスナーの打銃は発射薬の点火によって行われます。作業者および現場で直近に居合わせる人々は耳栓を着用してください。過剰な騒音で聴力の低下を招く場合もあります。

警告事項

本体を身体部分（手の平など）に押し付けると、規定に反して本体が打銃可能状態になることがあります。打銃可能状態になると、身体部分に銃が打ち込まれる恐れがあります（ネイルまたはピストンによる怪我の恐れ）。

決して本体を身体部分に押し付けないでください。

注意

打ち込まれたファスナーに再度打銃し直すと、ファスナーが折れたり、噛むことがありますので止めてください。

注意

一度使用した穴に打銃しないでください。ただし、ヒルティにより指定されている場合を除きます。

注意

本体が過度に熱くなった場合には、冷ましてください。最大打銃数を超えないようにしてください。

7.1 操作

ファスニングガイドライン。常にファスニングガイドラインを守ってください。

注意事項

詳しい仕様情報は、各国のヒルティ社から入手可能な技術ガイドライン、あるいは必要に応じて、各国の技術法規をご参照いただくようにお願いします。

7.2 空包が発火なかった場合の手順

不発、即ち空包が発火しなかった場合は、常に次の手順で作業を進めてください。本体を 30 秒間作業面に押し付けたままにします。

それでも点火しない場合は、本体を作業面から離します。その時、決して自分や周りの人に本体を向けしないでください。

空包ストリップをサイクリング動作により空包 1 個分送ります。空包ストリップの残りの空包を全部使い切ってください。使用済みの空包ストリップを本体から取り出し、間違って再使用されることのないように廃棄してください。

7.2.1 マガジンへのファスナーストリップ装填 ②

ファスナーストリップを上からマガジンに挿入し、マガジン内の最後のファスナーのワッシャーを噛み合わせます。

7.2.2 空包の選択 ③

1. 鋼材強度と母材の取付物厚を決定します。
2. 適切な空包を選択して威力を調整します (空包の推奨適用に基づく)。

注意事項 詳しい空包の推奨適用については、該当する認可基準またはヒルテイのファスニングマニュアルを参照してください。

7.2.3 空包ストリップ装填 ④

空包ストリップを横のマガジンガイドに奥まで挿入します。

7.2.4 連発用本体による打鉄 ⑤

1. 本体を作業面に対して垂直に押し付けます。
2. トリガーを引いて打鉄します。
3. 次の打鉄を行うには、サイクリンググリップを後方に動かし、続けて前方に動かします。

7.2.5 貫入深さの点検と調整 ③ ⑥

注意事項

威力調整つまみを回して本体の威力を調整します。(威力設定 1 = 最小、威力設定 4 = 最大)

1. チェックゲージを用いてファスナーの突出部を点検します。

2. ファスナーの貫入深さが浅すぎる場合は、威力を上げます。威力調整つまみで威力設定を 1 段階上げます。ファスナーが深く入りすぎている場合は、母材があるところに打鉄されているか、またはくぼみがないかを点検してください。作業方法を修正して、プレートが母材と面一になるか、あるいはくぼみがくわずかなものになるようにします。
3. ファスナーを打鉄します。
4. チェックゲージを用いてファスナーの突出部を点検します。
5. それでもまだファスナーの深さが浅すぎたり深すぎたりする場合は、手順 2 ... 4 を繰り返して正しい深さに打鉄されるように調整してください。必要に応じてより強い空包、またはより弱い空包を使用してください。

7.3 本体からの空包とネイルの取り出し

7.3.1 本体からの空包の取り出し ⑦

警告事項

空包を空包ストリップあるいは本体から無理矢理外さないでください。

1. 空包抜き取り口から空包ストリップが見えるようになるまで、サイクリンググリップを数回動かしながら空包ストリップを送ります。
2. 空包ストリップを抜き取り口から引き出します。

7.3.2 連発用本体からのファスナーストリップの取り出し ⑧

警告事項

本体に空包ストリップが装填されていないことを確認してください。本体に空包ストリップが装填されている場合は、空包が見えるようになるまで本体のサイクリンググリップを操作し、空包抜き取り口から手で空包ストリップを引き抜いてください。

注意

ファスナーstriップはスプリング力で飛び出します。

1. ファスナーstriップをマガジンに 5 mm 押し込み、この位置に保持します。
2. 親指で赤のストッパーを前に押し、この位置に保持します。
3. マガジンからファスナーstriップを取り出します。

7.4 ファスナーマガジンまたはファスナーガイド (アクセサリ) の交換

7.4.1 取り外し 9

警告事項

本体に空包が装填されていないことを確認してください。ファスナーマガジンまたはファスナーガイド内にファスナーが装填されていないことを確認してください。

注意

使用後は、取り扱う部分が非常に熱くなっている可能性があります。本体が冷めていないうちに以下の作業を行う必要がある場合は、必ず保護手袋を着用してください。

1. サイクリンググリップがスタート位置にあることを確認してください。
2. ファスナーガイド (またはファスナーマガジン) を外します。
3. ピストンガイドからピストンを取り外し、ファスナーマガジンからピストンブレーキを取り外します。

7.4.2 組み立て 10

1. ピストンブレーキを、位置を正しく合わせてファスナーガイド (またはファスナーマガジン) に挿入します。
例外: HVB ベースプレート。この場合は、ピストンストッパーを正しい位置に (ゴム部分を前に向けて) 挿入します。
2. サイクリンググリップがスタート位置にあることを確認してください。
3. 適切なピストンを本体のピストンガイドに挿入します。
4. ファスナーガイド (またはファスナーマガジン) を、ピストンガイドのストップ位置までねじ込み、噛み合うところまで緩めます。
5. サイクリンググリップを前後に 1 回動かします。

7.5 シングルファスナーガイド (アクセサリ) による打鉄

警告事項

本体に破片ガードが取り付けられていることを確認してください。

7.5.1 単発用本体へのファスナー装填 10

1. 本体を回して、ファスナーガイドを上方に向けます。
2. ファスナーを上方から本体に挿入します。

7.5.2 空包の選択 3

1. 鋼材強度と母材の取付物厚を決定します。
2. 適切な空包を選択して威力を調整します (空包の推奨適用に基づく)。

注意事項 詳しい空包の推奨適用については、該当する認可基準またはヒルティのファスニングマニュアルを参照してください。

7.5.3 空包striップ装填 4

空包striップを横のマガジンガイドに奥まで挿入します。

7.5.4 単発用本体による打鉄

1. 本体を作業面に対して垂直に押し付けます。
2. トリガーを引いて打鉄します。
3. 次の打鉄を行うには、サイクリンググリップを後方に動かし、続けて前方に動かさず。

7.5.5 貫入深さの点検と調整 3 6

注意事項

威力調整つまみを回して本体の威力を調整します。(威力設定 1 = 最小、威力設定 4 = 最大)

貫入深さと威力設定を 7.2.5 章の「貫入深さの点検と調整」に従って点検してください。

7.6 シアコネクターのファスニング (アクセサリ) 9 12

警告事項

本体に破片ガードが取り付けられていることを確認してください。

7.6.1 HVB ファスナーガイドへのファスナーの装着

注意事項

シアコネクタの最初のファスナーの打鉋

注意事項

HVB ファスナーガイドにはピストンストッパー (X-76-PS) が備わっており、ピストンブレーキ (X-76-PB-PTR) が付いていないことに注意してください。

注意事項

このため HVB ベースプレートには貫通防止機能 (PTR 機能) が備わっていません。

1. 7.4 章の「ファスナーマガジンまたはファスナーガイド (アクセサリ) の交換 / 取り付け」に従って HVB ファスナーガイドを取り付けてください。
2. スライダーを動かして噛み合わせ、数字 1 が見えるようにします。
3. 本体を回して、ファスナーガイドを上方向に向けます。
4. ファスナーを上方から本体のマーク付き開口部に挿入します。

7.6.2 空包ストリップ装填

注意事項

HVB シアコネクタのファスニングには、最適な黒色の空包を使用してください。場合によっては赤色の空包も適しています。詳しい空包の推奨適用については、該当する認可基準またはヒルティのファスニングマニュアルを参照してください。

空包ストリップを横のマガジンガイドに奥まで挿入します。

7.6.3 HVB ファスナーガイドによる打鉋 14

1. シアコネクタをベースプレートに挿入します。シアコネクタはマグネットで保持されます。
2. 本体を作業面に対して垂直に押し付けます。
3. トリガーを引いて打鉋します。
4. 次の打鉋を行うには、サイクリンググリップを後方に動かし、続けて前方に動かしします。

7.6.4 貫入深さの点検と調整 9 6

注意事項

威力調整つまみを回して本体の威力を調整します。(威力設定 1 = 最小、威力設定 4 = 最大)

貫入深さと威力設定を 7.2.5 章の「貫入深さの点検と調整」に従って点検してください。

7.6.5 HVB ファスナーガイドへの 2 番目のファスナーの装着 14

注意事項

シアコネクタの 2 番目のファスナーの打鉋

1. スライダーを動かして噛み合わせ、数字 2 が見えるようにします。
2. 本体を回して、ファスナーガイドを上方向に向けます。
3. ファスナーを上方から本体のマーク付き開口部に挿入します。

7.6.6 HVB ファスナーガイドの装着 15

1. ベースプレートをフレームに挿入して、本体を作業面に対して垂直に押し付けます。
2. トリガーを引いて打鉋します。
3. 次の打鉋を行うには、サイクリンググリップを後方に動かし、続けて前方に動かしします。

7.7 グリッドファスニング (アクセサリ)

9 16

警告事項

本体に破片ガードが取り付けられていることを確認してください。

7.7.1 グリッドファスナーガイド (F8) へのファスナーの装着

1. 7.4 章の「ファスナーマガジンまたはファスナーガイド (アクセサリ) の交換 / 取り付け」に従ってグリッドファスナーガイドを取り付けてください。
2. 本体を回して、ファスナーガイドを上方向に向けます。
3. ファスナーを上方から本体に挿入します。

7.7.2 空包ストリップ装填 4

空包ストリップを横のマガジンガイドに奥まで挿入します。

7.7.3 グリッドファスナーガイドによる打銃

1. 本体を作業面に対して垂直に押し付けます。
2. トリガーを引いて打銃します。
3. 可能ならばファスナー突出部をチェックして貫入長を点検してください。
4. フランジを使用する場合は、保持フランジを締め付けてください（締め付けトルク 5 ... 8 Nm）。
5. 次の打銃を行うには、サイクリンググリップを後方に動かし、続けて前方に動かします。

7.7.4 貫入深さの点検と調整 3 6

注意事項

威力調整つまみを回して本体の威力を調整します。（威力設定 1 = 最小、威力設定 4 = 最大）

貫入深さと威力設定を 7.2.5 章の「貫入深さの点検と調整」に従って点検してください。

7.8 F10 ファスナーガイドによるファスニング

警告事項

本体に破片ガードが取り付けられていることを確認してください。

F10 ファスナーガイドによるファスニングはグリッドファスニング（7.7. 章）と同様の手順で行ってください。

7.9 コンクリートへのデッキプレートのファスニング（DX Kwik アクセサリー）

警告事項

本体に破片ガードが取り付けられていることを確認してください。

7.9.1 DX Kwik ファスナーガイドへのファスナーの装着 9 17

1. 7.4 章の「ファスナーマガジンまたはファスナーガイド（アクセサリ）の交換 / 取り付け」に従って DX Kwik ファスナーガイドを取り付けてください。
2. 本体を回して、ファスナーガイドを上方向に向けます。
3. ファスナーを上方向から本体に挿入します。

7.9.2 空包ストリップ装填

注意事項

デッキプレートをコンクリートに留め付けるには、最適な青色の空包を使用してください。詳しい空包の推奨適用については、該当する認可基準またはヒルティのファスニングマニュアルを参照してください。

空包ストリップを横のマガジンガイドに奥まで挿入します。

7.9.3 DX Kwik ファスナーガイドによる打銃 13

1. デッキプレートおよびコンクリート母材にステップドリルで予備穿孔を行ってください。
2. ファスナーガイドから突出したネイルを予備穿孔した穴に挿入し、本体を垂直に押し付けます。
3. トリガーを引いて打銃します。
4. 次の打銃を行うには、サイクリンググリップを後方に動かし、続けて前方に動かします。

7.9.4 貫入深さの点検と調整 3 6

注意事項

威力調整つまみを回して本体の威力を調整します。（威力設定 1 = 最小、威力設定 4 = 最大）

貫入深さと威力設定を 7.2.5 章の「貫入深さの点検と調整」に従って点検してください。

8. 手入れと保守



注意

このタイプの工具を通常の作動条件下で使用した場合、汚れが生じたり機能的に重要なパーツが磨耗することがあります。信頼性のある安全な作動のために、定期的な点検と手入れが欠かせません。ヒルティは、本体の清掃、ピストンおよびピストンブレイキの点検を、集中的に使用する場合は少なくともも日に1回、遅くとも3,000発の打鉄後に実施することを推奨します。

警告事項

本体に空包が装填されていないことを確認してください。ファスナーマガジンまたはファスナーガイド内にファスナーが装填されていないことを確認してください。

注意

使用中に本体が熱くなることがあります。手に火傷を負う場合があります。手入れと保守作業を行う際は、保護手袋を着用してください。本体を冷ましてください。

8.1 本体の手入れ

定期的に、少し湿した布で本体表面を拭いてください。

注意事項

スプレーやスチームによる清掃は避けてください。通気溝が覆われた状態で本体を使用しないでください。本体内部に異物が入らないようにしてください。

8.2 保守

本体の全ての表面パーツに損傷がないか、また全ての装置が支障なく作動するか定期的に確認してください。パーツが損傷していたり、装置が正しく作動しない場合は、本体を使用しないでください。修理が必要な際は、弊社営業担当またはヒルティ代理店・販売店にご連絡ください。

本体には必ず推奨された空包を使用し、推奨された威力設定で作動させてください。空

包の選択を間違ったり、威力設定が高すぎると、本体パーツが早期に故障してしまいます。**注意**

DX 本体の汚れには、健康を損なう恐れのある物質が含まれています。清掃中に埃 / 汚れを吸い込まないでください。食品に埃 / 汚れが付着しないようにしてください。本体の清掃後には手を洗ってください。本体部品の手入れや保守 / 潤滑にグリスを使用しないでください。グリスを使用すると、本体が正常に作動しなくなることがあります。ヒルティスプレーまたは同品質の製品のみを使用してください。

8.2.1 ピストンを点検し、ピストン / ピストンブレイキを交換する

警告事項

本体に空包が装填されていないことを確認してください。ファスナーマガジンまたはファスナーガイド内にファスナーが装填されていないことを確認してください。

注意

使用後は、取り扱う部分が非常に熱くなっている可能性があります。本体が冷めていないうちに以下の作業を行う必要がある場合は、必ず保護手袋を着用してください。

注意事項

正常でない打鉄が繰り返されると、ピストンおよびピストンブレイキが摩耗します。ピストンに破断が認められる場合やピストンブレイキの合成ゴムが激しく摩耗している場合は、部品が寿命に達しています。

注意事項

ピストンとピストンブレイキの点検は定期的（少なくともも日に1回）行ってください。

注意事項

ピストンおよびピストンブレイキを交換するには、ファスナーマガジンまたはファスナーガイドのみを外すだけでかまいません。ピストンガイドを取り外す必要はありません。

1. ファスナーガイド (またはファスナーマガジン) を外します。
2. ピストンをピストンガイドから引き出します。
3. ピストンに損傷がないか点検します。損傷の形跡が認められる場合は、ピストンおよびピストンブレーキを交換してください。ピストンブレーキの合成ゴムに摩耗の痕跡がないか点検します。
注意事項ピストンを水平面上にころがして、まっすぐに転がるか点検します。摩耗したピストンは使用しないでください。また、ピストンを加工しないでください。
注意事項ピストンブレーキの上部リングを下部リングに対して簡単に回すことができる場合、ピストンブレーキが寿命に達しているので交換してください。
4. ピストンの交換が必要な場合は、ファスナーガイドからピストンブレーキを取り外します。
5. 新品のピストンブレーキを、位置を正しく合わせてファスナーガイド (またはファスナーマガジン) に挿入します。
注意事項ピストンブレーキの開口部にヒルティスプレーを吹き付けてください。
注意事項HVB ファスナーガイドには、ピストンブレーキの代わりにピストンストップバーが付いています。
6. ピストンを本体のピストンガイドに挿入します。
7. ファスナーガイド (またはファスナーマガジン) を、ピストンガイドのストップ位置までねじ込み、噛み合うところまで緩めます。
8. サイクリンググリップを前後に 1 回動かします。
2. ファスナーマガジン (またはファスナーガイド) を外します。
3. ピストンガイドからピストンを取り外し、ファスナーマガジン (またはファスナーガイド) からピストンブレーキを取り外します。
4. **注意**本体は必ずピストンガイドを上方にして保持してください。これを守らないとピストンガイドが落下することがあります。
ピストンガイドリリースレバーを回して外します。
5. 本体からピストンガイドを引き出します。
注意事項ピストンガイドをさらに分解する必要はありません。
6. 本体のピストンガイドのシートを清掃します。
7. ピストンガイドの内部と外部を大型ブラシで清掃します。
8. 威力調整ピン用の穴を小型丸ブラシで、また葉室をテーパー形ブラシで清掃します。
9. ピストンガイドのスライダーとカラーにヒルティスプレーでオイルを吹き付けます。
10. 本体内のスチール部品にヒルティスプレーでオイルを吹き付けます。
注意事項ヒルティスプレー以外の潤滑剤を使用しますと、ゴム部分が損傷する恐れがあります。
11. サイクリンググリップがスタート位置にあることを確認してください。
12. ピストンガイドを本体に押し込みます。
13. ピストンガイドを軽く押し付けます。
注意事項レバーは、ピストンガイドを軽く押すことによって (数 mm) 閉じることができます。それでもレバーを閉じることができない場合は、第 9 章の「故障かな? と思った時」を参照してください。
14. ピストンガイドを軽く押し付けながら、レバーを回して閉じます。
15. ピストンをピストンガイドに挿入します。
16. ピストンブレーキを取り付けます。
17. ファスナーガイド (またはファスナーマガジン) を、ピストンガイドのストップ位置までねじ込み、噛み合うところまで緩めます。
18. サイクリンググリップの後ろにあるハウジングのギャップから空包送り機構にヒルティスプレーでオイルを吹き付けます。
19. サイクリンググリップを前後に 1 回動かします。

8.2.2 ピストンガイドの清掃 9 19 20 21 22

警告事項

本体に空包が装填されていないことを確認してください。ファスナーマガジンまたはファスナーガイド内にファスナーが装填されていないことを確認してください。

注意

使用後は、取り扱う部分が非常に熱くなっている可能性があります。本体が冷めていないうちに以下の作業を行う必要がある場合は、必ず保護手袋を着用してください。

1. サイクリンググリップがスタート位置にあることを確認してください。

8.3 手入れと保守を行った後の点検

手入れ、保守の作業を済ませた後、および空包を装填する前には、すべての安全装置が装

着され、正常に作動することを確認してください。



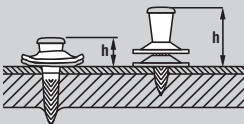
9. 故障かな？ と思った時

警告事項

修理作業を行う前に、本体から空包とネイルを取り出してください。

症状	考えられる原因	処置
空包が送られない。	空包ストリップの損傷。	空包ストリップを交換する。 以下の章を参照してください： 7.3.1 本体からの空包の取り出し 7
	本体の損傷。	ヒルティサービスセンターに連絡する。
空包ストリップを取り出せない。	本体の損傷、または規定の打鋸数を超えたために過熱した。	本体を覚ましてから、新たに空包ストリップを慎重に取り出してみる。ピストンガイドを本体から取り外す。空包スリーブが薬室内で引っかかっている場合は、清掃キットの丸型ロッドを使用してこれを取り除く。それでも再発する場合は、ヒルティサービスセンターに連絡する。 注意事項 空包をマガジンストリップあるいは本体から無理矢理外さないでください。
空包が発火しない。	本体が完全に押し付けられていない。	本体を作業面に押し付け、トリガーを引く。
	空包ストリップが空。	空包ストリップを取り出し、新品を装填する。
	マガジンまたはファスナーガイドがしっかり締め付けられていない。	マガジンをさらに締め付ける。
	単独の空包の不良。	サイクリング動作を繰り返し、残っている空包を使い切る。
	本体の故障、または複数の空包の不良。	ヒルティサービスセンターに連絡する。
	本体のサイクリング動作が行われていない。	本体のサイクリング動作を行う。

ja

症状	考えられる原因	処置
ファスナーの打鋸が深すぎる。 	鉄骨梁の打鋸位置がずれた。 メタルプレートと母材の間にくぼみがある。 正しくないピストンが取り付けられている。	鉄骨梁位置に印を付け、打鋸をやり直す。 メタルプレートが母材上にぴったりと重なるように施工面を修正してください。 ピストン / ファスナーの組み合わせが正しいか確認する。X-ENP ファスナーには X-76-P-ENP-PTR ピストンを使用する。ENP2K ファスナーには X-76-P-ENP2K-PTR ピストンを使用する。
ファスナーの打鋸が浅すぎる。 	鉄骨梁のウェブ上に打鋸された。 母材厚が変更された。 威力が小さすぎる。	最初のファスナーから位置をずらして別のファスナーを打鋸する。 空包の推奨適用に基づき、威力設定を上げる、またはより強い空包を使用する。 以下の章を参照してください : ?? ?? 空包の推奨適用に基づき、威力設定を上げる、またはより強い空包を使用する。 以下の章を参照してください : ?? ??
	本体の汚れが激しい。 ピストンが折れている。 本体の損傷。	本体を清掃する。 ピストンとピストンブレイクを交換する。 ヒルティサービスセンターに連絡する。
	正しくないピストンが取り付けられている。	ピストン / ファスナーの組み合わせが正しいか確認する。X-ENP ファスナーには X-76-P-ENP-PTR ピストンを使用する。ENP2K ファスナーには緑マーク付きの X-76-P-ENP2K-PTR ピストンを使用する。
ファスナーの打鋸深さが著しく変動する。 	本体が急激に押し付けられた。 サイクリング動作が均等でない、または完全に行われない。 本体の出力が不安定。	急激な押し付けを避ける。 本体のサイクリング動作を完全に行う。 本体を清掃する。新品の摩耗パーツを装着する。それでも威力が変動する場合はヒルティサービスセンターに連絡する。

症状	考えられる原因	処置
折損。	ピストン先端部が摩耗している、または一部折れている。	ピストンとピストンブレーキを交換する。
	鉄骨梁のウェブ上に打鋸された。	本体を位置決めし直し、別のファスナーを打鋸する。
	本体が斜めに押し付けられている。	本体を母材に垂直に押し付ける。
	母材厚が増した。	推奨されたファスナーが使用されているか点検する。ファスナーが正しい場合は、空包の推奨適用に基づき威力設定を上げる、またはより強い空包を使用する。
本体が押し付けられたまま戻らない。	ピストンがピストンブレーキ内で引っ掛かっている。	ピストンとピストンブレーキを交換する。 以下の章を参照してください： 7.4.1 取り外し 9 以下の章を参照してください： 7.4.2 組み立て 10
	本体の汚れが激しい。	以下の章を参照してください： 8.2.2 ピストンガイドの清掃 9 19 20 21 22
	空包ストリップの引っ掛かり、本体の過熱。	症状「空包ストリップを取り出せない」を参照。最大打鋸数を守る。
	点火できない。	本体のサイクリング動作が正しく行われなかった、サイクリンググリップがスタート位置にない。
点火できない。	本体を完全に押し付ける前にトリガーが引かれた。	本体を作業面に完全に押し付け、トリガーを引く。
	ファスナー送りの異常。	以下の章を参照してください： 7.2.1 マガジンへのファスナーストリップ装填 2 以下の章を参照してください： 7.3.2 連発用本体からのファスナーストリップの取り出し 3
	マガジンまたはファスナーガイドがしっかり締め付けられていない。	マガジンと単発用ファスナーガイドを完全に締め付ける。
	本体の損傷。	ヒルティサービスセンターに連絡する。
	ファスナーが打鋸されない。	本体のサイクリング動作が正しく行われなかった、サイクリンググリップがスタート位置にない。
ファスナーが打鋸されない。	ファスナーが取り付けられていない。	ファスナーを本体に挿入する。

症状	考えられる原因	処置
ファスナーが打鉄されない。	マガジン内のファスナー送り機構の故障。	ヒルティサービスセンターに連絡する。
	ピストンが取り付けられていない。	ピストンを本体に挿入する。
	ピストンが折れている。	ピストンとピストンブレーキを交換する。
	ピストンがリセットされない。	ヒルティサービスセンターに連絡する。
	ファスナーガイドの汚れ。	付属のブラシを使用して、ファスナーガイドと関連パーツを清掃する。ヒルティスプレーでオイルを吹き付ける。
	ファスナーガイド内でファスナーが引っ掛かっている。	引っ掛かったファスナーを取り出す。ツールマガジンからマガジンストリップのプラスチックのかすを取り除く。折損を防止する（上記参照）。鉄骨梁から位置がずれないようにする。必要に応じて鉄骨梁の位置に正確に印を付ける。
ファスナーガイドを本体に完全に締め付けられない。	ピストンガイドのネジ端部の汚れ。	清掃し、ネジ部にオイルを塗る。
ピストンを取り付けられない。	本体、特にピストンガイドの汚れ。	ピストンガイドを清掃し、ピストンを取り付ける。
	ピンがピストンガイド内で見える。	ピンを前方に引いてかみ合わせる。
ピストンガイドを取り付けられない。	レバーが閉じている。	以下の章を参照してください： 8.2.2 ピストンガイドの清掃 9 19 20 21 22
	ピストンガイドの位置が正しくない。	以下の章を参照してください： 8.2.2 ピストンガイドの清掃 9 19 20 21 22
サイクリング動作がスムーズでない。	本体の汚れ。	本体を清掃する。 以下の章を参照してください： 8.2.2 ピストンガイドの清掃 9 19 20 21 22
	ピストンとピストンブレーキが寿命間近である。	ピストンとピストンブレーキを交換する。
	本体の損傷。	ヒルティサービスセンターに連絡する。

10. 廃棄



本体の大部分の部品はリサイクル可能です。リサイクル前にそれぞれの部品は分別して回収されなければなりません。多くの国でヒルティは、本体や古い電動工具をリサイクルのために回収しています。詳細については弊社営業担当またはヒルティ代理店・販売店にお尋ねください。本体部品の分別については、国の定める基準と関連法規および国際法規に従ってください。

それぞれの部品は下記の様に分別してください：

パーツ / アセンブリ	材質	リサイクル
本体ケース	プラスチック	プラスチック
ハウジング外側	プラスチック / 合成ゴム	プラスチック
ピストン	鋼材	くず鉄
ピストンブレーキ	鋼材 / プラスチック	くず鉄
ネジ、小部品	鋼材	くず鉄
使用済み空包	鋼材 / プラスチック	各国の規定に基づく

11. 本体に関するメーカー保証

ヒルティは提供した本体に材質的または、製造上欠陥がないことを保証します。この保証はヒルティ取扱説明書に従って本体の操作、取り扱いおよび清掃、保守が正しく行われていること、ならびに技術システムが維持されていることを条件とします。このことは、ヒルティ純正の、消耗品、付属品、修理部品、および質的に同価値の製品のみを本体に使用することができることを意味します。

この保証で提供されるのは、本体のライフタイム期間内における欠陥部品の無償の修理サービスまたは部品交換に限られます。通常の摩耗の結果として必要となる修理、部品交換はこの保証の対象となりません。

上記以外の請求は、拘束力のある国内規則がかかる請求の排除を禁じている場合を除き一切排除されます。とりわけ、ヒルティは、本体の使用目的の如何に関わらず、使用した若しくは使用できなかったことに関して、またはそのことを理由として生じた直接的、間接的、付随的、結果的な損害、損失または費用について責任を負いません。市場適合性および目的への適合性についての保証は明確に排除されます。

修理または交換の際は、欠陥が判明した本体または関連部品を直ちに弊社営業担当またはヒルティ代理店・販売店宛てにお送りください。

以上が、保証に関するヒルティの全責任であり、保証に関するその他の説明、または口頭若しくは文書による取り決めは何ら効力を有しません。

ja

12. EU 規格の準拠証明

名称：	安全鋏打機
機種名：	DX 76 PTR
設計年：	2005

この製品は以下の基準と標準規格に適合していることを保証します：2006/42/EG.

Hilti Corporation



Norbert Wohlwend
Head of Quality & Processes
Management
BU Direct Fastening
10 2010



Raimund Zaggl
Senior Vice President

BU Direct Fastening
10 2010

ja

13. CIP 検査合格

ヒルティ DX 76 PTR は工法システム・型式試験に合格しております。本体には PTB の承認済みであることを示す四角マークと承認番号 S 816 が付されています。これにより、ヒルティは当製品が認可された型式のものである

ことを保証します。万一本体使用中に受容・許容できない欠陥、不備があることが判明した場合には、承認機関 (PTB) の責任者および CIP 事務局に報告する義務が課せられています。

14. 使用者の健康と安全

14.1 騒音データ

空砲式安全鋏打機

タイプ	DX 76 PTR
モデル	シリーズ
ゲージ	6.8/18 青
威力設定	4
用途	X-ENP 19 L15MX を使用しての 8 mm 鋼材へのファスニング (400 MPa)

ISO 4871:1996 に基づく音響指数の測定値

サウンドパワーレベル、 $L_{WA, 1S}$	114 dB (A)
測定不確実性、 K_{WA}	2 dB
作業場でのサウンドプレッシャーレベル (1000 ファスニング / 日)、 L_{pAeq}	94 dB (A)
測定不確実性、 K_{pA}	2 dB
排出サウンドプレッシャーレベル、 L_{pC} 、ピーク	139 dB (C)
測定不確実性、 K_{pC}	2 dB

音響指数は、EN 15895-1 に規定された音響測定に関する指示に従い、規格 EN ISO 3744:1995 および EN ISO 11204:1995 に基づき測定されたものです。

注記：測定された排出騒音とその測定不確実性は、測定時に予想される音響指数の上限を示しています。

作業状況いかんで、騒音放出値に増減が生じる可能性があります。

14.2 振動

2006/42/EC に準拠した合計振動値は 2.5 m/s^2 以下です。

使用者の健康と安全に関する詳細は、ヒルティのインターネットサイト「www.hilti.com/hse」でご確認ください。

ja

原始操作說明

DX 76 PTR 直接固定機具

第一次使用本機具前，請務必詳讀此操作說明。

本操作說明應與機具放在一起。

機具轉交給他人時必須連同操作說明一起轉交。

內容	頁次
1. 一般使用說明	79
2. 產品說明	80
3. 配件、耗材	83
4. 技術資料	83
5. 安全說明	84
6. 使用前注意事項	86
7. 操作	86
8. 維護和保養	90
9. 故障排除	92
10. 廢棄機具處置	96
11. 製造商保固 - 機具	97
12. 歐規符合聲明	97
13. CIP測試確認	98
14. 操作員的健康及安全	98

1 這些號碼參照對應的圖案。圖案說明可以在封面的內摺頁中找到。在研讀操作說明時，請將此頁打開。

本操作手冊中所稱「機具」係指DX 76 PTR火藥擊釘固定機具。

零件及操作控制 **1**

DX 76 PTR機具：

- ① MX 76-PTR固定釘釘匣
- ② 定位鑽針
- ③ 保護蓋
- ④ 循環握把
- ⑤ 火藥筒導軌
- ⑥ 載入狀態控制窗
- ⑦ 驅動力調節輪
- ⑧ 驅動力調節指示器
- ⑨ 填充尾蓋
- ⑩ 機具外殼
- ⑪ 握把
- ⑫ 扳機
- ⑬ 活塞導環釋放機柄
- ⑭ 活塞導環
- ⑮ 固定釘彈藥碎片擋板
- ⑯ 固定釘停止片
- ⑰ 通風槽
- ⑱ X-76-F-15-PTR固定釘導環
- ⑲ 機具碎片擋板

磨損部份

- ⑳ X-76-P-ENP-PTR活塞
- ㉑ X-76-P-ENP2K-PTR活塞
- ㉒ X-76-P-PB-PTR活塞煞車

zh

1. 一般使用說明

1.1 安全須知及其意義

危險

用於告知可能會發生對人體造成嚴重傷害甚至死亡的立即性危險情況。

警告

用於告知可能會發生造成人員受傷或死亡之重度危險情況。

注意

用於告知可能會發生造成人員受傷，或造成設備及其他財產損壞的輕度危險情況。

附註

注意操作說明或其他有用的資訊內容。

1.2 圖形符號之說明及其他資訊

警告標誌



一般警告



警告：爆炸性物質



警告：表面高溫

遵守標誌



配戴
護目鏡



配戴
安全帽



配戴保
護耳罩



配戴防
護手套

符號



使用前請
閱讀本操
作說明

機具識別資料位置

本機具型號及序號標示於型號辨識牌上。請在操作說明書上記下這些資料，並於洽詢Hilti業務代表或維修部門時告知。

型號： _____

序號： _____

2. 產品說明

2.1 按照指示使用產品

機具係專用於建築工程，以及其他需要將固定釘釘入鋼板中的相關工業所使用。此機具僅允許以手持方式使用。

不可改裝本機具。

非經許可，請勿在具爆炸性或易燃的環境下使用本機具。

為避免受傷，請僅使用原廠Hilti的固定釘、填充筒、配件及備用零件或其他相同材質的替代品。

遵守本操作說明書中關於操作、保養及維修的資訊。

未經訓練的人員以錯誤方式或不按照指示使用本機具及其附件，可能會發生危險。

本機具僅能由經授權且經訓練的人員操作、維修及保養。且需告知該人員可能遭遇到的任何危險。

火藥擊釘固定機具以及機具本身、連發釘匣、填充筒及固定釘構成一技術單元。

這表示唯有使用此系統，亦即當所使用的Hilti固定釘及填充筒為專為此機具製造的產品，或具相同品質的替代品時，方可確保固定作業無故障發生。僅在這些條件符合的情況下，方能進行Hilti所建議的固定及應用作業。

為達到最佳效果及最高可靠性，建議使用Hilti填充筒或相同品質的產品。

下列事項亦適用於EU及EFTA國家：為確保本機具使用安全，填充筒必須符合C.I.P.測試之要求（來源：Comprehensive edition of adopted C.I.P. decisions,

Liège, Belgium, 2005），以及於www.hilti.com/cartridge-test所述之測試。

本機具具備五向安全系統，確保使用者及所有旁觀者安全。

2.2 活塞原理與活塞煞車

引燃火藥所釋放的能量會傳送到活塞，使活塞加速前進而將固定釘打入基材中。根據活塞原理的應用情況，本機具可定位為「低速率機具」。機具啟動後，大約有95 %的動力是由活塞釋放出。活塞煞車會使活塞在其衝程結束後停止動作，因此剩餘的動力會由機具吸收。故若正確使用機具，不可能會發生因射出而引發的危險情況。

2.3 防掉落擊發裝置

防掉落擊發裝置為一種將擊發機制與扳機連結的安全設計。此裝置可防止當機具不慎掉落地面時（不論以什麼角度撞擊地面），皆不會有引發火災之虞。

2.4 安全扳機裝置

安全扳機裝置可確保固定釘不會只因扣扳機的動作便擊出。機具槍口必須先對著堅硬表面施壓，再扣引扳機才能釋出固定釘。

2.5 觸壓安全裝置

機具槍口必須完全對著堅硬的表面施加至少50 N的壓力，才能擊發固定釘。

2.6 意外擊發安全裝置

本機具也配備有意外擊發安全裝置。若先扣下扳機，才將機具槍口對著工作面施壓，本裝置能防止機具在此情況下擊發。唯有先將機具槍口對著工作面施壓，隨後再扣下扳機，才能擊發機具。

2.7 DX 76 PTR機具：應用和適用的固定釘

將金屬薄板固定在厚度6mm的實心鋼板上

所需項目	序號名稱	註解
固定釘	X-ENP-19 L15 MX	每個連發螺釘帶內有10個固定釘
固定釘釘匣	MX 76-PTR	
活塞設定	X-76-P-ENP-PTR	

所需項目	序號名稱	註解
固定釘	X-ENP-19 L15	單式固定釘
單固定釘導環	X-76-F-15-PTR	

將金屬薄板固定在厚度3–6 mm的鋼板上。

所需項目	序號名稱	註解
固定釘	X-ENP2K-20 L15 MX	每個連發螺釘帶內有10個固定釘

所需項目	序號名稱	註解
固定釘釘匣	MX 76-PTR	
活塞設定	X-76-P-ENP2K-PTR	

所需項目	序號名稱	註解
固定釘	ENP2K-20 L15	單式固定釘
單固定釘導環	X-76-F-15-PTR	

固定剪刀連接頭

zh

所需項目	序號名稱	註解
固定釘	X-ENP-21 HVB	每個剪刀連接器內有2個固定釘
剪刀連接器	X-HVB 50/ 80/ 95/ 110/ 125/ 140	
固定釘導環	X-76-F-HVB-PTR	
活塞	X-76-P-HVB-PTR	

將金屬表面的薄板固定在混凝土上 (DX-Kwik)

所需項目	序號名稱	註解
固定釘	NPH2-42 L15	
固定釘導環	X-76-F-Kwik-PTR	
活塞	X-76-P-Kwik-PTR	
停止鑽頭	TX-C 5/23	停止鑽頭以進行預鑽

框架固定釘 (直徑8mm)

所需項目	序號名稱	註解
固定釘	X-EM8H/ X-CR M8	用來安裝X-FCM-M、X-FCM-R、X-FCP-F、X-FCP-R
固定釘	X-GR/ X-GR-RU	框架固定系統
固定釘導環	X-76-F-8-GR-PTR	
活塞	X-76-P-8-GR-PTR	

用於鋼材與混凝土之固定釘

所需項目	序號名稱	註解
固定釘	DS 27-37	於混凝土與鋼材上進行一般耐久固定之鋼釘
固定釘	EDS 19-22	用於固定鋼材之鋼釘

所需項目	序號名稱	註解
固定釘	X-EM10H	鋼材基材上的10 mm螺栓
固定釘導環	X-76-F-10-PTR	
活塞	X-76-P-10-PTR	

3. 配件、耗材

Hilti工具箱	DX 76 PTR KFD , 大型、可上鎖的火藥室
釘匣機具之工具箱	DX 76 PTR
清潔設定	DX 76 / 860-ENP , 扁刷、直徑25 mm圓刷、直徑8 mm圓刷、推桿、清潔擦拭布
護目鏡	透明 / 有色
護目鏡	
耳朵保護裝置	小
Hilti噴霧劑	
活塞和活塞煞車設定	X-76-P-ENP-PTR和X-76-P-ENP2K-PTR
釘匣和單式固定釘導環的碎片檔板	
DX 76 PTR測試口徑	
備用活塞	
滑動元件修復工具組	

火藥筒型號	序號名稱
特濃	6.8/18 M黑
超濃	6.8/18 M紅
濃	6.8/18 M藍
淡	6.8/18 M綠

4. 技術資料

保留更改技術資料權利。

附註

*適用於無故障操作

機具	DX 76 PTR
包含連發釘匣之重量	4.37 kg

機具	DX 76 PTR
機具規格 (長x寬x高)	464 mm × 104 mm × 352 mm
釘匣容量	10根固定釘
氣爆通道	32 mm
觸壓	90...130 N
周遭環境操作溫度範圍	-15...+50°C
平均最高擊釘頻率*	600/h

5. 安全說明

5.1 基本安全相關資訊

除各節操作說明所提供的安全相關資訊外，應隨時嚴格遵守以下規定。

5.1.1 人員安全

- 操作此直接固定擊釘器時，請提高警覺，注意您正在進行的事情，並善用常識。當您感到疲勞或受藥物、酒精或治療的影響時，請勿使用機具。操作機具時稍不留神就可能造成嚴重的人員傷亡。
- 避免不良的操作姿勢。隨時確定以安全的姿勢進行工作並保持身體平衡。
- 不可將機具對準自己或他人。
- 勿將機具槍口抵住手部或任何身體部位（或其他人的手部或身體部位）。
- 請其他人員（尤其是孩童）遠離工作範圍。
- 使用機具時，請保持手臂稍微彎曲（切勿伸直手臂）。

5.1.2 火藥擊釘固定機具的使用與保養

- 請針對工作使用正確的機具。請勿將機具使用於非其設計用途上。僅在符合規定及無故障狀態中使用機具。
- 以垂直於工作平面的角度按壓機具。
- 機具必須隨時有人看管。

- 進行清潔、維修及保養、貯放前應將機具卸載（移除火藥筒及固定釘）。
- 機具於不使用狀態下，必須卸載並貯放於乾燥、上鎖或兒童無法取得的地方。
- 檢查機具或設備及其配件是否有任何損壞。為確保運作無瑕疵且能如預期發揮效果，需小心檢查其防護套、安全裝置，以及零件上是否有任何細微的損傷。檢查移動性零件的功能是否正常不卡住，無任何損壞零件。所有零件需正確安裝並符合正確操作機具或設備相關條件。除非操作說明中有特別註明，否則應將損壞的防護套、安全裝置及其他零件交付Hilti維修中心進行修理或作適當更換。
- 當機具完全以垂直角度抵住工作表面時方能扣上扳機。
- 擊發固定釘時，請握緊機具並以垂直角度抵住工作平面。這可避免固定釘因工作表面而偏斜。
- 不可重覆鑽入固定釘。這可能導致固定釘斷裂而夾在機具裡。
- 除非是Hilti建議，否則不可將固定釘鑽入既有的孔洞中。
- 請遵守使用指南。
- 若使用情況許可，請配合使用碎片檔板。

- m) 切勿以手將釘匣和固定釘導環退回，因為這在某些情況下會讓機具處於待發狀態。這可能導致固定釘鑽入人員身體部位。

5.1.3 工作場所安全



- a) 請確保工作場所良好的照明。
- b) 僅在通風良好的工作場所操作本機具。
- c) 勿將固定釘鑽入不合適的材料上。例如鑄鐵和鍛鋼都是太硬的材料。例如木頭和鎖牆板（石膏板）都是太軟材料。例如玻璃和陶瓷都是易碎的材料。將固定釘鑽入這些材料會造成固定釘斷裂、破碎或穿透。
- d) 嚴禁試圖將固定釘釘入下列物質中：玻璃、大理石、塑膠、青銅、黃銅、銅、石頭、絕緣物、空心磚、磁磚、薄金屬板（< 2.7 mm）、鑄鐵或多孔混泥土。
- e) 鑽入固定釘前，請先確認工件接觸面正下方或正後方沒有其他人員。
- f) 保持工作場所整齊。將可能造成傷害的物品自工作場所移開。雜亂的工作場所可能導致意外事故。
- g) 保持握把的乾燥與清潔，不要讓上面出現油漬與潤滑劑。
- h) 穿上防滑鞋。
- i) 請考慮週遭環境可能造成之干擾。請勿把機具曝露在雨中或雪中，且不得在潮溼情形下使用。請勿在有可能發生火災或爆炸危險的地方使用。

5.1.4 機械安全須知



- a) 為手邊的工作選擇正確的固定釘導環和固定釘組合。未使用正確的項

目組合，可能使人員受傷或造成機具損壞並 / 或無法提供滿意的固定品質。

- b) 僅限使用經認可適用於本機具的固定釘種類。
- c) 釘匣正確安裝在機具前，勿充填固定釘。固定釘可能因失控而射出。
- d) 嚴禁使用磨損或受損的活塞煞車，並請勿試圖仿造或修改活塞。

5.1.5 高溫安全須知



- a) 機具過熱時，應讓其冷卻。操作時勿超過建議的固定釘擊發速率。
- b) 如需拆解以進行清潔或維護工作時，機具冷卻前應穿戴手套。
- c) 若發現機具的塑膠火藥筒開始融化，請讓機具降溫。

5.1.6 爆炸的風險



- a) 僅限使用經認可適用於本機具的火藥筒種類。
- b) 卸下機具的火藥筒時請小心謹慎。
- c) 請勿試圖用蠻力將火藥筒從連發螺釘帶或機具中卸下。
- d) 未使用的火藥筒，必須存放在乾燥、高處、上鎖或孩童無法觸及之處。

5.1.7 人員保護設備



機具運轉或檢查故障機具時，使用者和附近的人員，需佩戴合適的護目鏡及安全帽和耳罩。使用者也需穿戴防護手套。

6. 使用前注意事項



附註

初次使用本機具前，請詳讀此操作說明。

6.1 檢查機具

請確認機具中沒有火藥筒。若機具中裝有火藥筒，請使用循環握把循環機

具數次，直到火藥筒從火藥筒出口穿出機具，並足以將其從機具拉出並卸下為止。

檢查機具外部部件有無損壞，並檢查所有控制元件是否能正常運作。如果零件受損或控制裝置無法正常運作，請勿操作機具。請您將機具交由Hilti授權維修中心來修理。

確認活塞和配合使用的活塞煞車，並確保這些零件都正確適用。

zh

7. 操作



附註

當您以另一手抓住機具時，請務必注意不可將通風槽或開口擋住。

警告

打入固定釘時，材料可能會碎裂，或者連發釘帶的碎片可能會飛落。本機具使用者及其附近人員，均須戴上護目鏡及安全帽。碎裂的材料對眼睛與身體有造成傷害的危險。

注意

藉由引燃火藥的火源開始固定釘擊發動作。本機具使用者及其附近人員，均須戴上耳罩。暴露於噪音環境會導致聽力受損。

警告

不可將此機具抵住身體部位（例如手），讓機具處於擊發的就緒狀態。這可能會使釘子或活塞打入身體部位內。絕不可將此機具抵住身體部位。

注意

不可重覆鑽入固定釘。這可能導致固定釘斷裂而夾在機具裡。

注意

除非是Hilti建議，否則不可將固定釘鑽入既有的孔洞中。

注意

機具過熱時，應讓其冷卻。操作時勿超過建議的固定釘擊發速率。

7.1 操作

固定指南：請隨時遵守本指南。

附註

若需要詳細資訊，請向您當地的Hilti代表處索取技術說明或國家技術法規。

7.2 火藥筒無法點火的處理程序

若火藥點火失敗或無法點火，請依照下列程序處理：

將機具槍口以垂直角度抵住工作表面30秒。

若火藥還是無法點火，請將機具從工作面上舉起，並小心機具槍口不要朝向任何人，包括您自己。

使用循環機具裝上一個火藥筒。把火藥筒中剩下的火藥用完，並把用過的

火藥筒從機具上卸下。為了防止任何點火失敗的火藥被重複使用或誤用，使用過（或部分使用過）的火藥筒必須依程序儘速丟棄。

7.2.1 在釘匣中載入固定釘鍊條 2

從上方將固定釘鍊條堆入釘匣中，直到最後一枚固定釘的墊片與釘匣互相咬合。

7.2.2 選擇火藥筒 3

1. 決定要固定的物體厚度，以及承載鋼板的等級。
2. 根據火藥筒建議選擇合適的火藥筒及火力設定。

附註 如需建議使用的火藥筒詳細資料，請參閱適用的許可說明或Hilti固定作業技術操作手冊。

7.2.3 插入火藥筒 4

將火藥筒推入機具側面上的火藥筒導軌，並推到底。

7.2.4 以釘匣機具驅動固定釘 5

1. 以垂直於工作平面的角度抵住機具。
2. 以扳機擊發固定釘。
3. 將循環握把推向機具尾端，再往前推回原位，讓機具預備驅動下一個固定釘。

7.2.5 檢查並調整固定釘鑽入深度 3 6

附註

固定釘釘入深度可由轉動機具上的電動調節輪來調整（設定1 = 最小；設定4 = 最大）。

1. 利用測試口徑確認釘入的深度。

2. 若固定釘釘得不夠深，則必須增加驅動力。將驅動力調節輪調整至更強一段的設定。若固定釘釘得太深，務必檢查確認支撐物（例如：樑）是否在點上。請勿將固定釘栓入不適用的金屬面板。檢查確認金屬薄板緊緊靠住支撐結構，或薄板底下的縫隙各自保持在最小範圍。
3. 鑽入固定釘。
4. 利用測試口徑確認釘入的深度。
5. 若固定釘仍然釘得不夠深或釘得太深，請重複執行步驟2至步驟4，直到達成正確深度為止。如有需要，請搭配使用更強或更弱的火藥。

7.3 機具卸載

7.3.1 從機具移除火藥 7

警告

請勿試圖用蠻力將火藥筒從連發螺釘帶或機具中卸下。

1. 移動循環握把，把火藥筒推入機具，直到能從出口縫隙看見火藥筒為止。
2. 把火藥筒從機具的火藥筒出口縫隙拉出。

7.3.2 將固定釘鍊條從機具上卸下 8

警告

請確認機具中沒有火藥筒。若機具中仍裝有火藥筒，操作循環握把直到火藥筒穿出機具，然後用手將其從火藥筒出口拉出，自機具移除。

注意

固定釘鍊條會被彈簧的壓力彈出。

1. 將固定釘鍊條往釘匣內推入5 mm，並將它固定在此位置上。
2. 用大拇指將釘匣勾向前推，並將它固定在此位置上。
3. 自釘匣移除固定釘鍊條。

7.4 更換鋼釘釘匣或固定釘導環（配件）

7.4.1 拆卸 9

警告

所有火藥都要從機具中卸下。所有的鋼釘必須自連發釘匣或固定導環移除。

注意

若機具剛使用過，握把部分可能非常燙。在機具降溫前，若維修操作員必須使用機具，請務必配戴手套。

1. 確認機具循環握把在開始位置。
2. 鬆開並卸下固定釘導環（或固定釘匣）。
3. 將活塞煞車從固定釘導環上卸下。

7.4.2 組裝 10

1. 從正確方向將活塞煞車插入適合機具的活塞導環（或固定釘匣）。
例外：使用HVB基座時，活塞擋環必須以正確方式插入（橡膠端朝前）。
2. 確認機具循環握把在開始位置。
3. 將正確的活塞插入機具的活塞導環。
4. 將固定釘導環（或固定釘匣）鎖緊在活塞導環上，隨後往回轉，直到互相咬合為止。
5. 用循環握把將機具循環一次。

7.5 使用單固定釘導環（配件）將固定釘栓入。

警告

檢查碎片檔板是否已安裝到機具上。

7.5.1 在單式固定器機具中插入固定釘 11

1. 轉動機具，使固定釘導環朝上。
2. 從上方將固定釘插入機具。

7.5.2 選擇火藥筒 3

1. 決定要固定的物體厚度，以及承載鋼板的等級。
2. 根據火藥筒建議選擇合適的火藥筒及火力設定。

附註 如需建議使用的火藥筒詳細資料，請參閱適用的許可說明或Hilti固定作業技術操作手冊。

7.5.3 插入火藥筒 4

將火藥筒推入機具側面上的火藥筒導軌，並推到底。

7.5.4 以單式固定器機具驅動固定釘

1. 以垂直於工作平面的角度抵住機具。
2. 以扳機擊發固定釘。
3. 將循環握把推向機具尾端，再往前推回原位，讓機具預備驅動下一個固定釘。

7.5.5 檢查並調整固定釘驅動深度 3 6

附註

旋轉機具上的驅動力調節輪，可調整固定釘的驅動深度。（設定1 = 最小；設定4 = 最大）

依照第7.2.5節「檢查並調整固定釘驅動深度」確認釘入的深度以及功率設定。

7.6 固定剪刀連接頭（需使用配件） 9 12

警告

檢查碎片檔板是否已安裝到機具上。

7.6.1 將固定釘插入HVB固定釘導環中

附註

這些操作說明亦適用於將第一個固定釘栓入剪刀連接頭。

附註

請注意，HVB固定釘導環配有活塞擋環（X-76-PS），但不含活塞煞車（X-76-PB-PTR）。

附註

因此，HVB基座無法防止被刺穿（無PTR功能）。

1. 依照第7.4節「更換鋼釘釘匣（或固定釘導環）」的操作說明安裝HVB固定釘導環。
2. 將滑動元件推到底，直到互相咬合且看見數字1。
3. 轉動機具，使固定釘導環朝上。
4. 將固定釘插入機具上方標示的開口處。

7.6.2 插入火藥筒

附註

固定HVB剪刀連接頭時，使用黑色火藥筒，或在某些情況下使用紅色火藥筒，可以獲得最佳效果。如需建議使用之火藥筒的詳細資料，請參閱適用的許可說明或Hilti固定作業技術操作手冊。

將火藥筒推入機具側面上的火藥筒導軌，並推到底。

7.6.3 使用HVB固定釘導環栓緊固定釘 13

1. 將剪刀連接頭安裝於基座上。它是由磁鐵固定的。
2. 以垂直於工作平面的角度抵住機具。
3. 以扳機擊發固定釘。
4. 將循環握把推向機具尾端，再往前推回原位，讓機具預備驅動下一個固定釘。

7.6.4 檢查並調整固定釘驅動深度 3 6

附註

旋轉機具上的驅動力調節輪，可調整固定釘的驅動深度。（設定1 = 最小；設定4 = 最大）

依照第7.2.5節「檢查並調整固定釘驅動深度」確認釘入的深度以及功率設定。

7.6.5 將固定釘插入第二個HVB固定釘導環中 14

附註

將第二個固定釘栓入剪刀連接頭時，這些操作說明亦適用。

1. 將滑動元件推到底，直到互相咬合且看見數字2。
2. 轉動機具，使固定釘導環朝上。
3. 將固定釘插入機具上方標示的開口處。

7.6.6 使用HVB固定釘導環栓緊固定釘 15

1. 將機具槍口插入剪刀連接器，並將機具以直角對著工作面施壓。
2. 以扳機擊發固定釘。
3. 將循環握把推向機具尾端，再往前推回原位，讓機具預備驅動下一個固定釘。

7.7 固定框架（需使用配件） 9 16

警告

檢查碎片檔板是否已安裝到機具上。

7.7.1 將固定釘置入框架固定釘導環中（F8）

1. 依照第7.4節「更換鋼釘釘匣（或固定釘導環）」的操作說明安裝框架固定釘導環。
2. 轉動機具，使固定釘導環朝上。
3. 從上方將固定釘插入機具。

7.7.2 插入火藥筒 4

將火藥筒推入機具側面上的火藥筒導軌，並推到底。

7.7.3 使用框架固定釘導環栓緊固定釘

1. 以垂直於工作平面的角度抵住機具。
2. 以扳機擊發固定釘。
3. 儘可能檢查固定釘深度以瞭解穿刺的深度。

4. 若使用凸緣，以5至8Nm的扭力將固定的凸緣栓入。
5. 將循環握把推向機具尾端，再往前推回原位，讓機具預備驅動下一個固定釘。

7.7.4 檢查並調整固定釘驅動深度 3 6

附註

旋轉機具上的驅動力調節輪，可調整固定釘的驅動深度。（設定1 = 最小；設定4 = 最大）

依照第7.2.5節「檢查並調整固定釘驅動深度」確認釘入的深度以及功率設定。

7.8 使用F10固定釘導環

警告

檢查碎片檔板是否已安裝到機具上。

利用與固定框架同樣的方式使用F10固定釘導環（第7.7節）。

7.9 將金屬表面的薄板固定在混凝土上（需使用DX-Kwik配件）

警告

檢查碎片檔板是否已安裝到機具上。

7.9.1 將固定釘插入至DX-Kwik固定釘導環中 9 17

1. 依照第7.4節「更換鋼釘釘匣（或固定釘導環）」的操作說明安裝DX-Kwik固定釘導環。

2. 轉動機具，使固定釘導環朝上。
3. 從上方將固定釘插入機具。

7.9.2 插入火藥筒

附註

若將金屬薄板固定於混凝土上，請使用藍色的火藥筒以獲得最佳的效果。如需建議使用的火藥筒詳細資料，請參閱適用的許可說明或Hilti固定作業技術操作手冊。

將火藥筒推入機具側面上的火藥筒導軌，並推到底。

7.9.3 使用DX-Kwik固定釘導環栓緊固定釘 18

1. 鑽孔穿過金屬薄板，使用階段式鑽頭鑽入混凝土中。
2. 將固定釘頂端（從固定釘導環露出）導入先前預鑽的小洞，並將機具以直角對著工作面施壓。
3. 以扳機擊發固定釘。
4. 將循環握把推向機具尾端，再往前推回原位，讓機具預備驅動下一個固定釘。

7.9.4 檢查並調整固定釘驅動深度 3 6

附註

旋轉機具上的驅動力調節輪，可調整固定釘的驅動深度。（設定1 = 最小；設定4 = 最大）

依照第7.2.5節「檢查並調整固定釘驅動深度」確認釘入的深度以及功率設定。

8. 維護和保養



注意

若在一般操作情況下使用此型號的機具，髒污和操作殘留物會在機具內部堆積，容易使功能相關之零件磨損。為確

保操作的可靠性，定期檢查和維修非常的重要。若機具使用頻繁，建議至少最遲在每驅動3,000枚固定釘後，每天檢查一次活塞和活塞煞車。

警告

所有火藥都要從機具中卸下。所有的鋼釘必須自連發釘匣或固定導環移除。

注意

機具使用時可能會變熱。可能會燙傷您的手。進行保養及維修工作時，請戴上防護手套。讓機具冷卻。

8.1 機具保養

定期使用微濕抹布清潔機具外部。

附註

請勿使用噴霧劑或蒸汽 / 噴水系統來清潔！通風槽阻塞時，切勿操作本機具。勿讓異物進入機具內部。

8.2 維護

定期檢查機具外部部件有無損壞，並檢查所有控制元件是否能正常運作。當部件損壞或控制元件無法正常作用時，請勿操作本機具。如有必要時，須將機具交付Hilti維修中心進行維修。

僅使用所建議的火藥和驅動力設定，配合機具使用。使用錯誤的火藥或過強的驅動力設定，可能會導致機具零件的壽命減短。

注意

DX機具內積存的髒污和殘留物可能對您的健康有害。進行清潔時勿吸入任何粉塵。讓食物與粉塵保持距離。機具清潔完畢請洗手。不可以潤滑油保養機具的任何零件。這可能會導致故障。僅能使用Hilti潤滑噴劑或同質產品。

8.2.1 檢查並更換活塞和活塞煞車

警告

所有火藥都要從機具中卸下。所有的鋼釘必須自連發釘匣或固定導環移除。

注意

若機具剛使用過，握把部分可能非常燙。在機具降溫前，若維修操作員必須使用機具，請務必配戴手套。

附註

重複擊發機具而不射出擠壓活塞和活塞煞車的固定釘，以免零件磨損。若活塞顯示有缺口而且 / 或活塞煞車的合成橡膠零件已嚴重磨損，則表示這些零件已達使用年限。

附註

活塞和活塞煞車的磨損情況應每隔一段時間，或至少每天確認一次。

附註

為了更換活塞和活塞煞車，請僅鬆開固定釘釘匣或固定釘導環。不需要卸下活塞導環。

1. 鬆開並卸下固定釘導環（或固定釘釘匣）。
2. 從活塞導環拉出活塞。
3. 檢查活塞是否損壞。若發現有損壞的徵兆，火塞和活塞煞車“二者”都必須更換。檢查活塞煞車的合成橡膠部件是否有磨損。

附註 在平滑面上滾動活塞，確認其是否彎曲。嚴禁使用磨損或受損的活塞，並請勿試圖仿造或修改活塞。

附註 若活塞煞車的上環可以輕易地朝下環轉動，表示活塞煞車已經磨損且必須更換。

4. 若要更換活塞，請從固定釘導環卸下活塞煞車。
5. 從正確方向將新的活塞煞車插入適合機具的固定釘導環（或固定釘釘匣）。

附註 將Hilti潤滑噴霧劑噴灑於活塞煞車的開口處。

附註 HVB固定釘導環配有活塞擋環，而非活塞煞車。

6. 將活塞插入機具的活塞導環。
7. 將固定釘導環（或固定釘釘匣）鎖緊在活塞導環上，隨後往回轉，直到互相咬合為止。
8. 用循環握把循環機具一次。

8.2.2 清理活塞導環 9 19 20 21 22

警告

所有火藥都要從機具中卸下。所有的鋼釘必須自連發釘匣或固定導環移除。

注意

若機具剛使用過，握把部分可能非常燙。在機具降溫前，若維修操作員必須使用機具，請務必配戴手套。

- zh
1. 確認機具循環握把在開始位置。
 2. 鬆開並卸下鋼釘釘匣（或固定釘導環）。
 3. 卸下活塞導環上的活塞，並卸下鋼釘釘匣（或固定釘導環）上的活塞煞車。
 4. **注意** 必須將機具活塞導環朝向前方握住機具，否則活塞導環可能會掉落。
打開活塞導環釋放機柄。
 5. 從機具拉出活塞導環。
附註 不需要再拆下活塞導環。
 6. 清潔機具的整組活塞導環。
 7. 使用大刷子清潔活塞導環內外。
 8. 使用小圓刷清潔調節鑽針的內腔，然後使用錐形刷清潔火藥室。

9. 將Hilti噴霧劑噴灑於滑動元件和活塞導環凹槽。
10. 將Hilti潤滑噴霧劑噴灑於機具內部的鋼材零件。
附註 使用非Hilti噴霧劑的其他潤滑產品，可能導致橡膠部分損壞。
11. 確認機具循環握把在開始位置。
12. 將活塞導環插入機具。
13. 輕壓活塞導環。
附註 唯有活塞導環壓入（數mm深）機具時，才能關閉機柄。若還是無法關閉機柄，請參考第9章“故障排除”的資訊。
14. 輕壓活塞導環以關閉活塞釋放機柄。
15. 將活塞插入活塞導環中。
16. 安裝活塞煞車。
17. 將固定釘導環（或固定釘匣）鎖緊在活塞導環上，隨後往回轉，直到互相咬合為止。
18. 在循環握把後方外殼中的溝槽噴上Hilti潤滑劑，以潤滑火藥筒傳送機制。
19. 用循環握把循環機具一次。

8.3 維護及保養後的檢查


機具在維護和保養後，並在裝上火藥前，檢測是否已安裝所有保護設備以及功能正常運行。


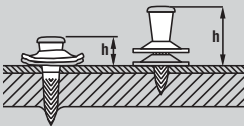

9. 故障排除

警告

在採取任何故障排除的步驟前，必須先卸下機具的釘匣和火藥等。

故障	可能原因	故障排除
火藥沒有被傳送。	火藥筒損壞。	更換火藥筒。 參閱章節：7.3.1 從機具移除火藥 7
	機具受損。	請與Hilti聯繫。

故障	可能原因	故障排除
火藥筒無法卸下。	因固定釘驅動速率過高導致機具受損或過熱。	先讓機具降溫，再小心試著卸下火藥筒。將機具導環從機具上卸下。若火藥筒套環塞住火藥室，使用清潔工具組中的圓形桿來清除。若還是行不通，請聯絡Hilti。 附註 請勿試圖用蠻力將火藥筒從連發螺釘帶或機具中卸下。
火藥沒有點火。	機具沒有對著工作面完全施壓。	將機具對著工作面完全施壓並扣扳機。
	火藥筒用完。	卸下用過的火藥筒。裝上新的火藥筒。
	釘匣或固定釘導環鎖得不夠緊。	再將釘匣鎖在機具上。
	其中一個火藥有問題。	循環機具並把剩餘的火藥用完。
	機具有缺陷或火藥有問題。	請與Hilti聯繫。
固定釘釘入太深（固定釘露出程度不足）。	機具無法循環。	循環機具。
	固定釘錯過了鋼板雷射光束。	標示雷射光束的位置。驅動另一個固定釘釘入雷射光束。
	在薄片與適用物體間有空隙。	確認薄片其他部分緊貼適用物體。
	活塞的匹配錯誤。	確認所使用的活塞和固定釘組合正確。X-ENP固定釘使用X-76-P-ENP-PTR活塞。ENP2K固定釘使用X-76-P-ENP2K-PTR活塞。

故障	可能原因	故障排除
固定釘釘入不夠深 (超過固定釘露出程度) 。 	固定釘被釘入雷射光束的螺紋組織中。	驅動第二枚固定釘。
	適用物體的厚度已改變。	根據建議增加固定釘驅動力，或使用威力較強的火藥。 參閱章節：?? ??
	固定釘驅動力太小。	根據建議增加固定釘驅動力，或使用威力較強的火藥。 參閱章節：?? ??
	機具需要清理。	清潔機具。
	活塞破損。 機具受損。 活塞的匹配錯誤。	更換活塞和活塞煞車。 請與Hilti聯繫。 確認所使用的活塞和固定釘組合正確。X-ENP固定釘使用X-76-P-ENP-PTR活塞。ENP2K固定釘使用X-76-P-ENP2K-PTR綠色記號活塞。
固定釘露出程度 (釘頭突出) 改變過大。 	機具抵住工作表面時帶有震動。	將機具平穩地對著工作面完全施壓並避免震動。
	機具循環不穩定，有時也不完全。	完全循環機具。
	驅動力異常。	清潔機具。更換磨損零件。若驅動力還是異常，請聯絡Hilti。
剪刀破損。 	活塞面磨損或有缺口。 固定釘被釘入雷射光束的螺紋組織中。 以特定角度將機具抵住工作表面。 增加適用物體的厚度。	更換活塞和活塞煞車。 在第一枚驅動釘旁，驅動第二枚固定釘。 以垂直於工作平面的角度抵住機具。 確認所使用的固定釘之設備型號符合建議型號。若所使用的固定釘型號正確，根據所建議的火藥筒來增加驅動力，或使用威力更強的火藥筒。

故障	可能原因	故障排除
機具仍處於壓縮狀態 (在釋壓時無法展開)。	活塞卡在活塞煞車內。	更換活塞和活塞煞車。 參閱章節：7.4.1 拆卸 9 參閱章節：7.4.2 組裝 10
	機具需要清理。	參閱章節：8.2.2 清理活塞導環 9 19 20 21 22
	火藥筒已阻塞，機具已過熱。	請參照錯誤訊息：“火藥筒無法卸下”。請勿使用比建議的最大值更快的固定釘驅動速率。
機具不能擊發。	機具無法正確循環，循環握把不在開始位置。	完全循環機具並讓循環握把回到開始位置。
	先扣下扳機，才將機具槍口完全對著工作面施壓。	將機具對著工作面完全施壓然後扣扳機。
	固定釘傳送故障	參閱章節：7.2.1 在釘匣中載入固定釘鍊條 2 參閱章節：7.3.2 將固定釘鍊條從機具上卸下 8
	釘匣或固定釘導環鎖得不夠緊。	再將釘匣鎖在機具上。
	機具受損。	請與Hilti聯繫。
沒有固定釘被驅動。	機具無法正確循環，循環握把不在開始位置。	完全循環機具並讓循環握把回到開始位置。
	機具內沒有固定釘。	在機具內裝上固定釘 (一或數枚)。
	釘匣固定釘傳送機制錯誤。	請與Hilti聯繫。
	機具內沒有活塞。	活塞符合比對。
	活塞破損。	更換活塞和活塞煞車。
	活塞無法回到開始位置。	請與Hilti聯繫。
	固定釘導環需要清理。	使用所提供的刷子清潔固定釘導環和相關零件。 用Hilti噴霧劑潤滑。

故障	可能原因	故障排除
沒有固定釘被驅動。	固定釘塞在固定釘導環內。	卸下塞住的固定釘。將連發螺釘帶自機具釘匣移除。避免剪刀破損（參照前面）。避免錯過雷射光束（驅動固定釘釘入不適用的金屬面板）；若有需要，請精確標示雷射光束的位置。
固定釘導環無法完全鎖上機具。	活塞導環的螺紋部分需要清理。	清理並潤滑螺紋。
活塞不能安裝。	機具，或活塞導環（尤其），需要清理。 可在活塞導環內看見鑽針。	清理固定釘導環和機具，並重覆比對活塞的。 向前拉出鑽針直到可以咬合。
活塞導環不能安裝。	機柄在關閉的位置上。 活塞導環位置錯誤。	參閱章節：8.2.2 清理活塞導環 9 19 20 21 22 參閱章節：8.2.2 清理活塞導環 9 19 20 21 22
不流暢的循環動作。	機具需要清理。 活塞和活塞煞車幾乎已達維修年限。 機具受損。	清潔機具。 參閱章節：8.2.2 清理活塞導環 9 19 20 21 22 更換活塞和活塞煞車。 請與Hilti聯繫。

10. 廢棄機具處置



Hilti機具或設備所採用的材料，大部分都可回收利用。回收前，必須先將材料正確分類。Hilti在許多國家中，已為回收舊機具及舊設備，做了妥善安排。詳情請洽Hilti客戶服務中心，或當地Hilti代理商。使用者若欲自行將機具交給環保回收機構，請遵守相關的地方和國際法律和規定。

依下述方法分解各零件：

零件 / 組裝件	主要材質	回收方式
Hilti工具箱	塑膠	可回收塑膠
機具外殼	塑膠/合成橡膠	可回收塑膠

零件 / 組裝件	主要材質	回收方式
活塞	鋼材	廢舊金屬
活塞煞車	鋼材/塑膠	廢舊金屬
螺絲、小零件	鋼材	廢舊金屬
使用過 / 部分用過的 火藥筒	鋼材/塑膠	依照當地法規

11. 製造商保固 - 機具

Hilti保證所供應之機具無論在材料上或製造上均無瑕疵。只要以正確的方式操作並處置機具、適當地清潔與維修、遵守Hilti的操作說明，並維護技術系統，本保固即為有效。這表示，在此機具中只可使用Hilti原廠耗材、組件及備件，或其他同品質產品。

此保固僅能提供該機具整個使用壽命期間免費修復或更換零件服務。正常磨損、損耗所造成的零件維修或更換不在保固範圍內。

除非當地國家法規嚴格禁止，不接受禁止額外賠償條例之設立，否則不予考慮額外賠償的要求。尤其，Hilti對於任何與機具在任何用途上之使用或無法使用所造成或有關之直接、間接、偶發或後續損害、損失或費用不負賠償責任。尤其明確排除關於機具之適售性或其特定用途上之適用性的默示擔保。

發現產品有瑕疵時，請立即將機具或相關零件送至當地Hilti行銷機關修理或替換。

本條款為Hilti所有的保固責任，並取代先前或同時期就保固責任所達成的註解及口頭或書面協議。

12. 歐規符合聲明

產品名稱：	直接固定機具
型號：	DX 76 PTR
製造年份：	2005

本公司在此聲明，我們的唯一責任在於本產品符合下列指示或標準：
2006/42/EC。

Hilti Corporation



Norbert Wohlwend
Head of Quality & Processes
Management
BU Direct Fastening
10 2010



Raimund Zaggl
Senior Vice President
BU Direct Fastening
10 2010

13. CIP測試確認

Hilti DX 76 PTR已通過系統和設備型號測試。因此，機具獲得矩形的PTB認證標章，上有認證編號S 816。因此Hilti保證符合認證的設備型號之規定。在機

具使用期間發現的不合意瑕疵或缺陷等情形，必須向認證單位 (PTB) 負責人員，和常設國際委員會 (C.I.P.) 的辦公室通報。

14. 操作員的健康及安全

14.1 噪音資訊：

火藥擊釘固定機具

類型	DX 76 PTR
型號	系列
口徑：	6.8/18藍色
動力調節	4
應用	以X-ENP 19 L15MX固定至8 mm鋼材 (400 MPa)

註明及測量之噪音值符合ISO 4871:1996

噪音 (動力) 等級， $L_{WA, 1S}$	114 dB (A)
測量不確定性：， K_{WA}	2 dB
工作場所之音壓級數 (每日固定次數1000次)， L_{pAeq}	94 dB (A)
測量不確定性：， K_{pA}	2 dB
音壓外洩， $L_{pC, 峰值}$	139 dB (C)
測量不確定性：， K_{pC}	2 dB

噪音值係依照EN 15895-1中的噪音測量操作說明判定，其基準為根據EN ISO 3744:1995及EN ISO 11204:1995之標準。

注意：量測的噪音外洩值及其對應的不確定性，為測量時可能產生之噪音值的較高臨界值。

改變操作條件可能造成噪音值偏差。

14.2 震動

依據2006/42/EC的總震動不超過2.5 m/s²。

如需其他更進一步使用者健康及安全資訊，請造訪www.hilti.com/hse。

HILTI

Hilti Corporation

LI-9494 Schaan

Tel.: +423 / 234 21 11

Fax: +423 / 234 29 65

www.hilti.com



388179