

Firestop silicone joint spray CFS-SP SIL



Applications

- Sealing building perimeter gaps between floor slabs and exterior curtain wall facades

Advantages

- A fast-curing spray coating with a short tack-free time
- Excellent sprayability and low slump characteristics
- Quick and easy installation with Graco Ultra Max II 595 and 695 sprayers – can help save you time and money



Technical data

Base materials	Concrete, Masonry, Gypsum, Metal, Steel, Glass
Chemical basis	Neutral cross-linking silicone
Approx. curing time¹⁾	2 mm / 5 h
Movement	±12.5% (ISO 11600)
Acoustics performance	Test report available
Shelf life²⁾	12 months
Application temperature range	4 - 40 °C
Temperature resistance range	-35 - 120 °C
Storage and transportation temperature range	4 - 25 °C
Colour	Off-white
Complementary products	Mineral wool
LEED VOC	72 g/l

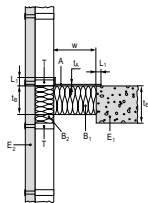
¹⁾ at 75 °F / 24 °C, 50% relative humidity

²⁾ at 77 °F / 25 °C and 50% relative humidity; from date of manufacture



Order description	Sales pack quantity	Item number
CFS-SP SIL	1 pc	2095007

General information



Perimeter seal installation specifics

Hilti Firestop Joint Spray CFS-SP SIL (A) has to be applied with a $t_A = 3\text{-}5$ mm wet film thickness, resulting in ca. 2 mm dry film thickness. Hilti Firestop Joint Spray CFS-SP SIL (A) should overlap on floor construction and curtain wall (L1) at minimum 15 mm. As backfilling material, a mineral wool product (B) as specified in Annex A.1.2 should be taken. This mineral wool has to be compressed in the A-A direction by $\geq 33\%$ during installation in a depth $t_B \geq 150$ mm. Splice distance has to be ≥ 1000 mm. The thickness of the mineral wool slab should be such as to result in the application of a minimum number of layers; a maximum number of 3 layers is considered acceptable. Nominal joint width (w): 10 to 150 mm; Movement capability: max. $\pm 12.5\%$;" [Link to ETA 17/0082](#)

Partition	Rigid floor
Base material thickness (t_e)	≥ 150 mm
Density	≥ 2400 kg/m ³
Joint / Gap width (min.-max.)	10 - 15 mm
Backfilling	Mineral wool of density ≥ 60 kg / m ³ > 33% compressed
Material thickness	3 - 5 mm wet film (\Leftrightarrow ~2 mm dry film)
Application	Joint between curtain wall and rigid floor slab

Main approved applications

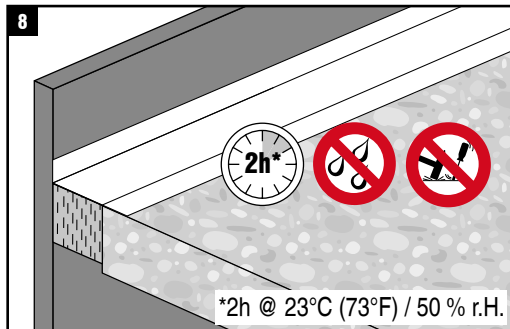
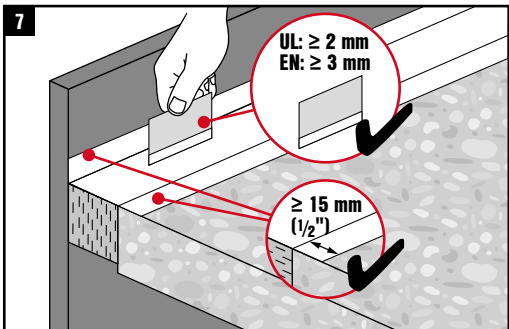
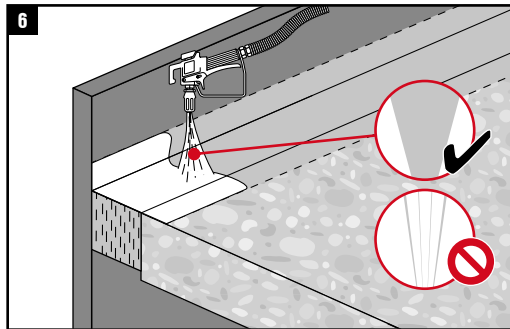
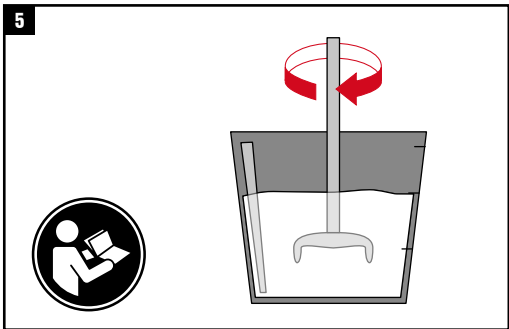
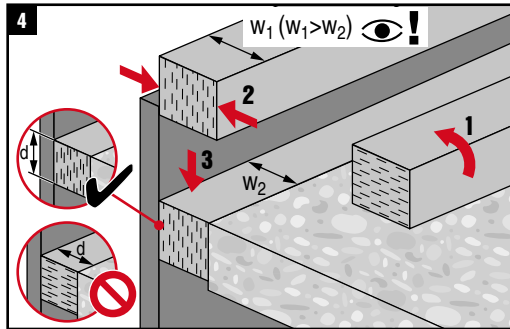
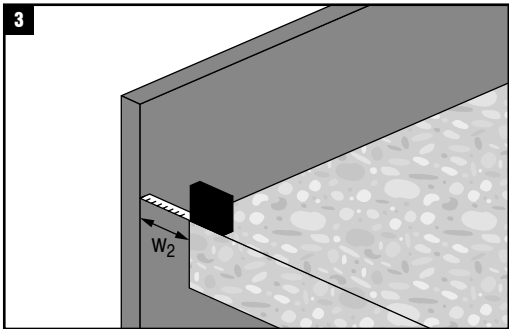
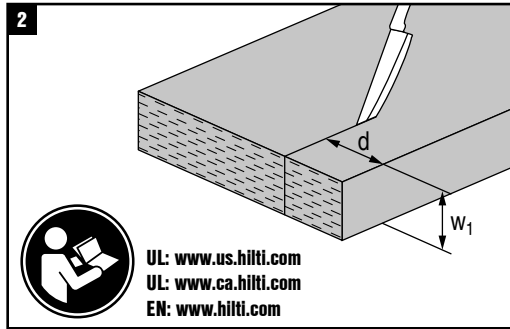
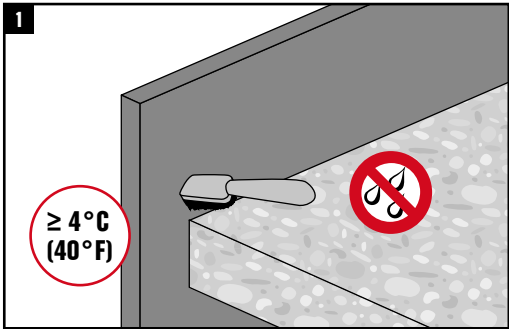
Excerpt of ETA document. Check the exact field of application for each joint types in the ETA 11/0343 document.



	Joint type	Joint width	Movement capability	Backfilling thickness	Rigid floor / walls ≥ 150 mm
CW	Joint between rigid floor and curtain walling	10 - 150 mm	$\pm 12.5\%$	≥ 100 mm	EI 180

General instructions for use

2095034 A1-11.2015



Consumption guide (per 19L bucket)

Joint width (mm)	Joint length in m per bucket*
6	150
10	130
20	110
50	65
100	40
150	30
200	20

*approximate values with 15 mm overlap on both sides of joint, based on 3 - 5 mm wet film thickness.