



APPLICATION:

Combustible Plastic Pipe ($d \leq 125\text{mm}$)

ID:

CFS-FS: 03

INFORMATION:

- Not to scale
- All units are in millimetres
- Tested according EN 1366-3
- Classification No. 23581B

CFS-FS M Flexible Seal w/ CFS-B

REV:

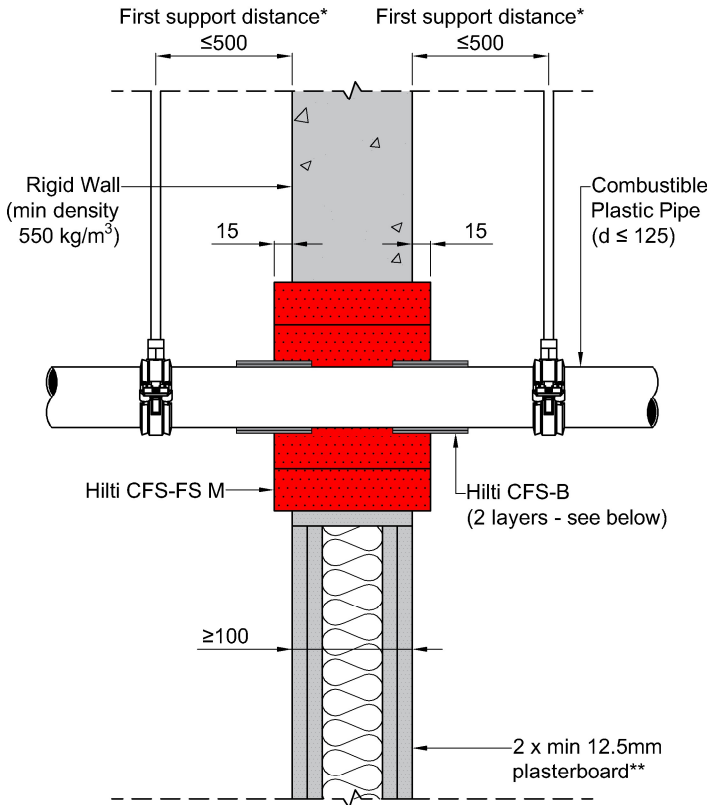
DATE:

02

02/2025

Fire Rating up to EI 60

Page 1/1



Acoustics rating: $R_w = 50$

Maximum opening dimensions: 1200x500mm. For blank openings see approval documents.

*First support and ancillary products should be capable of achieving the same fire performance as the seal and supporting structure.

**Comprising timber or steel studs. Wall construction itself has been classified according to EN 13501-2.

Combustible Plastic Pipe ($d \leq 125$)

Material	Diameter (Range of Wall Thickness) [mm]	Addn. Protection on Combustible Plastic Pipe	Classification
Combustible Plastic Pipe	$32 (1.8/9.3) \leq d \leq 110 (2.7/9.3)$	2 Layers of Hilti CFS-B	EI 60 (C/U)
	$110 (2.7/9.3) \leq d \leq 125 (3.0/9.3)$	2 Layers of Hilti CFS-B	

The following pipe types are included:

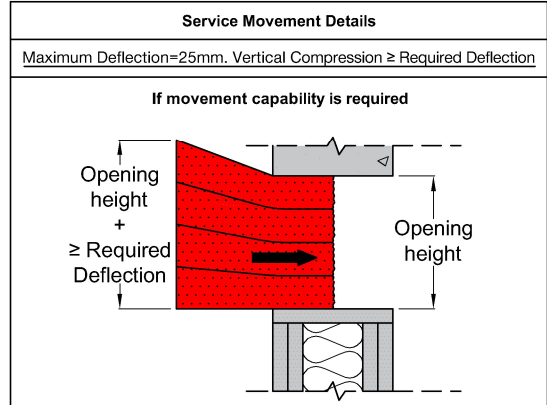
-PVC-U in accordance with EN 1329-1, EN1453-1, EN ISO 15493, and EN ISO 1452-2 as well as pipes made of PVC-C in accordance with EN 1566-1, EN ISO 15493 and EN ISO 15877-2

-PE in accordance with EN 12201-2, EN 1519-1, EN ISO 15494 and EN 12666-1

-ABS in accordance with EN 1455-1 and EN ISO 15493

-SAN+PVC in accordance with ISO 19220

-PP in accordance with EN 1451-1 (solid wall pipes), EN ISO 15874, EN ISO 15494 but not for multilayer plastic pipes made of PP

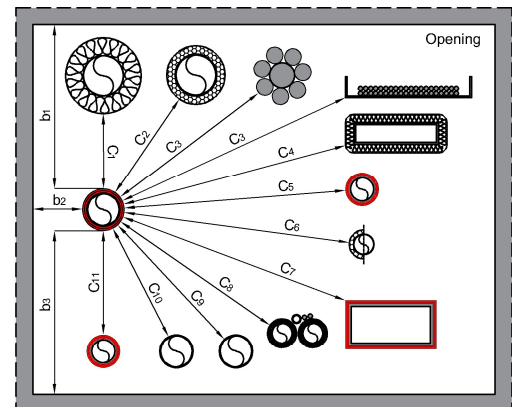


Ref.	Service Type (See service standard detail for more specific information)	Distance (mm) [†]
b_1	To top of opening	$\geq 70^{\dagger\dagger}$
b_2	To side of opening	$\geq 0^{\dagger\dagger}$
b_3	To bottom of opening	$\geq 35^{\dagger\dagger}$
C_1	To metal pipe w/ mineral wool insulation	≥ 0
C_2	To metal pipe w/ combustible insulation	≥ 30
C_3	To cables/cable bundles/cable carriers/conduit w/o addn. Protection	$\geq 30^{\dagger\dagger\dagger}$
C_4	To cable trunking w/ mineral wool insulation	≥ 0
C_5	To combustible plastic pipe w/ Hilti CFS-B	≥ 0
C_6	To MLC (Aluminium composite) pipe w/ or w/o insulation	≥ 30
C_7	To rectangular PVC Duct w/ Hilti CFS-B	≥ 0
C_8	To KlimaSplit bundle	≥ 50
C_9	To CPVC or TracPipe®	≥ 30
C_{10}	To combustible plastic pipe w/o addn. protection	≥ 50
C_{11}	To conduit w/ Hilti CFS-B	≥ 0

[†]All distance values can be horizontal, vertical or diagonal.

^{††} $b_1, b_2, b_3 = 0\text{mm}$ if no movement is required.

^{†††}For cables $d > 21\text{mm}$, a min distance of 100mm from other services is required.



- The application limits on this detail are for guidance purposes only. For more detailed information based on the full range of available test results please contact the Hilti Technical Advisory Service.
- The product and application has been assessed as a minimum to the BS 476 standard. It may have additional European and worldwide testing. Please contact Hilti for further information.
- All installations should be carried out in accordance with Hilti's installation instructions and by competent & experienced installers using Hilti branded products.
- All services are to be correctly and adequately supported to prevent collapse and distortion.

Hilti (Gt. Britain) Limited | No 1, Circle Square | 3 Symphony Park | Manchester | M1 7FS

Freephone: 0800 886 100 | Website: www.hilti.co.uk

LEGAL NOTICE: This template contains Hilti Intellectual Property which is legally protected, including Community registration of Hilti trademarks. For use only by Hilti customers and in conjunction with Hilti products. No third party use/products is authorised and breaches Hilti's intellectual property rights. Hilti accepts no responsibility for unauthorized use and reserves all rights to take legal action to enforce its rights in law.