

3.4 MI Components, Allowable Load Data and Specifications

MIC-90-L Cantilever connector¹

Material Specifications

Material	S235 JRG2 (DIN 10025) ASTM A1011 (34)
Galvanizing	Hot-dip galvanized 2.2 mils (55 µm) DIN EN ISO 1461, ASTM A153

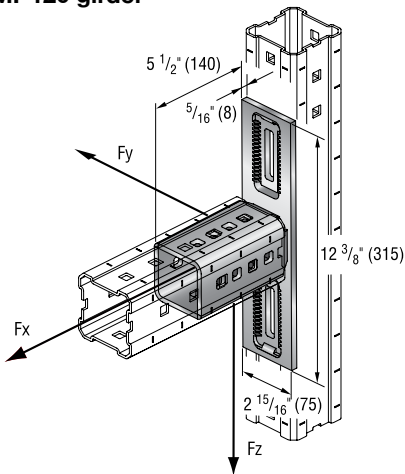
Ordering Information

Description	For Girder Type	Weight Per Set lb (kg)	Qty	Item No.
MIC-90-L	MI-90	8.7 (3.9)	2	00304805



Technical Data

MIC-90-L on MI-90 or MI-120 girder²



Allowable loads for MIC-90-L on girders MI-90 or 120

± Fx (lb)	± Fy (lb)	± Fz (lb)	± Mx (ft-lb)	± My (ft-lb)	± Mz (ft-lb)
+1645/-3365	3280	3980	1180	825	125

- 1 Connector designed to resist moments.
- 2 When mounting to 120 mm width, of MI-120 girder, order separately bolt MIA-EH-120, item 304888.

