

3.4 MI Components, Allowable Load Data and Specifications

MIC-UB90 U-bolt clamps for uninsulated pipes and conduits

Material Specifications

Material	S235 JRG2 (DIN 10025), ASTM A1011 (34)
Galvanizing	Hot-dip galvanized 2.2 mils (55 µm) DIN EN ISO 1461, ASTM A153
Connecting screws	M12 (connection to MI-girder) see 3.4.15

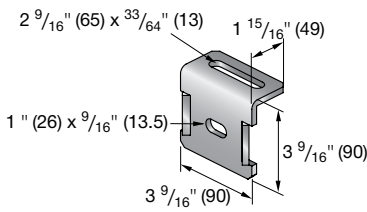


Ordering Information

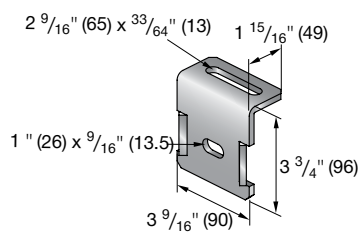
Description	For Girder Type	Weight Per Set lb (kg)	Diameter U-Bolt	Qty	Item No.
MIC-UB90 ①	MI-90	2.7 (1.2)	≤ 1/2"	10 pairs	304831
MIC-UB120 ②	MI-120	3.0 (1.3)	≤ 1/2"	10 pairs	304833
MIC-UB90-M16 ③	MI-90	2.7 (1.2)	5/8"	6 pairs	304834
MIC-UB120-M16 ④	MI-120	2.9 (1.3)	5/8"	6 pairs	304835

Technical Data

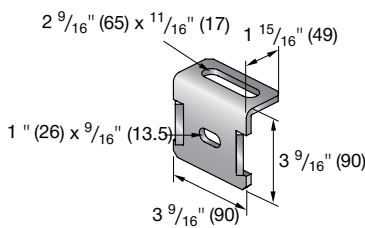
for MI-90 ①



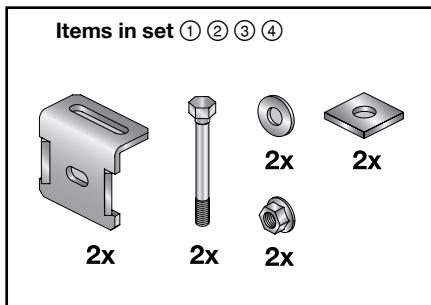
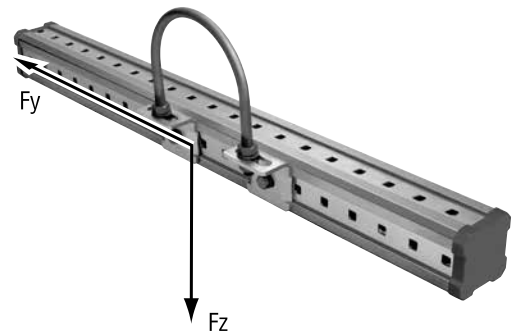
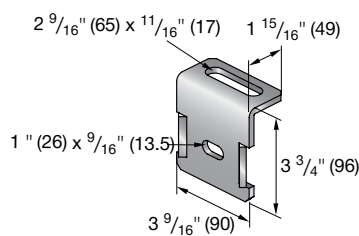
for MI-120 ②



for MI-90 ③



for MI-120 ④



Allowable loads^{1,2}

Loading: ① ② ③ ④	± Fy (lb)	± Fx (lb)	- Fz (lb)
Fy or Fz	786	-	405

1 Values apply to one pair, must be used in pairs
2 U-bolt sold separately