

3.4 MI Components, Allowable Load Data and Specifications

MIC-T Pedestal connector

Material Specifications

Material	S235 JRG2 (DIN 10025) ASTM A1011 (34)
Galvanizing	Hot-dip galvanized 2.2 mils (55 µm) DIN EN ISO 1461, ASTM A153

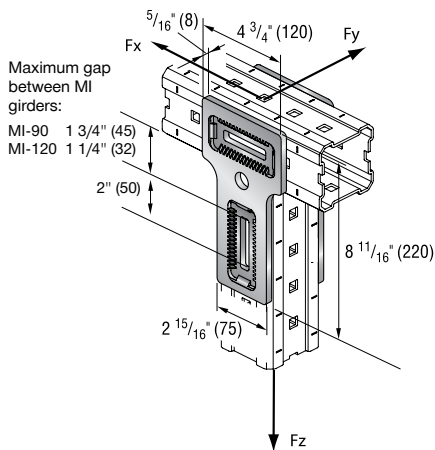


Ordering Information

Description	For Girder Type	Weight Per Set lb (kg)	Qty	Item No.
MIC-T	MI-90/MI-120	4.4 (2.0)	2 ¹	304807

Technical Data

MIC-T² on MI-90 or MI-120



Allowable loads² for MIC-T on girders MI-90 or 120

± Fx (lb)	± Fy (lb)	± Fz (lb)	± Mx (ft-lb)	± My (ft-lb)	± Mz (ft-lb)
1430	1235	3980	0	785	0

- 1 Two sets per sales package.
- 2 MIC-T connector must be used in pairs (on opposite sides of the girder).

