

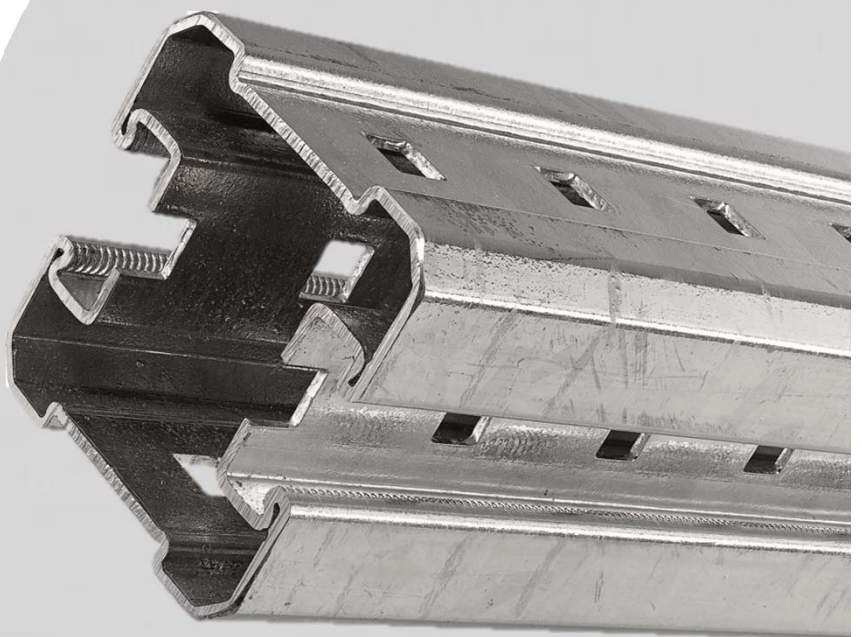


MIQM-M12

2120275

Hilti North America
Installation Technical Manual
Technical Data
MIQ System

Version 1.0 06.2017



Terms of common cooperation / Legal disclaimer

The product technical data published in these Technical Data Sheets are only valid for the mentioned codes or technical data generation methods and the defined application conditions (e.g. ambient temperature load capacity not valid in case of fire, data not valid in support structures when mixed with third party products, values only apply to static loading conditions). Technical data applies to the component only -- suitability and capacity of all other components must be checked separately by the responsible engineer (e.g., other assembly components, attachments, base materials, and building structures).

Suitability of structures combining different products for specific applications needs to be verified by conducting a system design and calculation, using for example Hilti PROFIS software. In addition, it is crucial to fully respect the Instructions for Use and to assure clean, unaltered and undamaged state of all products at any time in order to achieve optimum performance (e.g. avoid misuse, modification, overload, corrosion).

As products but also technical data generation methodologies evolve over time, technical data might change at any time without prior notice. We recommend to use the latest technical data sheets published by Hilti.

In any case the suitability of structures combining different products for specific applications need to be checked and cleared by an expert, particularly with regard to compliance with applicable norms, codes, and project specific requirements, prior to using them for any specific facility. This book only serves as an aid to interpret the capacity of the components listed, without any guarantee as to the absence of errors, the correctness and the relevance of the results or suitability for a specific application. User must take all necessary and reasonable steps to prevent or limit damage. The suitability of structures combining different products for specific applications need to be confirmed with a professional designer and/or structural engineers to ensure compliance with User's specific jurisdiction and project requirements.

MIQM-M12 wing nut

Designation	Item number
MIQM-M12	2120275

Corrosion protection:

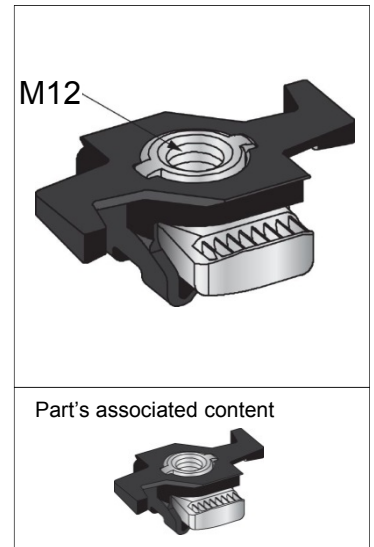
Hot dipped galvanized per ASTM A153/A 153M-09
 Wing nut: 2.1 mils (53 μm)

Weight:

0.09lb (39g) incl. all components

Description:

The Hilti Wing nut is a simple part to connect the MIQ girder with construction elements. The wingnut can be inserted at any point along the MIQ girder and allows for a flush connection. The flexible wings makes it easy to hold the part in place during installation.



Material properties

Material

Nut :
 C4C DIN EN 10263-2

Ultimate strength

$f_u = 43.5 \text{ ksi } (300 \frac{\text{N}}{\text{mm}^2})$

E-modulus

29000 ksi ($200000 \frac{\text{N}}{\text{mm}^2}$)

Shear modulus

11000 ksi ($75845 \frac{\text{N}}{\text{mm}^2}$)

MIQM 1x
MIQ 1x

1

2

90°

3

SW 8.8
min (t+L)
T_{Inst}

✓
✗

	SW 8.8	T _{Inst}	L
M10	17 mm	40 Nm (30 ft-lb)	11 mm
M12	19 mm	84 Nm (62 ft-lb)	16 mm
M16	24 mm	84 Nm (62 ft-lb)	16 mm
1/2"	3/4"	62 ft-lb (84 Nm)	5/8"
3/8"	9/16"	30 ft-lb (40 Nm)	5/8"

MIQM-M12 wing nut

Approved loading cases		
Single	Double	

Governing Conditions

Methodology:

Connection strength values are determined by a combination of simulation (ANSYS), calculation (Microsoft Excel and Mathcad) and lab testing.

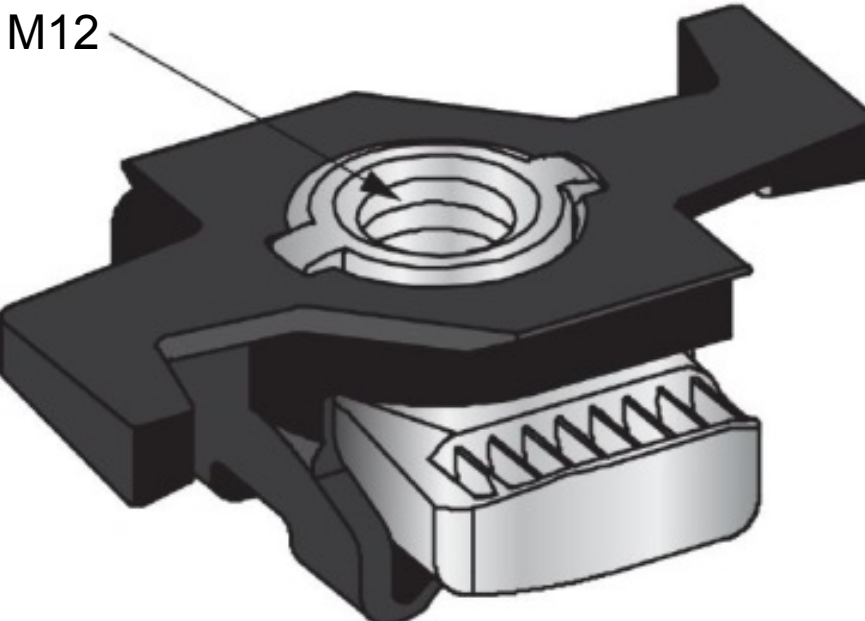
Standards and codes:

- ANSI/AISC 360-10 Specification for Structural Steel Buildings
- ANSI/AISC 360-10
– Appendix 1 Inelastic analysis
- AISI S100-2007/2010 North American Specification for the Design of cold formed Steel Structural Members
- EN 1993-1-1 Eurocode 3: Design of steel structures – Part 1-1: General rules and rules for buildings
- EN 1993-1-8 Eurocode 3: Design of steel structures – Part 1-8: Design of joints
- EN 10025-2 Hot rolled products of structural steels- Part 2: technical delivery conditions for non-alloy structural steels

Validity:

Temperature limits: -22°F (-30°C) to 200°F (+93°C).

Published allowable loads for applications are based on static loading conditions. Non-static forces, including those resulting from thermal or other expansion must be taken into account during design.



MIQM-M12 wing nut

Approved loading cases		
Single	Double	
Loading case: Standard		Combinations covered by loading case
Bill of Material for this loading case: For connection on MIQ-90 girder 1x MIQM-M12 wing nut 2120275 Associated channel MIQ-90 3m 2119866 MIQ-90 6m 2129867		Wing nut M12 used for connecting connectors or equipment into MIQ girder

Usage of Values for Design Strength and Allowable Strength

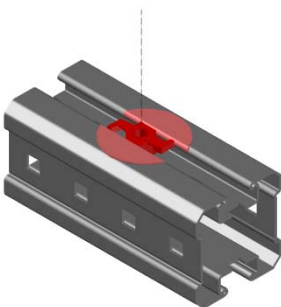
The Design Strength and Allowable Strength tables on the following pages include strength reduction factors:

1. **ASD:** Safety Factor (ω) > 1.0 as per AISC specifications.
2. **LRFD:** Strength Reduction Factor (ϕ) < 1.0 as per AISC specifications. $\Omega = \frac{1.5}{\phi}$ (Reference AISC 360 C-B3-5)

Factored loads are required for input to the given interaction equations. Factored loads are the responsibility of the user. Factored loads are noted as P, V and M

Limiting components of capacity evaluated in following tables:

1. Connection system, including wing nut and affected portion of MIQ-90 girder, per FEA simulation



MIQM-M12 wing nut

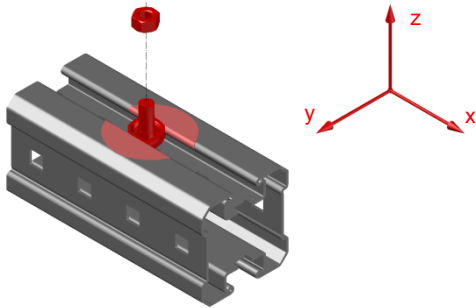
Approved loading cases		
Single	Double	

Values for Design Strength and Allowable Strength

1/1

NOTE: Calculate interaction separately for each group only using values from that group. Limiter is defined by highest interaction. Use absolute values. Values refer to the coordinate system shown.

1. Connection system, including wing nut and affected portion of MIQ-90 girder, per FEA simulation



LRFD*	+Fx	-Fx	+Fy	-Fy	+Fz	-Fz
	[kip]	[kip]	[kip]	[kip]	[kip]	[kip]
	1.06	1.06	0.00	0.00	2.58	2.58
ASD*	+Mx	-Mx	+My	-My	+Mz	-Mz
	[kip*ft]	[kip*ft]	[kip*ft]	[kip*ft]	[kip*ft]	[kip*ft]
	0.00	0.00	0.00	0.00	0.00	0.00

Interaction for LRFD

$$\frac{P_{ux}}{F_x} + \frac{V_{uy}}{F_y} + \frac{V_{uz}}{F_z} + \frac{M_{ux}}{M_x} + \frac{M_{uy}}{M_y} + \frac{M_{uz}}{M_z} \leq 1,00$$

Interaction for ASD:

$$\frac{P_{ax}}{F_x} + \frac{V_{ay}}{F_y} + \frac{V_{az}}{F_z} + \frac{M_{ax}}{M_x} + \frac{M_{ay}}{M_y} + \frac{M_{az}}{M_z} \leq 1,00$$

*Values already include LRFD strength reduction (Φ) or ASD safety (Ω) factors in accordance with AISI, and are based on nominal geometry.

MIQM-M12 wing nut

Approved loading cases		
Single	Double	

Loading case: Standard	Combinations covered by loading case
<p>Bill of Material for this loading case: For connection on MIQ-90 girder 2x MIQM-M12 wing nut 2120275</p> <p>Associated channel MIQ-90 3m 2119866 MIQ-90 6m 2129867</p>	<p>Wing nut M12 used for connecting connectors or equipment into MIQ girder</p>

Usage of Values for Design Strength and Allowable Strength

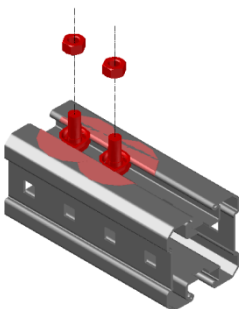
The Design Strength and Allowable Strength tables on the following pages include strength reduction factors:

- ASD:** Safety Factor (ω) > 1.0 as per AISC specifications.
- LRFD:** Strength Reduction Factor (ϕ) < 1.0 as per AISC specifications. $\Omega = \frac{1.5}{\phi}$ (Reference AISC 360 C-B3-5)

Factored loads are required for input to the given interaction equations. Factored loads are the responsibility of the user. Factored loads are noted as P, V and M

Limiting components of capacity evaluated in following tables:

- Connection system, including 2x wing nut, nut and affected portion of MIQ-90 girder, per FEA simulation



MIQM-M12 wing nut

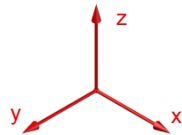
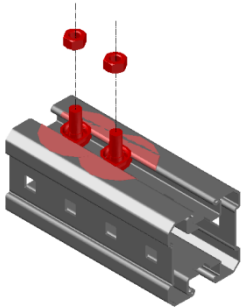
Approved loading cases		
Single	Double	

Values for Design Strength and Allowable Strength

1/1

NOTE: Calculate interaction separately for each group only using values from that group. Limiter is defined by highest interaction. Use absolute values. Values refer to the coordinate system shown.

1. Connection system, including 2x wing nut, nut and affected portion of MIQ-90 girder, per FEA simulation



LRFD*	+Fx	-Fx	+Fy	-Fy	+Fz	-Fz
	[kip]	[kip]	[kip]	[kip]	[kip]	[kip]
	1.91	1.91	0.00	0.00	5.16	5.16
	+Mx	-Mx	+My	-My	+Mz	-Mz
[kip*ft]	[kip*ft]	[kip*ft]	[kip*ft]	[kip*ft]	[kip*ft]	
0.00	0.00	0.00	0.00	0.00	0.00	
ASD*	+Fx	-Fx	+Fy	-Fy	+Fz	-Fz
	[kip]	[kip]	[kip]	[kip]	[kip]	[kip]
	1.28	1.28	0.00	0.00	3.44	3.44
	+Mx	-Mx	+My	-My	+Mz	-Mz
[kip*ft]	[kip*ft]	[kip*ft]	[kip*ft]	[kip*ft]	[kip*ft]	
0.00	0.00	0.00	0.00	0.00	0.00	

Interaction for LRFD

$$\frac{P_{ux}}{F_x} + \frac{V_{uy}}{F_y} + \frac{V_{uz}}{F_z} + \frac{M_{ux}}{M_x} + \frac{M_{uy}}{M_y} + \frac{M_{uz}}{M_z} \leq 1,00$$

Interaction for ASD:

$$\frac{P_{ax}}{F_x} + \frac{V_{ay}}{F_y} + \frac{V_{az}}{F_z} + \frac{M_{ax}}{M_x} + \frac{M_{ay}}{M_y} + \frac{M_{az}}{M_z} \leq 1,00$$

*Values already include LRFD strength reduction (Φ) or ASD safety (Ω) factors in accordance with AISI, and are based on nominal geometry.



In the US:

Hilti, Inc. (U.S.)
P.O. Box 21148 Tulsa, OK 74121
Customer Service: 1-800-879-8000
en español: 1-800-879-5000
Fax: 1-800-879-7000

www.us.hilti.com

Hilti is an equal opportunity employer
Hilti is a registered trademark of Hilti, Corp.
©Copyright 2017 by Hilti, Inc. (U.S.)

In Canada:

Hilti (Canada) Corporation
2360 Meadowpine Blvd.
Mississauga, Ontario, L5N 6S2
Customer Service: 1-800-363-4458
Fax: 1-800-363-4459

www.hilti.ca

The data contained in this literature was current as of the date of publication. Updates and changes may be made based on later testing. If verification is needed that the data is still current, please contact the Hilti Technical Support Specialists at 1-800-879-8000 (U.S.) or 1-800-363-4458 (Canada). All published load values contained in this literature represent the result of testing by Hilti or test organizations. Local base materials were used. Because of variations in materials, on-site testing is necessary to determinate performance at any specific site.